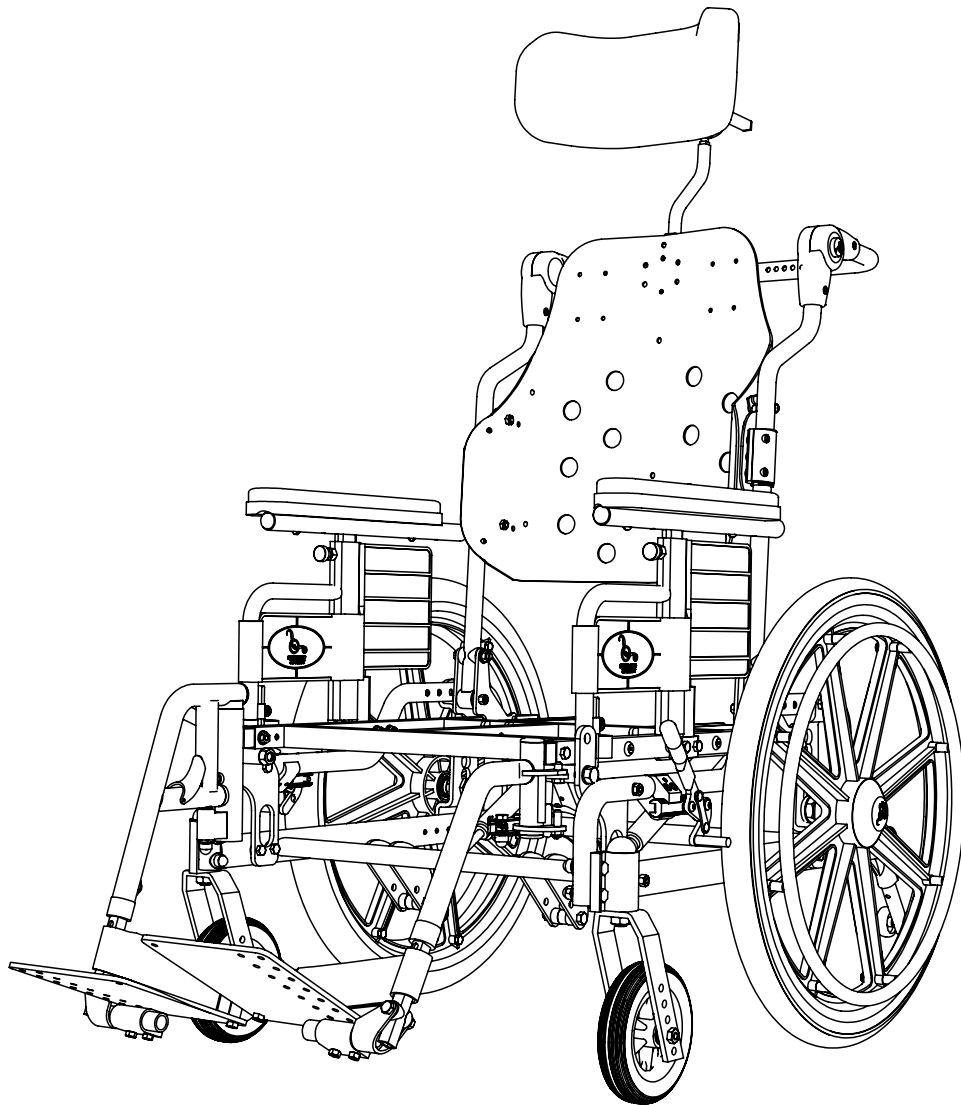


TILT

EXTREME

# ***EXTREME***

## PARTS BOOK



# CONTENTS

## FRAMES

EXTREME - UPPER FRAME .....	6
EXTREME - UPPER FRAME (RECLINE) .....	8
EXTREME - LOWER FRAME .....	10
EXTREME - LOWER FRAME (ATTENDANT BRAKE) .....	12

## SEATS

ABS SEAT PAN .....	14
AMPUTEE BOARD ON FOOTREST .....	16
AMPUTEE SEAT PAN .....	18

## ARMS

ARM REST - REGULAR .....	20
ARM REST - REGULAR SHORT .....	21
ARM REST - FLIP BACK .....	22
ARM REST - FLIP BACK SHORT .....	24
ARM TOP .....	26
ARM PADS .....	28
ARM BLOCK - STANDARD .....	29

## FOOTRESTS

PIVOT FOOTREST .....	30
PIN-STYLE FOOTREST .....	32
ELEVATING LEGREST PIVOT .....	34
ARTICULATING LEGREST PIVOT .....	36
ELEVATING LEGREST PIN-STYLE .....	38
ARTICULATING LEGREST PIN-STYLE .....	40
70 DEGREE PIVOT FOOTREST .....	42
ONE PIECE FOOT BOARD .....	43
PIVOT FOOTREST RECEIVER OFFSET .....	44
PIVOT FOOTREST RECEIVER .....	45
PIN-STYLE FOOTREST RECEIVER .....	46
GUARD COVERS .....	47
ELEVATING LEGREST SYSTEM ONE PIECE .....	48
FOOTBOX .....	50
FOOT POCKET .....	52

## HEADRESTS

MULTI AXIS NECK (S-BEND) .....	54
MULTI AXIS NECK (L-BEND) .....	55
VERTICAL HORIZONTAL NECK 1/2 .....	56
VERTICAL HORIZONTAL NECK 3/4 .....	57
VERTICAL HORIZONTAL MULTI-AXIS NECK 1/2 .....	58
STRAIGHT HEADREST MOUNTING BRACKET .....	59
HEADREST PADS .....	60
UNIVERSAL HEADREST MOUNT .....	61
HEADREST MOUNT 1/2 .....	62
HEADREST MOUNT 3/4 .....	63
LATERAL FIXED STANDARD .....	64
LATERAL FIXED SHORT .....	65
LATERAL FIXED LONG .....	66
LATERAL MULTI-AXIS 90 .....	67

## **SPREADER BARS**

SPREADER BAR - FIXED BAR, FIXED JOINT . . . . .	68
SPREADER BAR - ADJUSTABLE BAR & JOINT . . . . .	69
SPREADER BAR - ADJUSTABLE BAR & JOINT, RECLINE . . . . .	70
SPREADER BAR - FIXED BAR, ADJUSTABLE JOINT . . . . .	71
SPREADER BAR - FIXED BAR, ADJUSTABLE JOINT, RECLINE . . . . .	72
SPREADER BAR - ADJUSTABLE BAR, FIXED JOINT, HEADREST MOUNT . . . . .	73

## **BACKPOST**

ANGLE ADJUSTABLE BACK . . . . .	74
ANGLE ADJUSTABLE FLIP BACK . . . . .	75
BACK PINS . . . . .	76
BACKPOST CLAMP . . . . .	77
BACKPOST REGULAR . . . . .	78
BACKPOST ENDOMORPH OUT . . . . .	79
BACKPOST ENDOMORPH IN . . . . .	80

## **CYLINDERS**

TILT CYLINDERS (EXTREME) . . . . .	82
TILT CYLINDER CABLE (EXTREME) . . . . .	83
RECLINE BACK (EXTREME) . . . . .	84
RECLINE BACK CABLE (EXTREME) . . . . .	86

## **ANTI-TIPPERS**

ANTI-TIPPER . . . . .	88
ANTI-TIPPER SHORT . . . . .	89

## **WHEEL LOCKS**

ALUMINUM WHEEL LOCK . . . . .	90
STEEL WHEEL LOCK . . . . .	91
ONE HANDED WHEEL LOCK . . . . .	92

## **PLATES & AXLES**

EXTREME - AXLE PLATE . . . . .	93
AXLE . . . . .	94

## **REAR WHEELS**

COMPOSITE WHEEL . . . . .	96
SPOKE WHEEL . . . . .	98
COMPOSITE WHEEL HEAVY DUTY . . . . .	99

## **CASTERS**

CASTERS AND FORKS . . . . .	100
TILT CHAIR - CASTER MOUNT . . . . .	102

## **ACCESSORIES**

I.V. POLE OFFSET . . . . .	104
I.V. POLE STRAIGHT . . . . .	105
OXYGEN TANK HOLDER . . . . .	106
ADDUCTOR WEDGE - P-CLIP . . . . .	107
ADDUCTOR - L-BRACKET . . . . .	108
ADDUCTOR - P-CLIP . . . . .	109
AUTO-STYLE BELT . . . . .	110
NYLON LEG STRAP . . . . .	112
LEG CHANNEL . . . . .	113
TILT CHAIR - TIE DOWN - FRONT . . . . .	114
TILT CHAIR - TIE DOWN - REAR . . . . .	115

**TRAYS**

FULL TRAY - LOCKING ..... 116  
FULL TRAY - SLIDE ON ..... 117  
HALF TRAY - SLIDE ON ..... 118  
TROUGH TRAY - SLIDE ON ..... 119

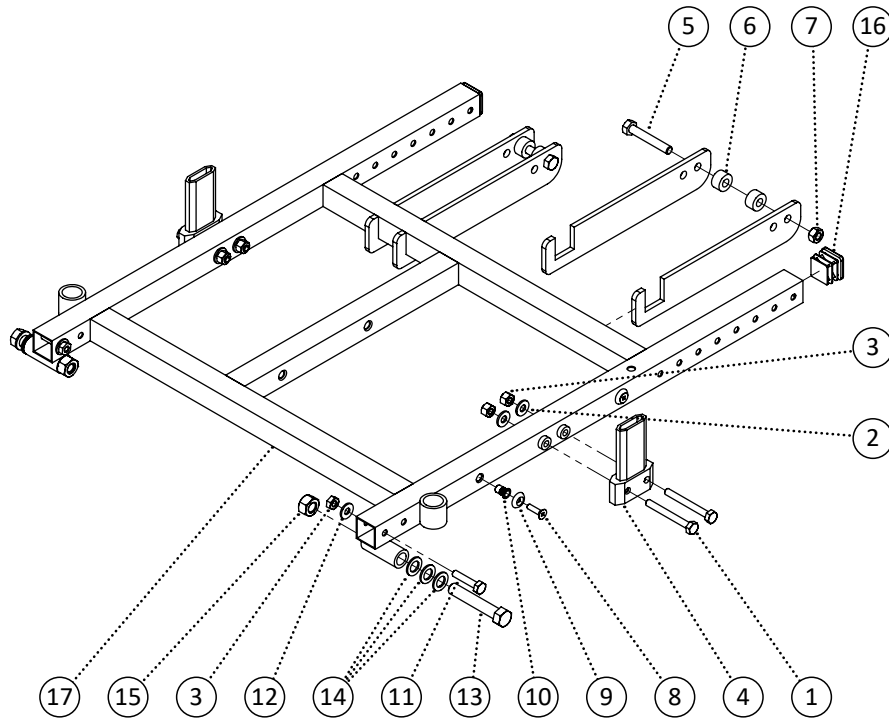
**REFERENCE INDEX**

At Power Plus Mobility, we care!

Thank you for choosing a wheelchair from Power Plus Mobility Inc. We are always improving in our ways to serve you better and would love to hear your questions or comments about our literatures, the reliability of our chairs and service you received while making the decision of choosing our wheelchair. Please feel free to contact us via our email address: [customer@powerplusmobility.com](mailto:customer@powerplusmobility.com)

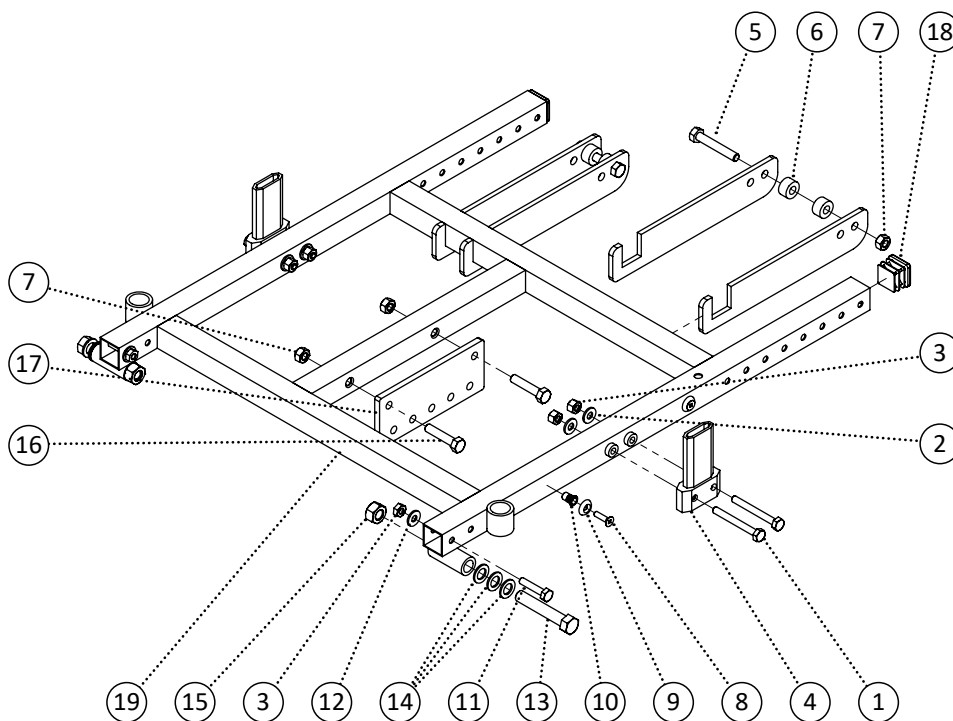
## QUESTIONS REGARDING YOUR WHEELCHAIR?

The best way to get your questions answered is by your authorized wheelchair dealer since they know your wheelchair and have the training for it. Please fill in your dealers information below so you have it handy just in case you have any questions or concerns about your wheelchair. Your dealer will guide you on the right direction to take any further steps.



Item	REF Number	Description	Quantity	MSRP	Notes
1	549335	Screw, Hex Bolt 1/4-20 x 2-1/4	4		
2	549423	Washer, Flat Washer 1/4 ID. x 5/8 OD.	6		
3	548859	Nut, Nylon Lock Nut 1/4-20	6		
4	548406	Block, Arm Block Extrusion Regular	2		
5	549339	Screw, Hex Bolt 5/16-18 x 2	2		
6	549394	Spacer, Nylon Spacer 8.3mm ID. x 18mm OD. x .10mmthk	4		
7	548862	Nut, Nylon Lock Nut 5/16-18	2		
8	549324	Screw, Flat Head 10-32 x 3/4	4		
9	549418	Washer, Finishing Washer #10	4		
10	548879	Nut, Rivet Nut 10-32	4		
11	549329	Screw, Hex Bolt 1/4-20 x 1-1/4	2		
12	549428	Washer, Nylon Washer .265ID x 5/8 OD x .063th	2		
13	549344	Screw, Hex Bolt 7/16-14 x 2-1/2	2		
14	549432	Washer, Nylon Washer 7/16 ID. x 3/4 OD. x .063thk	6		
15	548864	Nut, Nylon Lock Nut 7/16-14	2		
16	548478	Cap, 1 Square Cap	2		
17	549048	PPM, EXT Upper Frame 16 x 16	1		
18	549049	PPM, EXT Upper Frame 16 x 17	1		
19	549050	PPM, EXT Upper Frame 16 x 18	1		

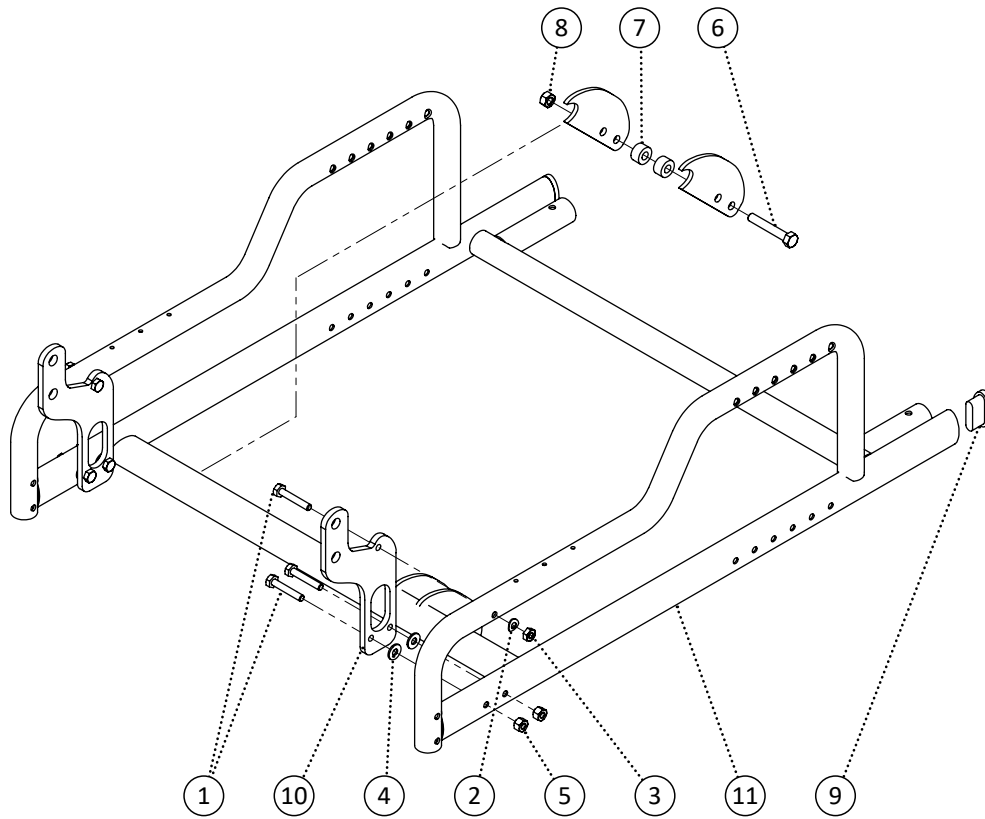
Item	REF Number	Description	Quantity	MSRP	Notes
20	549051	PPM, EXT Upper Frame 16 x 19	1		
21	549052	PPM, EXT Upper Frame 16 x 20	1		
22	549053	PPM, EXT Upper Frame 17 x 16	1		
23	549054	PPM, EXT Upper Frame 17 x 17	1		
24	549055	PPM, EXT Upper Frame 17 x 18	1		
25	549056	PPM, EXT Upper Frame 17 x 19	1		
26	549057	PPM, EXT Upper Frame 17 x 20	1		
27	549058	PPM, EXT Upper Frame 18 x 16	1		
28	549059	PPM, EXT Upper Frame 18 x 17	1		
29	549060	PPM, EXT Upper Frame 18 x 18	1		
30	549061	PPM, EXT Upper Frame 18 x 19	1		
31	549062	PPM, EXT Upper Frame 18 x 20	1		
32	549063	PPM, EXT Upper Frame 19 x 16	1		
33	549064	PPM, EXT Upper Frame 19 x 17	1		
34	549065	PPM, EXT Upper Frame 19 x 18	1		
35	549066	PPM, EXT Upper Frame 19 x 19	1		
36	549067	PPM, EXT Upper Frame 19 x 20	1		
37	549068	PPM, EXT Upper Frame 20 x 16	1		
38	549069	PPM, EXT Upper Frame 20 x 17	1		
39	549070	PPM, EXT Upper Frame 20 x 18	1		
40	549071	PPM, EXT Upper Frame 20 x 19	1		
41	549072	PPM, EXT Upper Frame 20 x 20	1		



Item	REF Number	Description	Quantity	MSRP	Notes
1	549335	Screw, Hex Bolt 1/4-20 x 2-1/4	4		
2	549423	Washer, Flat Washer 1/4 ID. x 5/8 OD.	6		
3	548859	Nut, Nylon Lock Nut 1/4-20	6		
4	548406	Block, Arm Block Extrusion Regular	2		
5	549339	Screw, Hex Bolt 5/16-18 x 2	2		
6	549394	Spacer, Nylon Spacer 8.3mm ID. x 18mm OD. x .10mmthk	4		
7	548862	Nut, Nylon Lock Nut 5/16-18	4		
8	549324	Screw, Flat Head 10-32 x 3/4	4		
9	549418	Washer, Finishing Washer #10	4		
10	548879	Nut, Rivet Nut 10-32	4		
11	549329	Screw, Hex Bolt 1/4-20 x 1-1/4	2		
12	549428	Washer, Nylon Washer .265ID x 5/8 OD x .063th	2		
13	549344	Screw, Hex Bolt 7/16-14 x 2-1/2	2		
14	549432	Washer, Nylon Washer 7/16 ID. x 3/4 OD. x .063thk	6		
15	548864	Nut, Nylon Lock Nut 7/16-14	2		
16	549337	Screw, Hex Bolt 5/16-18 x 1-1/2	2		
17	549047	PPM, EXT Recline Cylinder Bracket	2		
18	548478	Cap, 1 Square Cap	2		
19	549048	PPM, EXT Upper Frame 16 x 16	1		

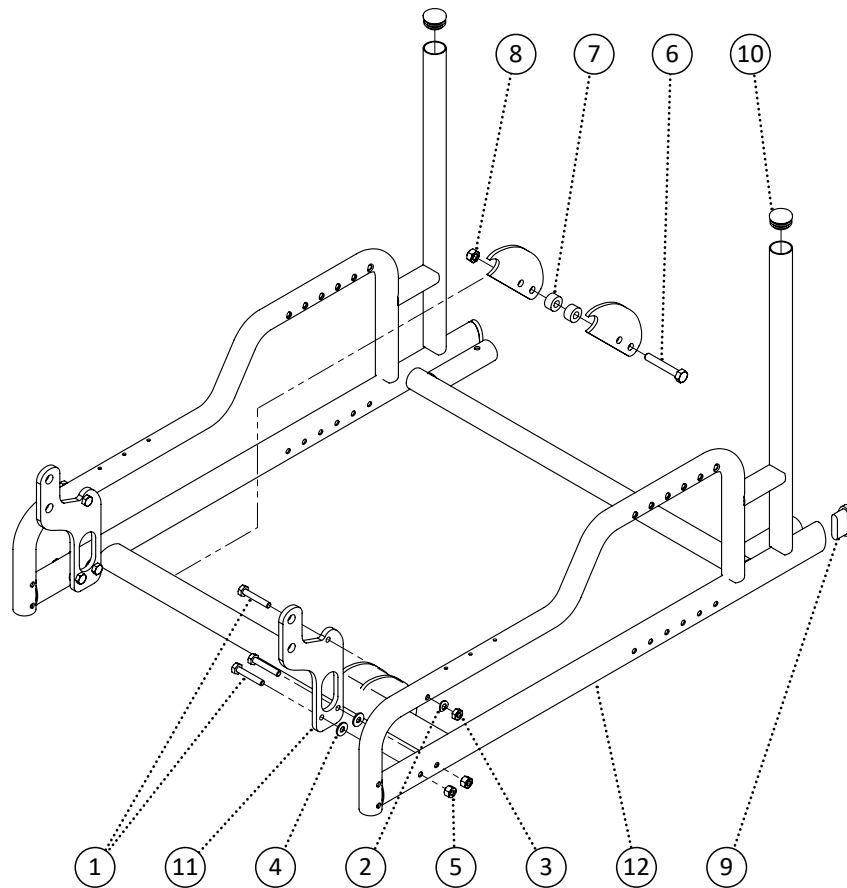


Item	REF Number	Description	Quantity	MSRP	Notes
20	549049	PPM, EXT Upper Frame 16 x 17	1		
21	549050	PPM, EXT Upper Frame 16 x 18	1		
22	549051	PPM, EXT Upper Frame 16 x 19	1		
23	549052	PPM, EXT Upper Frame 16 x 20	1		
24	549053	PPM, EXT Upper Frame 17 x 16	1		
25	549054	PPM, EXT Upper Frame 17 x 17	1		
26	549055	PPM, EXT Upper Frame 17 x 18	1		
27	549056	PPM, EXT Upper Frame 17 x 19	1		
28	549057	PPM, EXT Upper Frame 17 x 20	1		
29	549058	PPM, EXT Upper Frame 18 x 16	1		
30	549059	PPM, EXT Upper Frame 18 x 17	1		
31	549060	PPM, EXT Upper Frame 18 x 18	1		
32	549061	PPM, EXT Upper Frame 18 x 19	1		
33	549062	PPM, EXT Upper Frame 18 x 20	1		
34	549063	PPM, EXT Upper Frame 19 x 16	1		
35	549064	PPM, EXT Upper Frame 19 x 17	1		
36	549065	PPM, EXT Upper Frame 19 x 18	1		
37	549066	PPM, EXT Upper Frame 19 x 19	1		
38	549067	PPM, EXT Upper Frame 19 x 20	1		
39	549068	PPM, EXT Upper Frame 20 x 16	1		
40	549069	PPM, EXT Upper Frame 20 x 17	1		
41	549070	PPM, EXT Upper Frame 20 x 18	1		
42	549071	PPM, EXT Upper Frame 20 x 19	1		
43	549072	PPM, EXT Upper Frame 20 x 20	1		



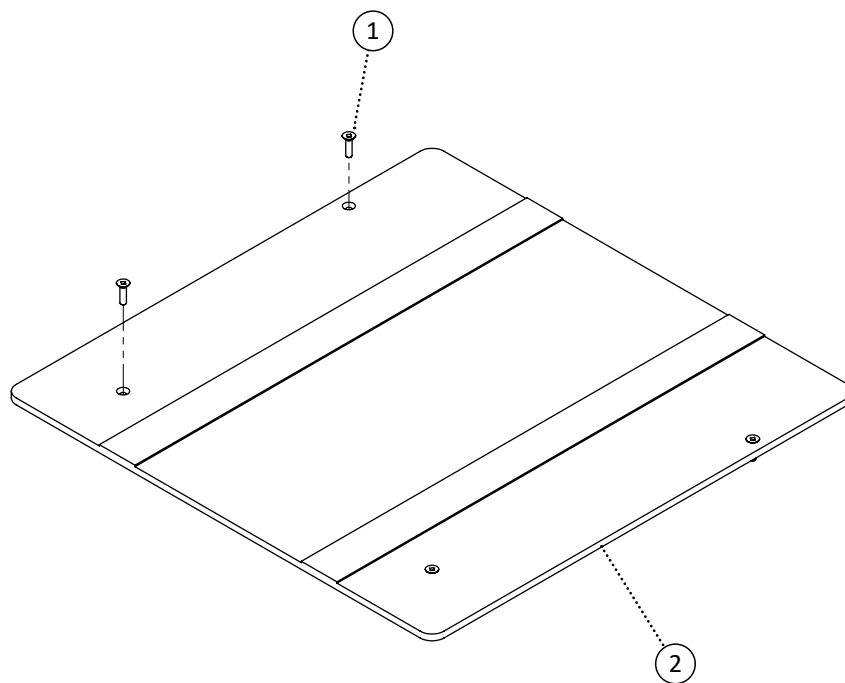
Item	REF Number	Description	Quantity	MSRP	Notes
1	549327	Screw, Hex Bolt 1/4-20 x 1-1/2	6		
2	549414	Washer, Curved Washer 1/4 ID. x 1/2 OD. x .037thk	2		
3	548870	Nut, Nylon Lock Nut Thin 1/4-20	2		
4	549428	Washer, Nylon Washer .265ID x 5/8 OD x .063th	4		
5	548859	Nut, Nylon Lock Nut 1/4-20	4		
6	549339	Screw, Hex Bolt 5/16-18 x 2	2		
7	549394	Spacer, Nylon Spacer 8.3mm ID. x 18mm OD. x .10mmthk	4		
8	548862	Nut, Nylon Lock Nut 5/16-18	2		
9	548493	Cap, Oval Cap	2		
10	548434	Bracket, EXT Tilt Bracket	2		
11	549022	PPM, EXT Lower Frame 16 x 16	1		
12	549023	PPM, EXT Lower Frame 16 x 17	1		
13	549024	PPM, EXT Lower Frame 16 x 18	1		
14	549025	PPM, EXT Lower Frame 16 x 19	1		
15	549026	PPM, EXT Lower Frame 16 x 20	1		
16	549027	PPM, EXT Lower Frame 17 x 16	1		
17	549028	PPM, EXT Lower Frame 17 x 17	1		
18	549029	PPM, EXT Lower Frame 17 x 18	1		
19	549030	PPM, EXT Lower Frame 17 x 19	1		

Item	REF Number	Description	Quantity	MSRP	Notes
20	549031	PPM, EXT Lower Frame 17 x 20	1		
21	549032	PPM, EXT Lower Frame 18 x 16	1		
22	549033	PPM, EXT Lower Frame 18 x 17	1		
23	549034	PPM, EXT Lower Frame 18 x 18	1		
24	549035	PPM, EXT Lower Frame 18 x 19	1		
25	549036	PPM, EXT Lower Frame 18 x 20	1		
26	549037	PPM, EXT Lower Frame 19 x 16	1		
27	549038	PPM, EXT Lower Frame 19 x 17	1		
28	549039	PPM, EXT Lower Frame 19 x 18	1		
29	549040	PPM, EXT Lower Frame 19 x 19	1		
30	549041	PPM, EXT Lower Frame 19 x 20	1		
31	549042	PPM, EXT Lower Frame 20 x 16	1		
32	549043	PPM, EXT Lower Frame 20 x 17	1		
33	549044	PPM, EXT Lower Frame 20 x 18	1		
34	549045	PPM, EXT Lower Frame 20 x 19	1		
35	549046	PPM, EXT Lower Frame 20 x 20	1		



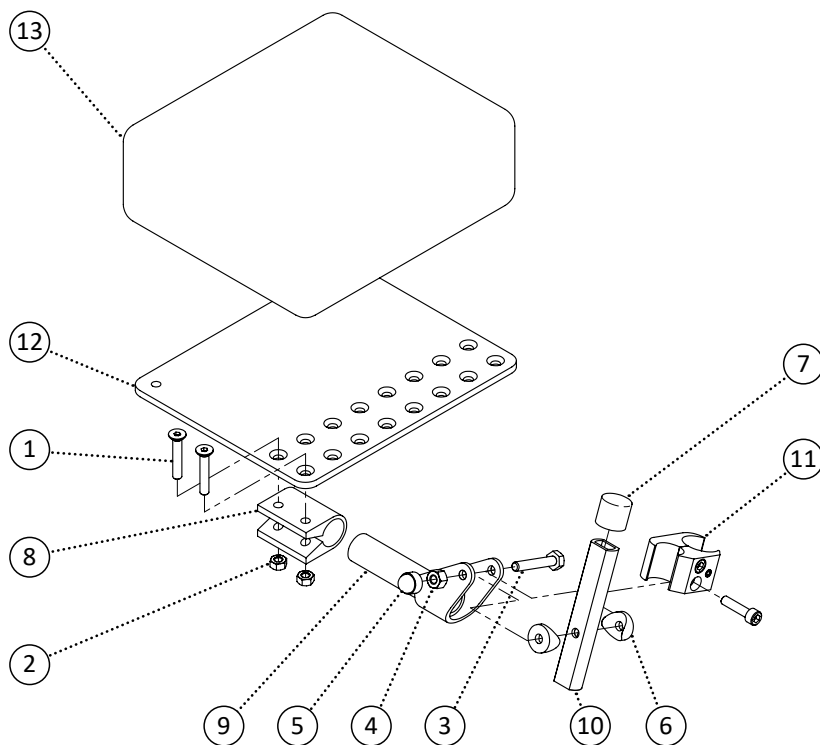
Item	REF Number	Description	Quantity	MSRP	Notes
1	549327	Screw, Hex Bolt 1/4-20 x 1-1/2	6		
2	549414	Washer, Curved Washer 1/4 ID. x 1/2 OD. x .037thk	2		
3	548870	Nut, Nylon Lock Nut Thin 1/4-20	2		
4	549428	Washer, Nylon Washer .265ID x 5/8 OD x .063th	4		
5	548859	Nut, Nylon Lock Nut 1/4-20	4		
6	549339	Screw, Hex Bolt 5/16-18 x 2	2		
7	549394	Spacer, Nylon Spacer 8.3mm ID. x 18mm OD. x .10mmthk	4		
8	548862	Nut, Nylon Lock Nut 5/16-18	2		
9	548493	Cap, Oval Cap	2		
10	548496	Cap, Round Plug 1 x 18ga	2		
11	548434	Bracket, EXT Tilt Bracket	2		
12	548997	PPM, EXT Lower Frame (Attendant Brake) 16 x 16	1		
13	548998	PPM, EXT Lower Frame (Attendant Brake) 16 x 17	1		
14	548999	PPM, EXT Lower Frame (Attendant Brake) 16 x 18	1		
15	549000	PPM, EXT Lower Frame (Attendant Brake) 16 x 19	1		
16	549001	PPM, EXT Lower Frame (Attendant Brake) 16 x 20	1		
17	549002	PPM, EXT Lower Frame (Attendant Brake) 17 x 16	1		
18	549003	PPM, EXT Lower Frame (Attendant Brake) 17 x 17	1		
19	549004	PPM, EXT Lower Frame (Attendant Brake) 17 x 18	1		

Item	REF Number	Description	Quantity	MSRP	Notes
20	549005	PPM, EXT Lower Frame (Attendant Brake) 17 x 19	1		
21	549006	PPM, EXT Lower Frame (Attendant Brake) 17 x 20	1		
22	549007	PPM, EXT Lower Frame (Attendant Brake) 18 x 16	1		
23	549008	PPM, EXT Lower Frame (Attendant Brake) 18 x 17	1		
24	549009	PPM, EXT Lower Frame (Attendant Brake) 18 x 18	1		
25	549010	PPM, EXT Lower Frame (Attendant Brake) 18 x 19	1		
26	549011	PPM, EXT Lower Frame (Attendant Brake) 18 x 20	1		
27	549012	PPM, EXT Lower Frame (Attendant Brake) 19 x 16	1		
28	549013	PPM, EXT Lower Frame (Attendant Brake) 19 x 17	1		
29	549014	PPM, EXT Lower Frame (Attendant Brake) 19 x 18	1		
30	549015	PPM, EXT Lower Frame (Attendant Brake) 19 x 19	1		
31	549016	PPM, EXT Lower Frame (Attendant Brake) 19 x 20	1		
32	549017	PPM, EXT Lower Frame (Attendant Brake) 20 x 16	1		
33	549018	PPM, EXT Lower Frame (Attendant Brake) 20 x 17	1		
34	549019	PPM, EXT Lower Frame (Attendant Brake) 20 x 18	1		
35	549020	PPM, EXT Lower Frame (Attendant Brake) 20 x 19	1		
36	549021	PPM, EXT Lower Frame (Attendant Brake) 20 x 20	1		



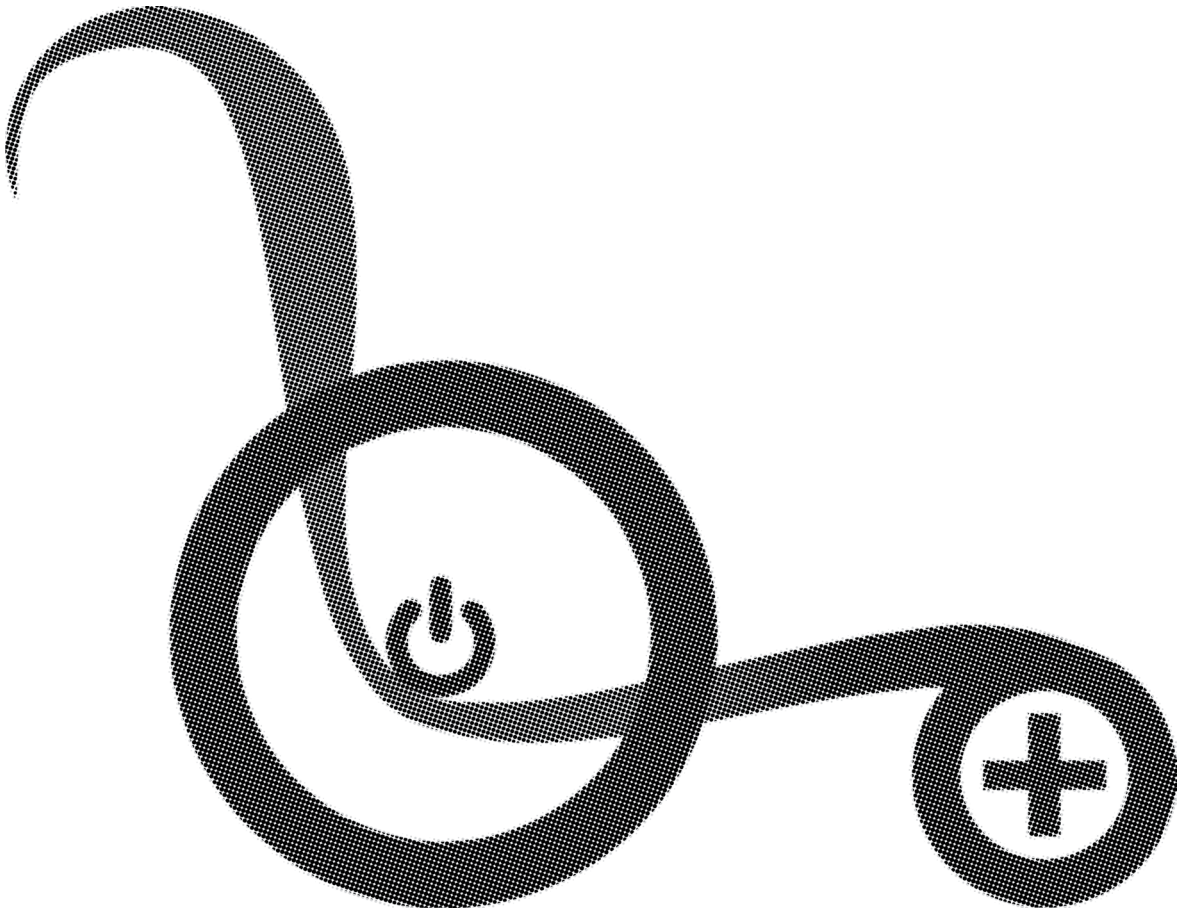
Item	REF Number	Description	Quantity	MSRP	Notes
1	549324	Screw, Flat Head 10-32 x 3/4	4		
2	549736	PPM, ABS Seat Pan 16 x 16 x 1/4	1		
3	549737	PPM, ABS Seat Pan 16 x 17 x 1/4	1		
4	549738	PPM, ABS Seat Pan 16 x 18 x 1/4	1		
5	549739	PPM, ABS Seat Pan 16 x 19 x 1/4	1		
6	549740	PPM, ABS Seat Pan 16 x 20 x 1/4	1		
7	549741	PPM, ABS Seat Pan 18 x 16 x 1/4	1		
8	549742	PPM, ABS Seat Pan 18 x 17 x 1/4	1		
9	549743	PPM, ABS Seat Pan 18 x 18 x 1/4	1		
10	549744	PPM, ABS Seat Pan 18 x 19 x 1/4	1		
11	549745	PPM, ABS Seat Pan 18 x 20 x 1/4	1		
12	549746	PPM, ABS Seat Pan 19 x 16 x 1/4	1		
13	549747	PPM, ABS Seat Pan 19 x 17 x 1/4	1		
14	549748	PPM, ABS Seat Pan 19 x 18 x 1/4	1		
15	549749	PPM, ABS Seat Pan 19 x 19 x 1/4	1		
16	549750	PPM, ABS Seat Pan 19 x 20 x 1/4	1		
17	549751	PPM, ABS Seat Pan 20 x 16 x 1/4	1		
18	549752	PPM, ABS Seat Pan 20 x 17 x 1/4	1		
19	549753	PPM, ABS Seat Pan 20 x 18 x 1/4	1		

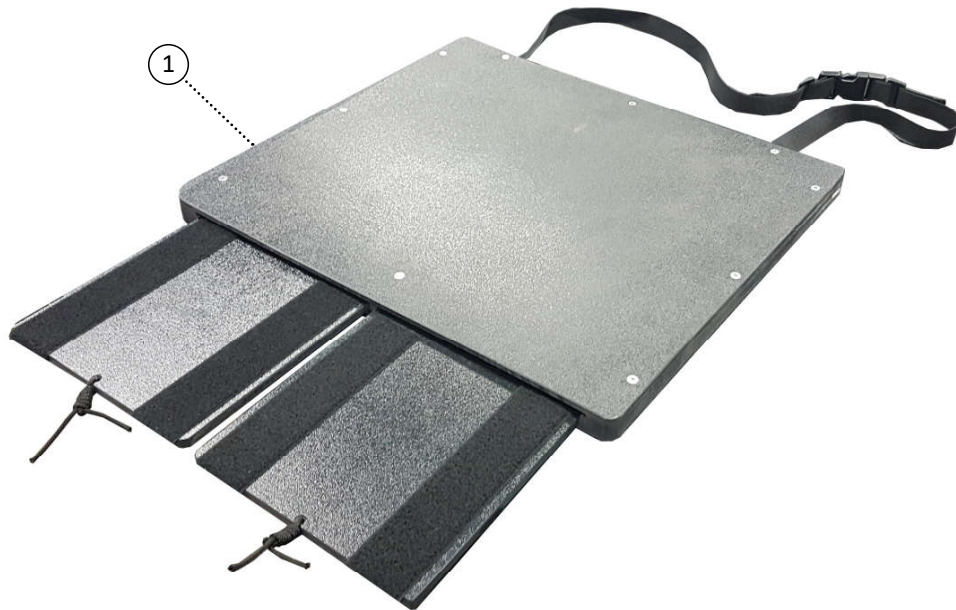
Item	REF Number	Description	Quantity	MSRP	Notes
20	549754	PPM, ABS Seat Pan 20 x 19 x 1/4	1		
21	549755	PPM, ABS Seat Pan 20 x 20 x 1/4	1		
22	549756	PPM, ABS Seat Pan 16 x 16 x 3/8	1		
23	549757	PPM, ABS Seat Pan 16 x 17 x 3/8	1		
24	549758	PPM, ABS Seat Pan 16 x 18 x 3/8	1		
25	549759	PPM, ABS Seat Pan 16 x 19 x 3/8	1		
26	549760	PPM, ABS Seat Pan 16 x 20 x 3/8	1		
27	549761	PPM, ABS Seat Pan 18 x 16 x 3/8	1		
28	549762	PPM, ABS Seat Pan 18 x 17 x 3/8	1		
29	549763	PPM, ABS Seat Pan 18 x 18 x 3/8	1		
30	549764	PPM, ABS Seat Pan 18 x 19 x 3/8	1		
31	549765	PPM, ABS Seat Pan 18 x 20 x 3/8	1		
32	549766	PPM, ABS Seat Pan 19 x 16 x 3/8	1		
33	549767	PPM, ABS Seat Pan 19 x 17 x 3/8	1		
34	549768	PPM, ABS Seat Pan 19 x 18 x 3/8	1		
35	549769	PPM, ABS Seat Pan 19 x 19 x 3/8	1		
36	549770	PPM, ABS Seat Pan 19 x 20 x 3/8	1		
37	549771	PPM, ABS Seat Pan 20 x 16 x 3/8	1		
38	549772	PPM, ABS Seat Pan 20 x 17 x 3/8	1		
39	549773	PPM, ABS Seat Pan 20 x 18 x 3/8	1		
40	549774	PPM, ABS Seat Pan 20 x 19 x 3/8	1		
41	549775	PPM, ABS Seat Pan 20 x 20 x 3/8	1		



Item	REF Number	Description	Quantity	MSRP	Notes
1	549325	Screw, Flat Head M6-1.0 x 30	2		
2	548866	Nut, Nylon Lock Nut M6-1.0	2		
3	549327	Screw, Hex Bolt 1/4-20 x 1-1/2	1		
4	548859	Nut, Nylon Lock Nut 1/4-20	1		
5	548480	Cap, 1/4 Nut Cap	1		
6	549434	Washer, Radius Washer 1/4 ID. x 3/4 OD. x 3/4cu	2		
7	549731	Cap, 3/4 Short Rubber Cap	1		
8	548521	Footplate, Angle Adjust Hinge Clamp	1		
9	548522	Footplate, Angle Adjust Hinge Clamp Extension	1		
10	549732	PPM, Angle Adjust Extension Amputee Board	1		
11	548505	Clamp, Aluminum Brake Clamp	1		
12	548523	Footplate, Angle Adjust Plate	1		
13	549733	Padding, Amputee Board on Footrest Pad	1		
<b>1-13</b>	<b>549734</b>	<b>Kit, Amputee Board on Footrest Left Complete</b>	<b>1</b>		
<b>1-13</b>	<b>549735</b>	<b>Kit, Amputee Board on Footrest Right Complete</b>	<b>1</b>		



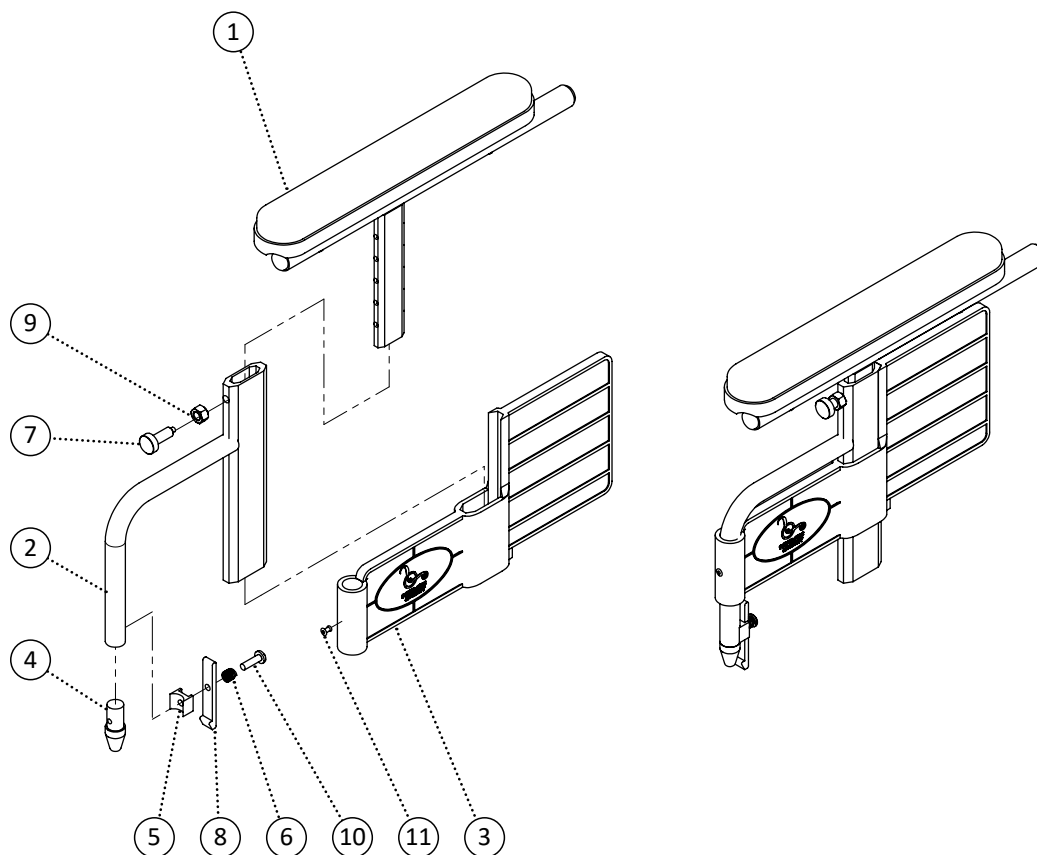




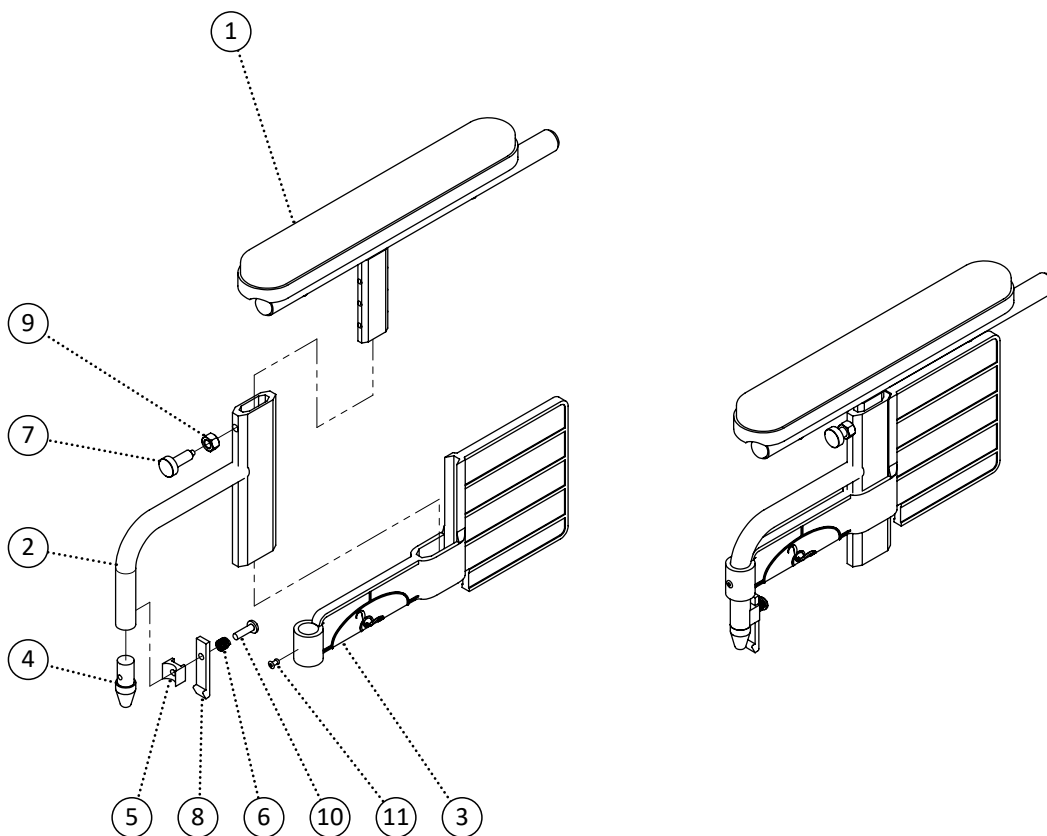
Item	REF Number	Description	Quantity	MSRP	Notes
1	549870	PPM, Amputee Seat Pan 16 x 16	1		
2	549871	PPM, Amputee Seat Pan 16 x 18	1		
3	549872	PPM, Amputee Seat Pan 16 x 20	1		
4	549873	PPM, Amputee Seat Pan 16 x 22	1		
5	549874	PPM, Amputee Seat Pan 16 x 24	1		
6	549875	PPM, Amputee Seat Pan 16 x 26	1		
7	549876	PPM, Amputee Seat Pan 16 x 28	1		
8	549877	PPM, Amputee Seat Pan 16 x 30	1		
9	549878	PPM, Amputee Seat Pan 18 x 16	1		
10	549879	PPM, Amputee Seat Pan 18 x 18	1		
11	549880	PPM, Amputee Seat Pan 18 x 20	1		
12	549881	PPM, Amputee Seat Pan 18 x 22	1		
13	549882	PPM, Amputee Seat Pan 18 x 24	1		
14	549883	PPM, Amputee Seat Pan 18 x 26	1		
15	549884	PPM, Amputee Seat Pan 18 x 28	1		
16	549885	PPM, Amputee Seat Pan 18 x 30	1		
17	549886	PPM, Amputee Seat Pan 20 x 16	1		
18	549887	PPM, Amputee Seat Pan 20 x 18	1		
19	549888	PPM, Amputee Seat Pan 20 x 20	1		
20	549889	PPM, Amputee Seat Pan 20 x 22	1		
21	549890	PPM, Amputee Seat Pan 20 x 24	1		
22	549891	PPM, Amputee Seat Pan 20 x 26	1		

Item	REF Number	Description	Quantity	MSRP	Notes
23	549892	PPM, Amputee Seat Pan 20 x 28	1		
24	549893	PPM, Amputee Seat Pan 20 x 30	1		
25	549894	PPM, Amputee Seat Pan 22 x 16	1		
26	549895	PPM, Amputee Seat Pan 22 x 18	1		
27	549896	PPM, Amputee Seat Pan 22 x 20	1		
28	549897	PPM, Amputee Seat Pan 22 x 22	1		
29	549898	PPM, Amputee Seat Pan 22 x 24	1		
30	549899	PPM, Amputee Seat Pan 22 x 26	1		
31	549900	PPM, Amputee Seat Pan 22 x 28	1		
32	549901	PPM, Amputee Seat Pan 22 x 30	1		
33	549902	PPM, Amputee Seat Pan 24 x 16	1		
34	549903	PPM, Amputee Seat Pan 24 x 18	1		
35	549904	PPM, Amputee Seat Pan 24 x 20	1		
36	549905	PPM, Amputee Seat Pan 24 x 22	1		
37	549906	PPM, Amputee Seat Pan 24 x 24	1		
38	549907	PPM, Amputee Seat Pan 24 x 26	1		
39	549908	PPM, Amputee Seat Pan 24 x 28	1		
40	549909	PPM, Amputee Seat Pan 24 x 30	1		
41	549910	PPM, Amputee Seat Pan 26 x 16	1		
42	549911	PPM, Amputee Seat Pan 26 x 18	1		
43	549912	PPM, Amputee Seat Pan 26 x 20	1		
44	549913	PPM, Amputee Seat Pan 26 x 22	1		
45	549914	PPM, Amputee Seat Pan 26 x 24	1		
46	549915	PPM, Amputee Seat Pan 26 x 26	1		
47	549916	PPM, Amputee Seat Pan 26 x 28	1		
48	549917	PPM, Amputee Seat Pan 26 x 30	1		
49	549918	PPM, Amputee Seat Pan 28 x 16	1		
50	549919	PPM, Amputee Seat Pan 28 x 18	1		
51	549920	PPM, Amputee Seat Pan 28 x 20	1		
52	549921	PPM, Amputee Seat Pan 28 x 22	1		
53	549922	PPM, Amputee Seat Pan 28 x 24	1		
54	549923	PPM, Amputee Seat Pan 28 x 26	1		
55	549924	PPM, Amputee Seat Pan 28 x 28	1		
56	549925	PPM, Amputee Seat Pan 28 x 30	1		
57	549926	PPM, Amputee Seat Pan 30 x 16	1		
58	549927	PPM, Amputee Seat Pan 30 x 18	1		
59	549928	PPM, Amputee Seat Pan 30 x 20	1		
60	549929	PPM, Amputee Seat Pan 30 x 22	1		
61	549930	PPM, Amputee Seat Pan 30 x 24	1		
62	549931	PPM, Amputee Seat Pan 30 x 26	1		
63	549932	PPM, Amputee Seat Pan 30 x 28	1		
64	549933	PPM, Amputee Seat Pan 30 x 30	1		

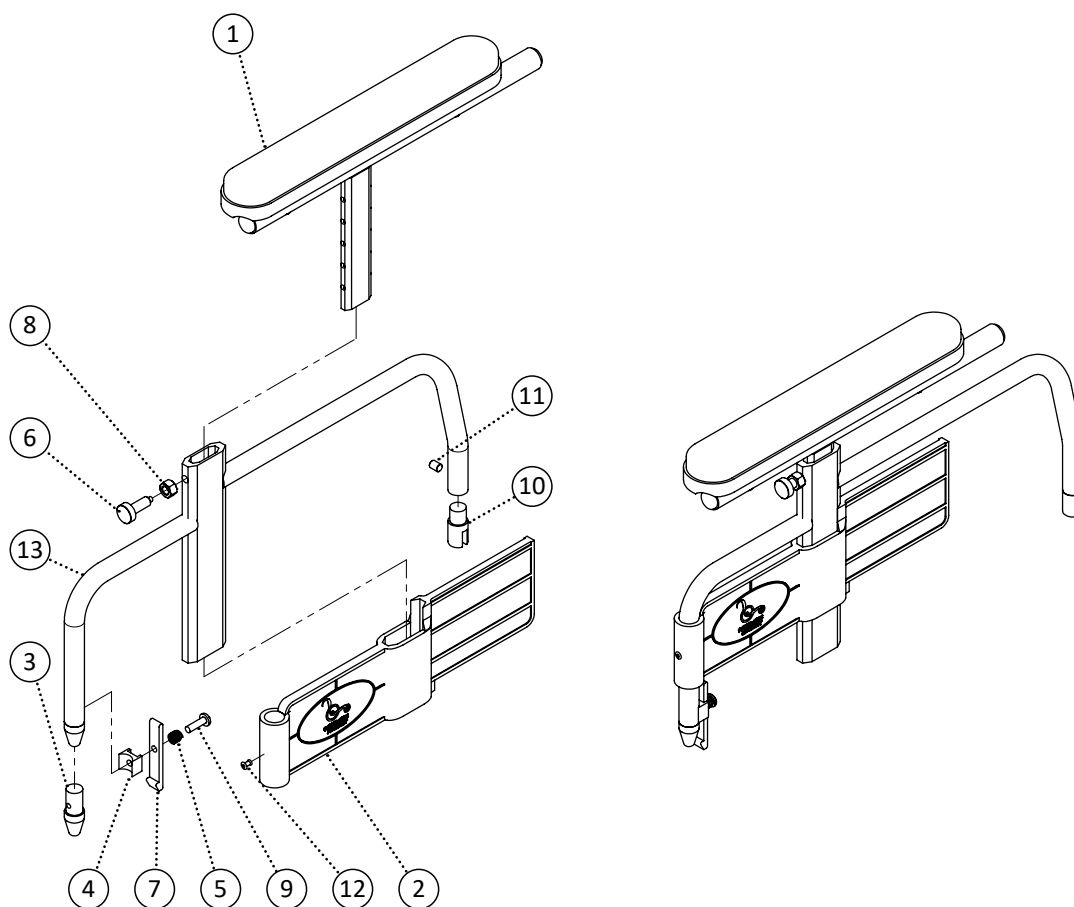
Note: This is for reference only. Contact for part numbers.



Item	REF Number	Description	Quantity	MSRP	Notes
1		Arm Tops - See Arm Tops page			
2	548930	PPM, Arm Base Female	1		
3	549293	PPM, Wheelchair Side Panel	1		
4	548483	Cap, Arm Lead In Locator	1		
5	549386	Spacer, Arm Release Lever Mount Block	1		
6	549396	Spring, Lever Compression Spring	1		
7	549356	Screw, Retractable Locking Knob	1		
8	548417	Bracket, Arm Release Lever Aluminum	1		
9	548855	Nut, Jam Nut 3/8-16	1		
10	549355	Screw, Pan Head Thread Screw Quadrex 1/4-14 x 1	1		
11	549311	Nut, Rivet Nut 5/32	1		
2-11	548610	Kit, Arm Rest Complete Kit Right	1		
2-11	548609	Kit, Arm Rest Complete Kit Left	1		

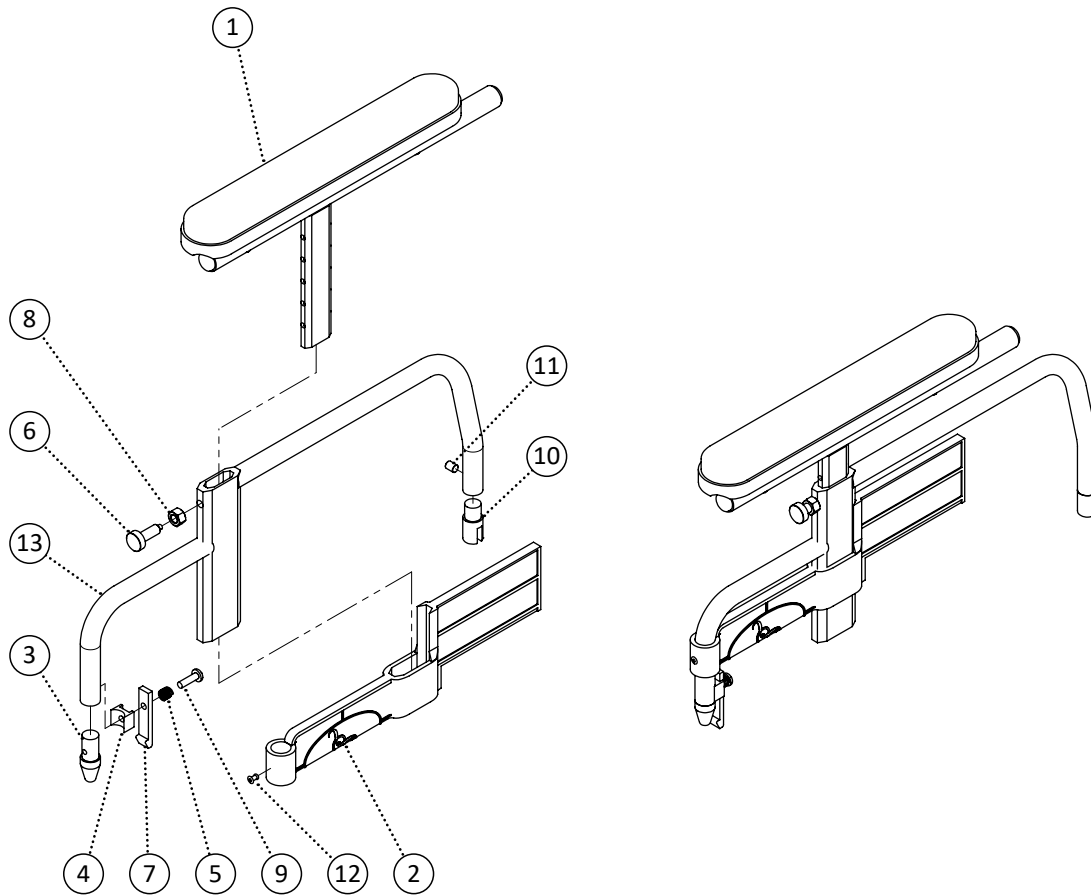


Item	REF Number	Description	Quantity	MSRP	Notes
1		Arm Tops - See Arm Tops page			
2	548933	PPM, Arm Base Female (Short)	1		
3	549296	PPM, Wheelchair Side Panel (Short)	1		
4	548483	Cap, Arm Lead In Locator	1		
5	549386	Spacer, Arm Release Lever Mount Block	1		
6	549396	Spring, Lever Compression Spring	1		
7	549356	Screw, Retractable Locking Knob	1		
8	548417	Bracket, Arm Release Lever Aluminum	1		
9	548855	Nut, Jam Nut 3/8-16	1		
10	549355	Screw, Pan Head Thread Screw Quadrex 1/4-14 x 1	1		
11	549311	Nut, Rivet Nut 5/32	1		
2-11	548608	Kit, Arm Rest (Short) Complete Kit Right	1		
2-11	548607	Kit, Arm Rest (Short) Complete Kit Left	1		



Item	REF Number	Description	Quantity	MSRP	Notes
1		Arm Tops	1		
2	549295	PPM, Wheelchair Side Panel (Flip Back)	1		
3	548483	Cap, Arm Lead In Locator	1		
4	549386	Spacer, Arm Release Lever Mount Block	1		
5	549396	Spring, Lever Compression Spring	1		
6	549356	Screw, Retractable Locking Knob	1		
7	548417	Bracket, Arm Release Lever Aluminum	1		
8	548855	Nut, Jam Nut 3/8-16	1		
9	549355	Screw, Pan Head Thread Screw Quadrex 1/4-14 x 1	1		
10	548458	Bushing, Aluminum Bushing Hinge 3/4	1		
11	549379	Screw, Socket Set Screw 1/4-20 x 3/8	1		
12	549311	Nut, Rivet Nut 5/32	1		
13	549650	PPM, Arm Base Female 16 Left (Flip Back)	1		
14	549651	PPM, Arm Base Female 16 Right (Flip Back)	1		
15	549652	PPM, Arm Base Female 18 Left (Flip Back)	1		
16	549653	PPM, Arm Base Female 18 Right (Flip Back)	1		
17	549654	PPM, Arm Base Female 20 Left (Flip Back)	1		
18	549655	PPM, Arm Base Female 20 Right (Flip Back)	1		
19	549656	PPM, Arm Base Female 22 Left (Flip Back)	1		

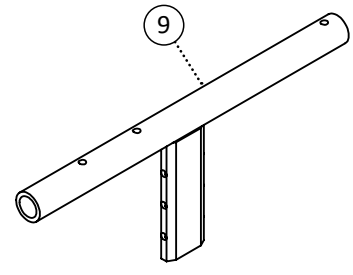
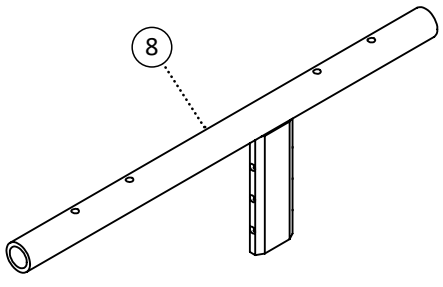
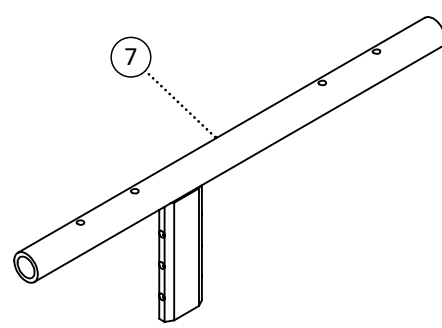
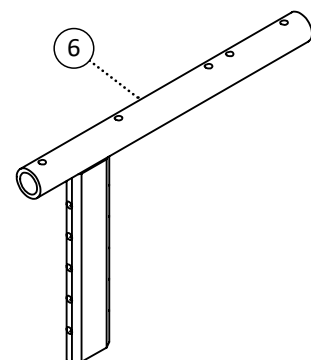
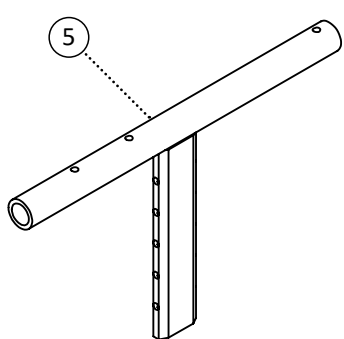
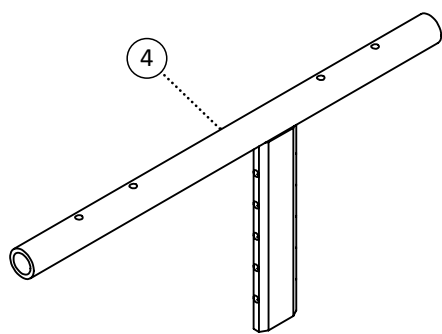
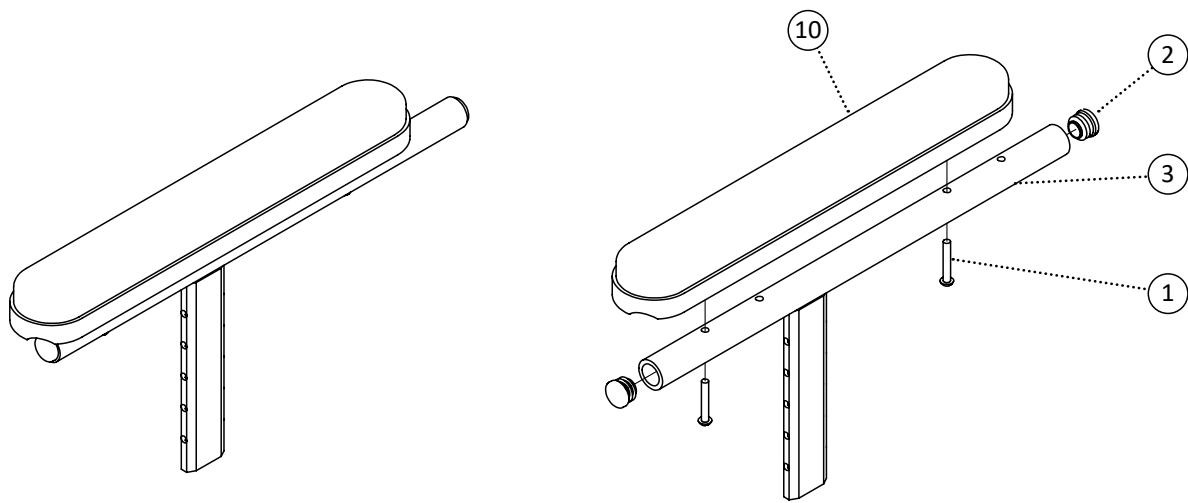
<b>Item</b>	<b>REF Number</b>	<b>Description</b>	<b>Quantity</b>	<b>MSRP</b>	<b>Notes</b>
20	549657	PPM, Arm Base Female 22 Right (Flip Back)	1		
1-12,13	549658	Kit, Arm Rest 16 Left (Flip Back) Complete	1		
1-12,14	549659	Kit, Arm Rest 16 Right (Flip Back) Complete	1		
1-12,15	549660	Kit, Arm Rest 18 Left (Flip Back) Complete	1		
1-12,16	549661	Kit, Arm Rest 18 Right (Flip Back) Complete	1		
1-12,17	549662	Kit, Arm Rest 20 Left (Flip Back) Complete	1		
1-12,18	549663	Kit, Arm Rest 20 Right (Flip Back) Complete	1		
1-12,19	549664	Kit, Arm Rest 22 Left (Flip Back) Complete	1		
1-12,20	549665	Kit, Arm Rest 22 Right (Flip Back) Complete	1		



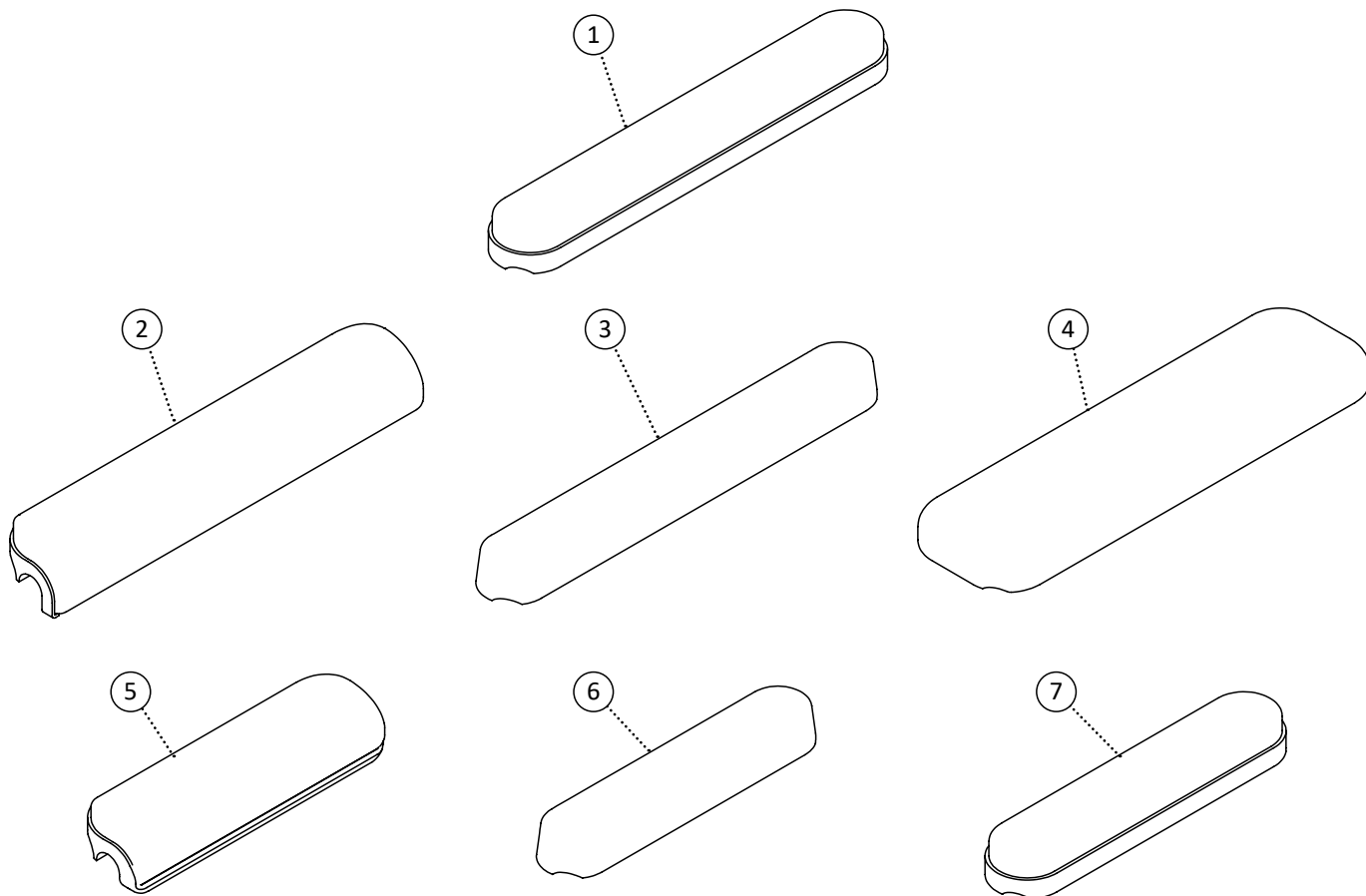
Item	REF Number	Description	Quantity	MSRP	Notes
1		Arm Tops	1		
2	549294	PPM, Wheelchair Side Panel (Flip Back Short)	1		
3	548483	Cap, Arm Lead In Locator	1		
4	549386	Spacer, Arm Release Lever Mount Block	1		
5	549396	Spring, Lever Compression Spring	1		
6	549356	Screw, Retractable Locking Knob	1		
7	548417	Bracket, Arm Release Lever Aluminum	1		
8	548855	Nut, Jam Nut 3/8-16	1		
9	549355	Screw, Pan Head Thread Screw Quadrex 1/4-14 x 1	1		
10	548458	Bushing, Aluminum Bushing Hinge 3/4	1		
11	549379	Screw, Socket Set Screw 1/4-20 x 3/8	1		
12	549311	Nut, Rivet Nut 5/32	1		
13	549666	PPM, Arm Base Female 16 Left (Flip Back Short)	1		
14	549667	PPM, Arm Base Female 16 Right (Flip Back Short)	1		
15	549668	PPM, Arm Base Female 18 Left (Flip Back Short)	1		
16	549669	PPM, Arm Base Female 18 Right (Flip Back Short)	1		
17	549670	PPM, Arm Base Female 20 Left (Flip Back Short)	1		
18	549671	PPM, Arm Base Female 20 Right (Flip Back Short)	1		
19	549672	PPM, Arm Base Female 22 Left (Flip Back Short)	1		



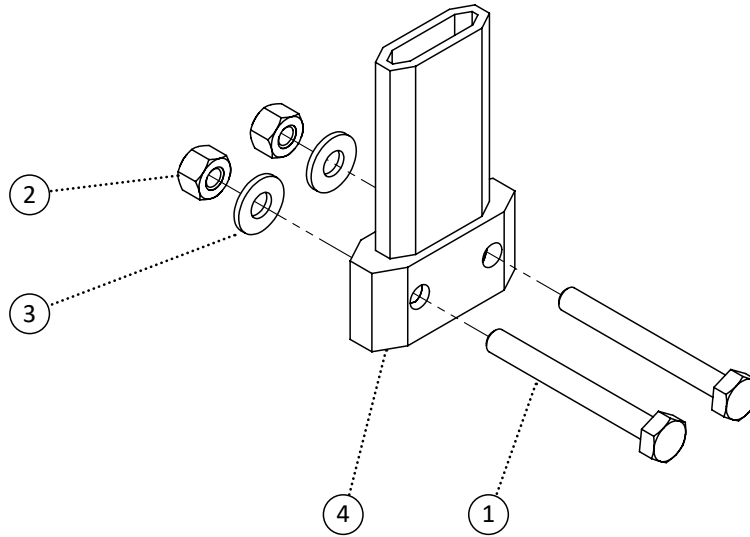
Item	REF Number	Description	Quantity	MSRP	Notes
20	549673	PPM, Arm Base Female 22 Right (Flip Back Short)	1		
1-12,13	549674	Kit, Arm Rest 16 Left (Flip Back Short) Complete	1		
1-12,14	549675	Kit, Arm Rest 16 Right (Flip Back Short) Complete	1		
1-12,15	549676	Kit, Arm Rest 18 Left (Flip Back Short) Complete	1		
1-12,16	549677	Kit, Arm Rest 18 Right (Flip Back Short) Complete	1		
1-12,17	549678	Kit, Arm Rest 20 Left (Flip Back Short) Complete	1		
1-12,18	549679	Kit, Arm Rest 20 Right (Flip Back Short) Complete	1		
1-12,19	549680	Kit, Arm Rest 22 Left (Flip Back Short) Complete	1		
1-12,20	549681	Kit, Arm Rest 22 Right (Flip Back Short) Complete	1		



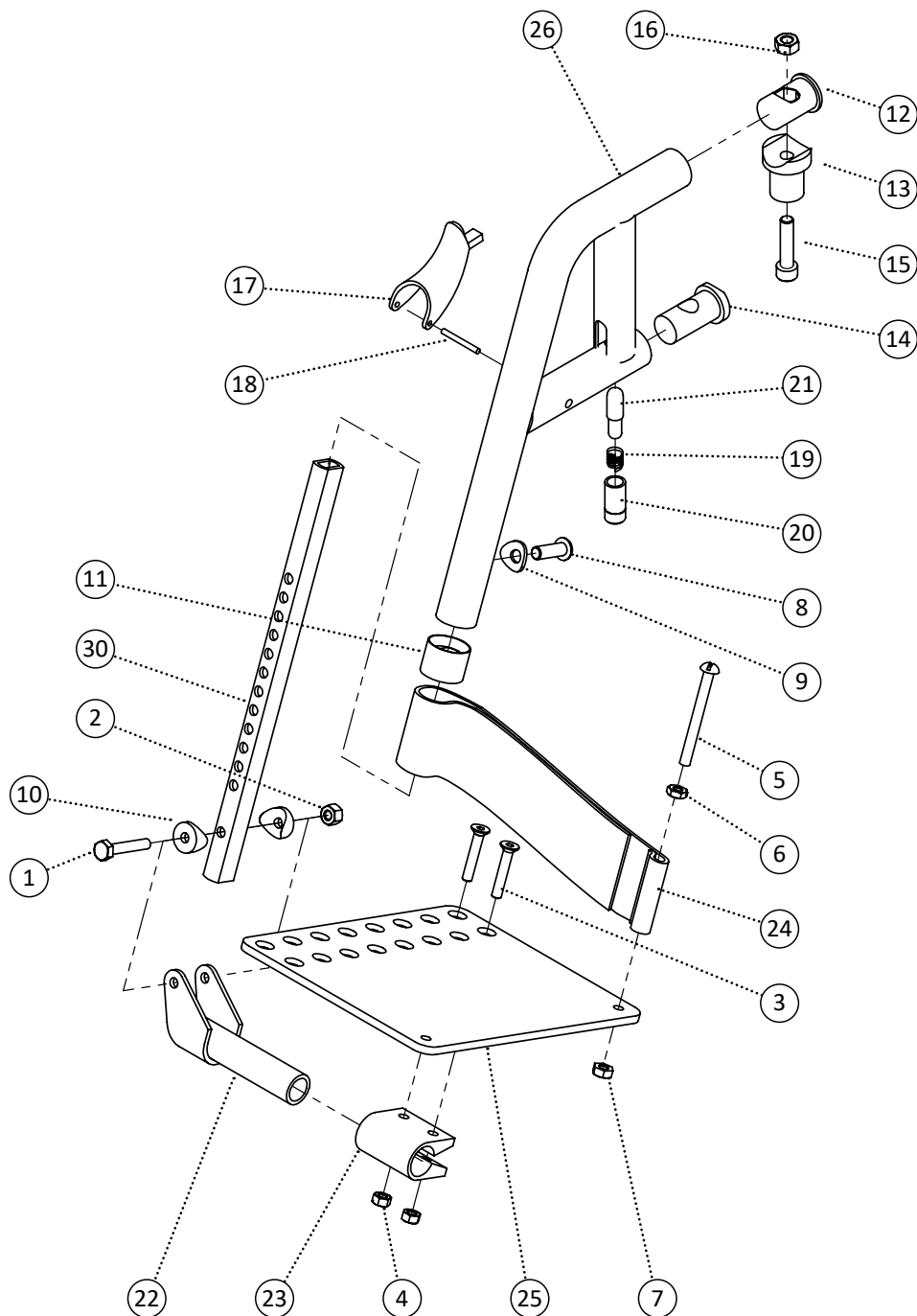
Item	REF Number	Description	Quantity	MSRP	Notes
1	549360	Screw, Round Head 10-24 x 1-1/4	1		
2	548497	Cap, Round Plug 3/4	1		
3	548939	PPM, Arm Top Regular Long	1		
4	548937	PPM, Arm Top Forward Long	1		
5	548941	PPM, Arm Top Short Long	1		
6	548936	PPM, Arm Top Desk Long	1		
7	548940	PPM, Arm Top Regular Short	1		
8	548938	PPM, Arm Top Forward Short	1		
9	548942	PPM, Arm Top Short Short	1		
		Arm Pads	1		
1,2,3	549636	Kit, Arm Top Regular Long Left	1		
1,2,3	549637	Kit, Arm Top Regular Long Right	1		
1,2,4	549638	Kit, Arm Top Forward Long Left	1		
1,2,4	549639	Kit, Arm Top Forward Long Right	1		
1,2,5	549640	Kit, Arm Top Short Long Left	1		
1,2,5	549641	Kit, Arm Top Short Long Right	1		
1,2,6	549642	Kit, Arm Top Desk Long Left	1		
1,2,6	549643	Kit, Arm Top Desk Long Right	1		
1,2,7	549644	Kit, Arm Top Regular Short Left	1		
1,2,7	549645	Kit, Arm Top Regular Short Right	1		
1,2,8	549646	Kit, Arm Top Forward Short Left	1		
1,2,8	549647	Kit, Arm Top Forward Short Right	1		
1,2,9	549648	Kit, Arm Top Short Short Left	1		
1,2,9	549649	Kit, Arm Top Short Short Right	1		



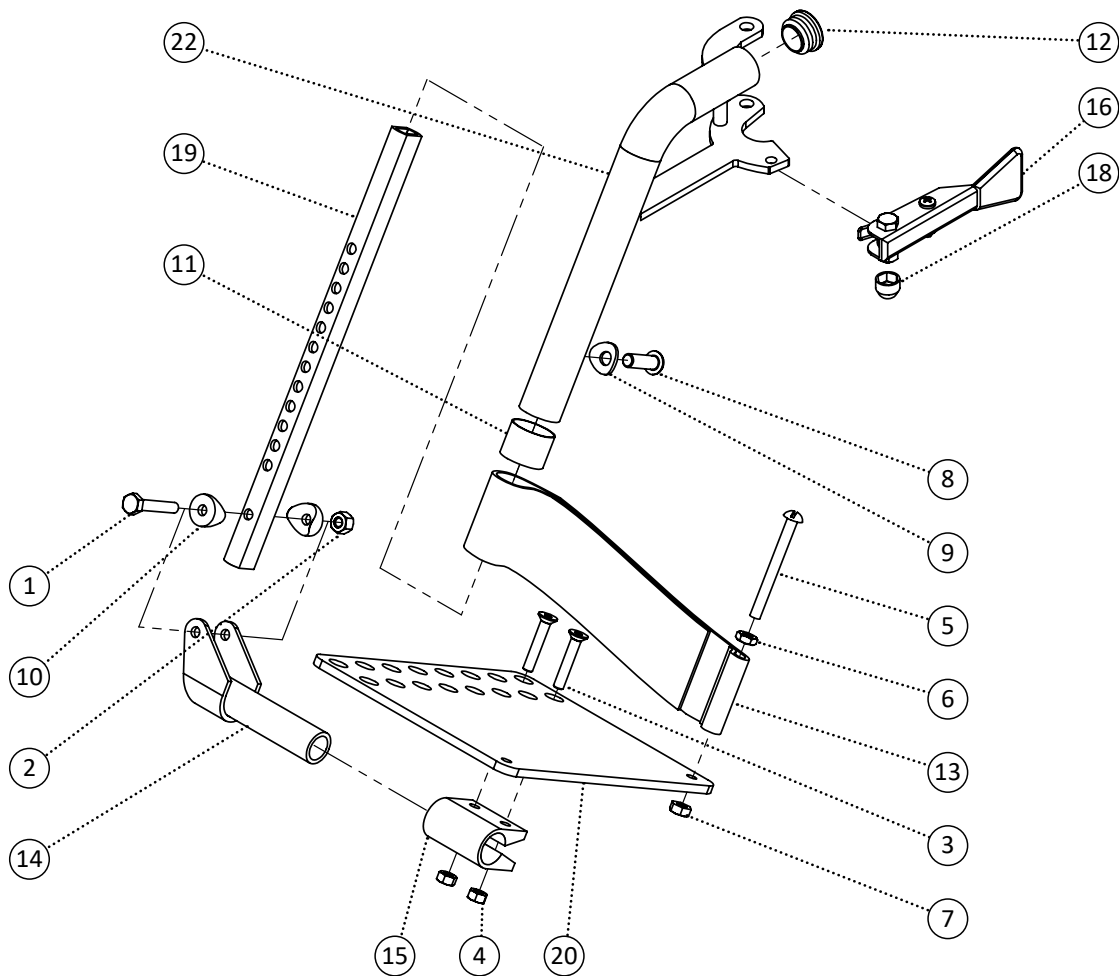
Item	REF Number	Description	Quantity	MSRP	Notes
1	548387	Arm Pad, Padded Full Length	1		
2	548385	Arm Pad, Gel Full Length	1		
3	548389	Arm Pad, Polyurethane Full Length	1		
4	548390	Arm Pad, Wide Full Length	1		
5	548386	Arm Pad, Padded Desk Length	1		
6	548384	Arm Pad, Gel Desk Length	1		
7	548388	Arm Pad, Polyurethane Desk Length	1		
8	548391	Arm Pad, Wide Full Length Gel - 3 Wide	1		
9	548392	Arm Pad, Wide Full Length Gel - 4 Wide	1		



Item	REF Number	Description	Quantity	MSRP	Notes
1	549335	Screw, Hex Bolt 1/4-20 x 2-1/4	2		
2	548859	Nut, Nylon Lock Nut 1/4-20	2		
3	549423	Washer, Flat Washer 1/4 ID. x 5/8 OD.	2		
4	548406	Block, Arm Block Extrusion Regular	1		
<b>1-4</b>	<b>550119</b>	<b>Kit, Arm Block Extrusion Standard Complete</b>	<b>1</b>		

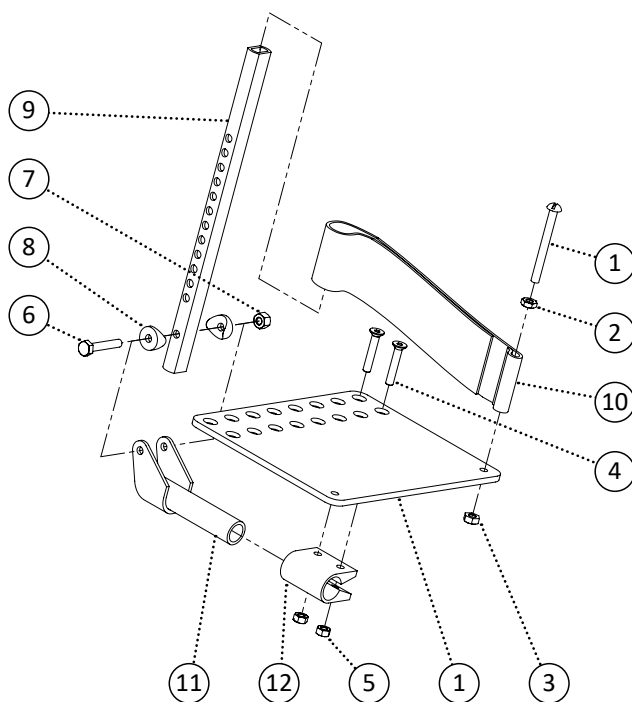


Item	REF Number	Description	Quantity	MSRP	Notes
1	549327	Screw, Hex Bolt 1/4-20 x 1-1/2	1		
2	548859	Nut, Nylon Lock Nut 1/4-20	1		
3	549325	Screw, Flat Head M6-1.0 x 30	2		
4	548866	Nut, Nylon Lock Nut M6-1.0	2		
5	549357	Screw, Round Head 1/4-20 x 2-1/2	1		
6	548852	Nut, Jam Nut 1/4-20	1		
7	548870	Nut, Nylon Lock Nut Thin 1/4-20	1		
8	549354	Screw, Pan Head M8-1.0 x 25	1		
9	549413	Washer, Curved Washer .323 ID. x 3/4 OD. x .07thk	1		
10	549434	Washer, Radius Washer 1/4 ID. x 3/4 OD. x 3/4cu	2		
11	548491	Cap, Footrest End Cap 1	1		
12	548488	Cap, Bushing Attaching Insert	1		
13	548471	Bushing, Radius Insert Bushing	1		
14	548494	Cap, Radius Bushing Attaching Insert	1		
15	549378	Screw, Socket Head M8-1.0 x 35	1		
16	548868	Nut, Nylon Lock Nut M8-1.0	1		
17	548545	Handle, Release Handle	1		
18	548884	Pin, Fixing Pin	1		
19	549399	Spring, Release Spring	1		
20	548459	Bushing, Brass Bushing	1		
21	548890	Pin, Release Pin	1		
22	548522	Footplate, Angle Adjust Hinge Clamp Extension	1		
23	548521	Footplate, Angle Adjust Hinge Clamp	1		
24	549400	Strap, Heel Loop Strap	1		
25	548523	Footplate, Angle Adjust Plate	1		
26	549135	PPM, Pivot Footrest 60 Degree	1		
27	549136	PPM, Pivot Footrest 70 Degree	1		
28	549137	PPM, Pivot Footrest 80 Degree	1		
29	549138	PPM, Pivot Footrest 90 Degree	1		
30	548519	Footplate, Angle Adjust Extension	1		
<b>1-25,26</b>	<b>549297</b>	<b>Kit, Pivot Footrest 60 Degree Left Complete Kit</b>	<b>1</b>		
<b>1-25,26</b>	<b>549298</b>	<b>Kit, Pivot Footrest 60 Degree Right Complete Kit</b>	<b>1</b>		
<b>1-25,27</b>	<b>549299</b>	<b>Kit, Pivot Footrest 70 Degree Left Complete Kit</b>	<b>1</b>		
<b>1-25,27</b>	<b>549300</b>	<b>Kit, Pivot Footrest 70 Degree Right Complete Kit</b>	<b>1</b>		

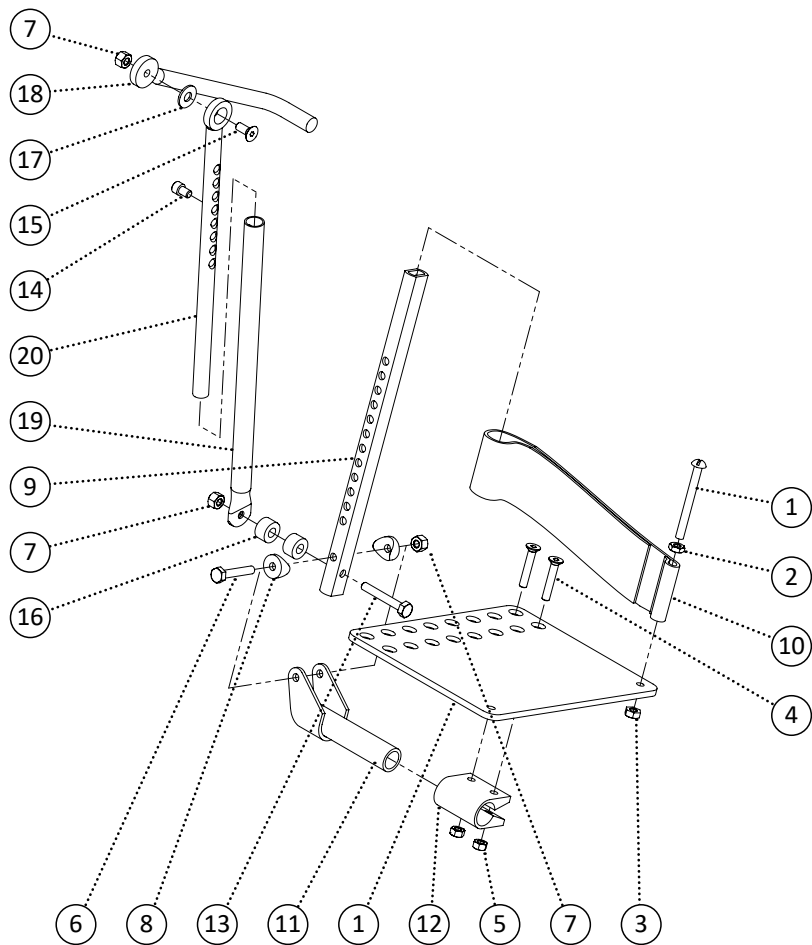




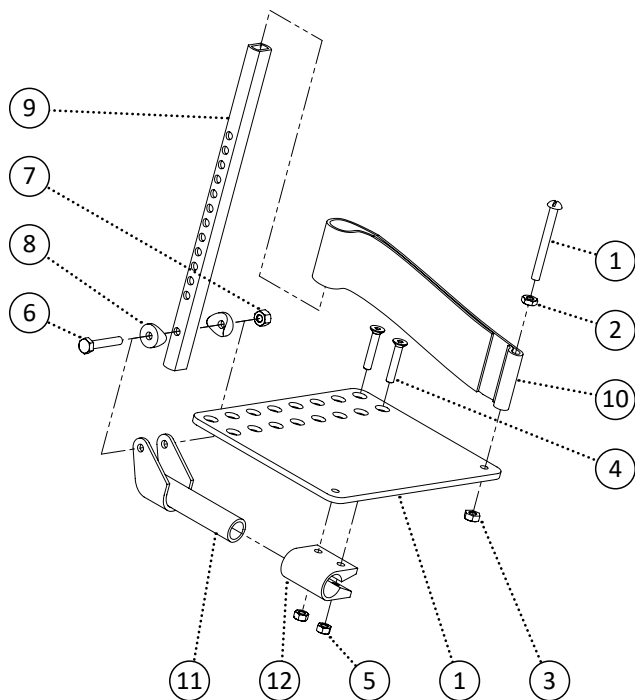
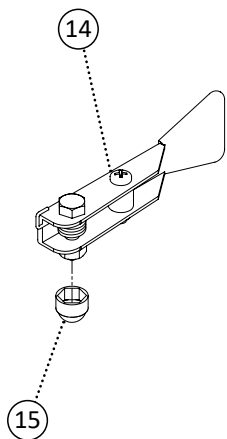
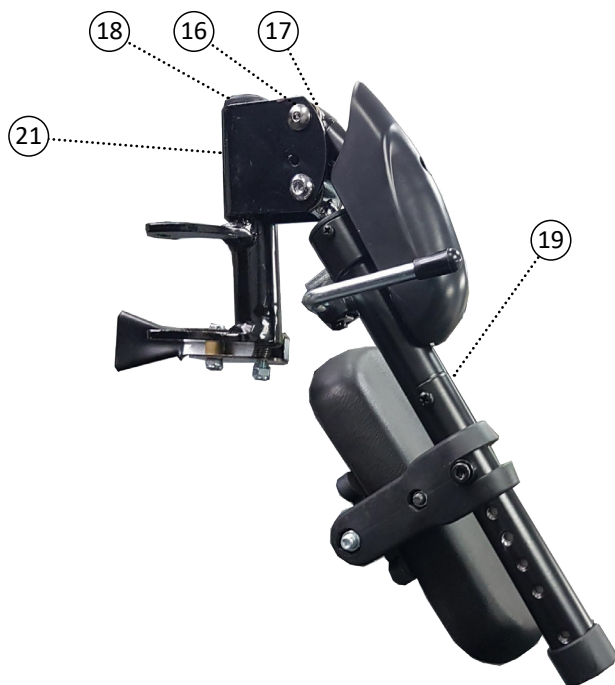
Item	REF Number	Description	Quantity	MSRP	Notes
1	549327	Screw, Hex Bolt 1/4-20 x 1-1/2	1		
2	548859	Nut, Nylon Lock Nut 1/4-20	1		
3	549325	Screw, Flat Head M6-1.0 x 30	2		
4	548866	Nut, Nylon Lock Nut M6-1.0	2		
5	549357	Screw, Round Head 1/4-20 x 2-1/2	1		
6	548852	Nut, Jam Nut 1/4-20	1		
7	548870	Nut, Nylon Lock Nut Thin 1/4-20	1		
8	549354	Screw, Pan Head M8-1.0 x 25	1		
9	549413	Washer, Curved Washer .323 ID. x 3/4 OD. x .07thk	1		
10	549435	Washer, Radius Washer 1/4 ID. x 3/4 OD. x 3/8cu	2		
11	548491	Cap, Footrest End Cap 1	1		
12	548495	Cap, Round Plug 1 x 14ga	1		
13	549400	Strap, Heel Loop Strap	1		
14	548522	Footplate, Angle Adjust Hinge Clamp Extension	1		
15	548521	Footplate, Angle Adjust Hinge Clamp	1		
16	549594	Handle, Pin-Style Release Handle Left	1		
17	549595	Handle, Pin-Style Release Handle Right	1		
18	548480	Cap, 1/4 Nut Cap	1		
19	548519	Footplate, Angle Adjust Extension	1		
20	548523	Footplate, Angle Adjust Plate	1		
21	548524	Footplate, Angle Adjust Plate XL ABS	1		
22	549117	PPM, Pin Style Footrest 60 Degree Left	1		
23	549118	PPM, Pin Style Footrest 60 Degree Right	1		
24	549120	PPM, Pin Style Footrest 70 Degree Left	1		
25	549121	PPM, Pin Style Footrest 70 Degree Right	1		
26	549123	PPM, Pin Style Footrest 80 Degree Left	1		
27	549124	PPM, Pin Style Footrest 80 Degree Right	1		
28	549126	PPM, Pin Style Footrest 90 Degree Left	1		
29	549127	PPM, Pin Style Footrest 90 Degree Right	1		
<b>1-19,22</b>	<b>548758</b>	<b>Kit, Pin Style Footrest 60 Degree Left Complete Kit</b>	<b>1</b>		
<b>1-19,23</b>	<b>548759</b>	<b>Kit, Pin Style Footrest 60 Degree Right Complete Kit</b>	<b>1</b>		
<b>1-19,24</b>	<b>548761</b>	<b>Kit, Pin Style Footrest 70 Degree Left Complete Kit</b>	<b>1</b>		
<b>1-19,25</b>	<b>548762</b>	<b>Kit, Pin Style Footrest 70 Degree Right Complete Kit</b>	<b>1</b>		
<b>1-19,26</b>	<b>548764</b>	<b>Kit, Pin Style Footrest 80 Degree Left Complete Kit</b>	<b>1</b>		
<b>1-19,27</b>	<b>548765</b>	<b>Kit, Pin Style Footrest 80 Degree Right Complete Kit</b>	<b>1</b>		
<b>1-19,28</b>	<b>548767</b>	<b>Kit, Pin Style Footrest 90 Degree Left Complete Kit</b>	<b>1</b>		
<b>1-19,29</b>	<b>548768</b>	<b>Kit, Pin Style Footrest 90 Degree Right Complete Kit</b>	<b>1</b>		
<b>1-7,10,13-15,19,20</b>	<b>548717</b>	<b>Kit, Footplate Angle Adjust Right Complete Kit</b>	<b>1</b>		
<b>1-7,10,13-15,19,20</b>	<b>548716</b>	<b>Kit, Footplate Angle Adjust Left Complete Kit</b>	<b>1</b>		



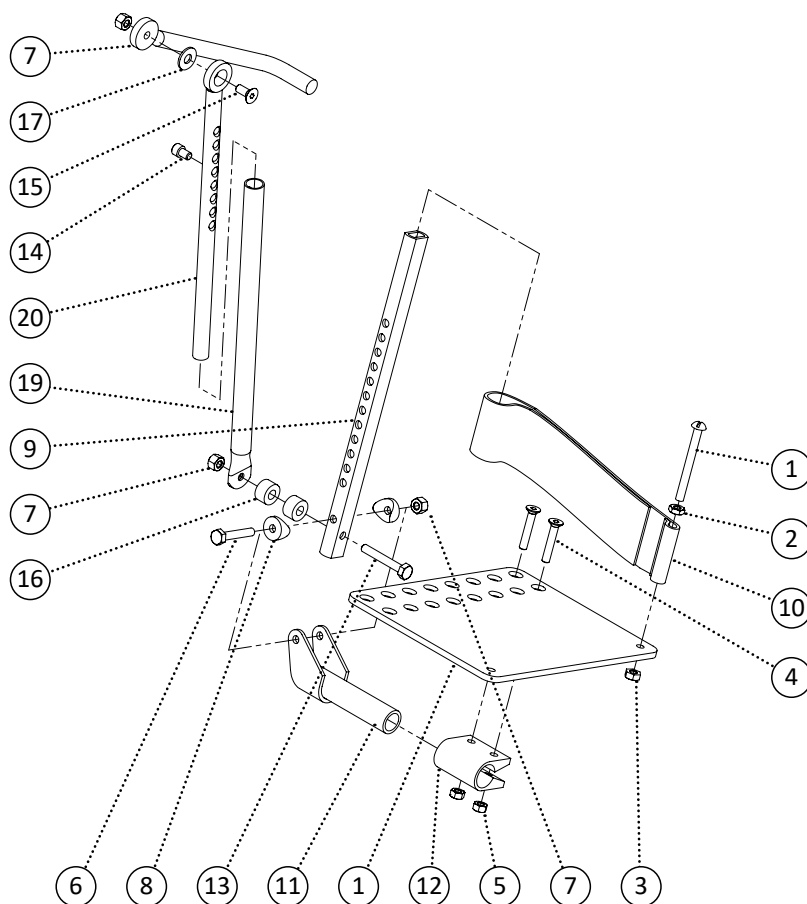
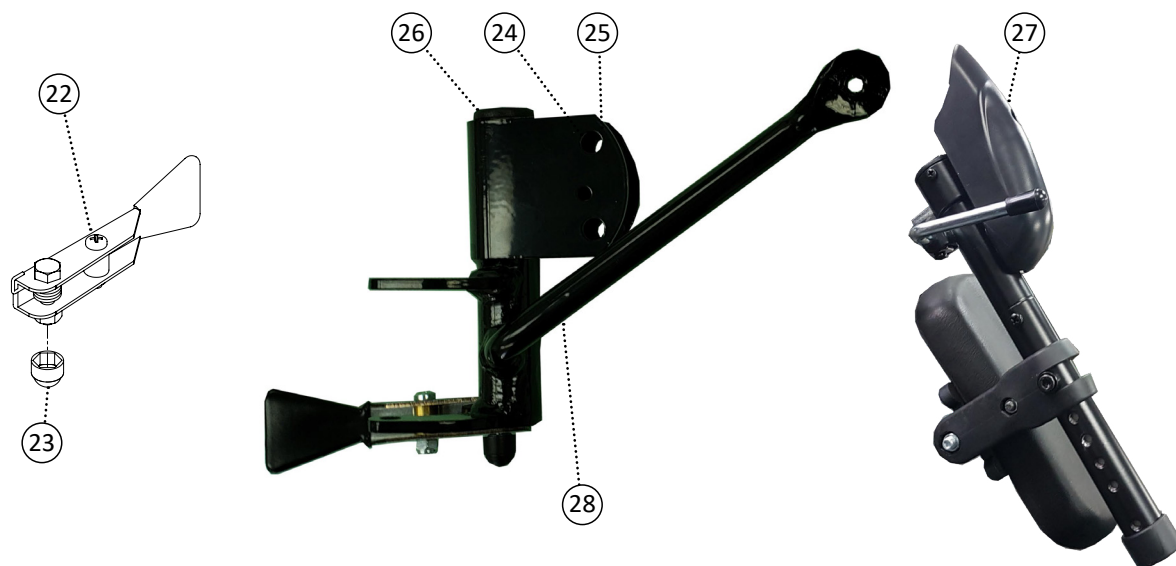
Item	REF Number	Description	Quantity	MSRP	Notes
1	549357	Screw, Round Head 1/4-20 x 2-1/2	1		
2	548852	Nut, Jam Nut 1/4-20	1		
3	548870	Nut, Nylon Lock Nut Thin 1/4-20	1		
4	549325	Screw, Flat Head M6-1.0 x 30	2		
5	548866	Nut, Nylon Lock Nut M6-1.0	2		
6	549327	Screw, Hex Bolt 1/4-20 x 1-1/2	1		
7	548859	Nut, Nylon Lock Nut 1/4-20	1		
8	549436	Washer, Radius Washer 1/4 ID. x 3/4 OD. x 3/8cu (3/4cu)	2		
9	548519	Footplate, Angle Adjust Extension	1		
10	549400	Strap, Heel Loop Strap	1		
11	548522	Footplate, Angle Adjust Hinge Clamp Extension	1		
12	548521	Footplate, Angle Adjust Hinge Clamp	1		
13	548708	Kit, Elevating Footrest Hanger Upper	1		
14	548706	Kit, Elevating Footrest Extension Tube	1		
15	548705	Kit, Elevating Footrest Calf Pad	1		
1-15	548711	Kit, Elevating Pivot Footrest Left Complete Kit	1		
1-15	548712	Kit, Elevating Pivot Footrest Right Complete Kit	1		



Item	REF Number	Description	Quantity	MSRP	Notes
1	549357	Screw, Round Head 1/4-20 x 2-1/2	1		
2	548852	Nut, Jam Nut 1/4-20	1		
3	548870	Nut, Nylon Lock Nut Thin 1/4-20	1		
4	549325	Screw, Flat Head M6-1.0 x 30	2		
5	548866	Nut, Nylon Lock Nut M6-1.0	2		
6	549327	Screw, Hex Bolt 1/4-20 x 1-1/2	1		
7	548859	Nut, Nylon Lock Nut 1/4-20	1		
8	549436	Washer, Radius Washer 1/4 ID. x 3/4 OD. x 3/8cu (3/4cu)	2		
9	548520	Footplate, Angle Adjust Extension Articulating	1		
10	549400	Strap, Heel Loop Strap	1		
11	548522	Footplate, Angle Adjust Hinge Clamp Extension	1		
12	548521	Footplate, Angle Adjust Hinge Clamp	1		
13	549330	Screw, Hex Bolt 1/4-20 x 1-3/4	1		
14	549372	Screw, Socket Head 1/4-20 x 3/8	1		
15	549323	Screw, Flat Head 1/4-20 x 5/8	1		
16	549392	Spacer, Nylon Spacer 5/16 ID. x .7 OD x .4thk (blk)	1		
17	549430	Washer, Nylon Washer 5/16 ID. x 3/4 OD. x .063thk	1		
18	549134	PPM, Pivot Articulating Arm	1		
19	548945	PPM, Articulating Receiver	1		
20	548944	PPM, Articulating Extension	1		
21	548533	Guard, Articulating Arm Guard	1		
<b>22</b>	<b>548624</b>	<b>Kit, Articulating Pivot Footrest Left Hanger</b>	<b>1</b>		
<b>23</b>	<b>548626</b>	<b>Kit, Articulating Pivot Footrest Right Hanger</b>	<b>1</b>		
<b>1-22</b>	<b>548623</b>	<b>Kit, Articulating Pivot Footrest Left Complete Kit</b>	<b>1</b>		
<b>1-21,23</b>	<b>548625</b>	<b>Kit, Articulating Pivot Footrest Right Complete Kit</b>	<b>1</b>		

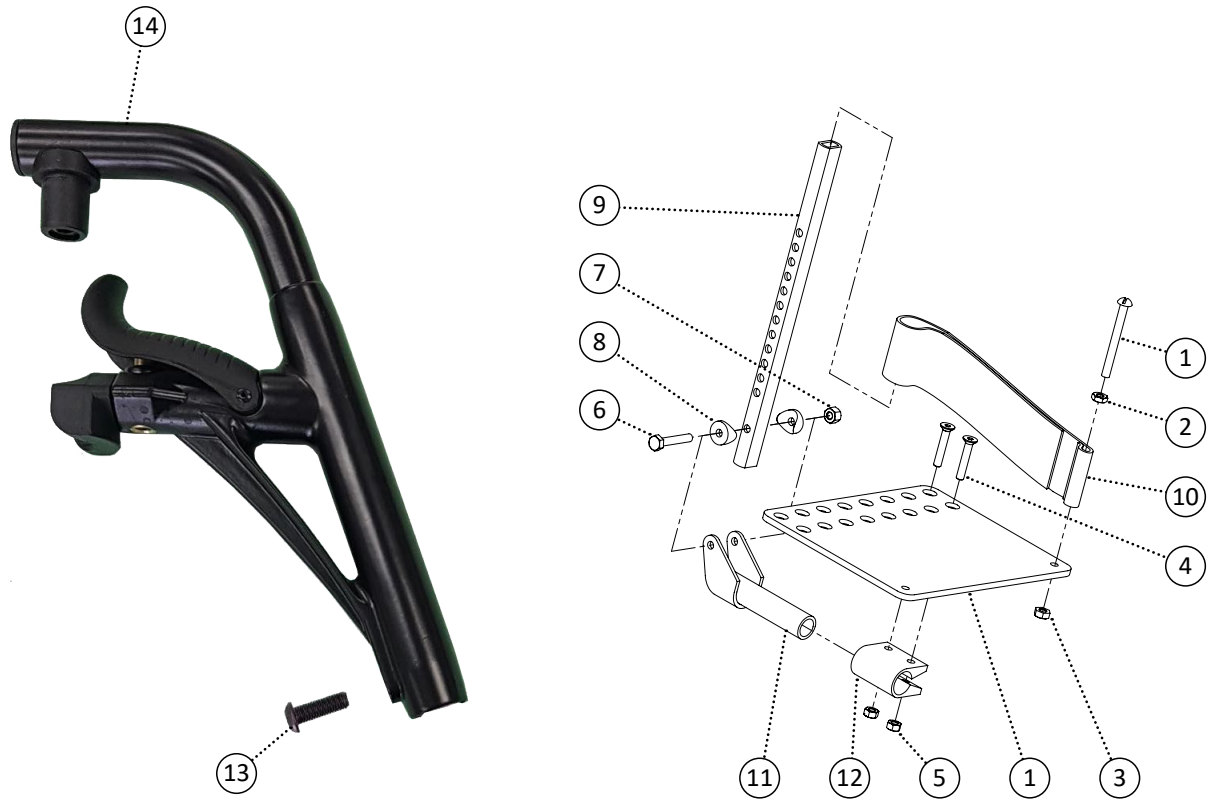


Item	REF Number	Description	Quantity	MSRP	Notes
1	549357	Screw, Round Head 1/4-20 x 2-1/2	1		
2	548852	Nut, Jam Nut 1/4-20	1		
3	548870	Nut, Nylon Lock Nut Thin 1/4-20	1		
4	549325	Screw, Flat Head M6-1.0 x 30	2		
5	548866	Nut, Nylon Lock Nut M6-1.0	2		
6	549327	Screw, Hex Bolt 1/4-20 x 1-1/2	1		
7	548859	Nut, Nylon Lock Nut 1/4-20	1		
8	549436	Washer, Radius Washer 1/4 ID. x 3/4 OD. x 3/8cu (3/4cu)	2		
9	548519	Footplate, Angle Adjust Extension	1		
10	549400	Strap, Heel Loop Strap	1		
11	548522	Footplate, Angle Adjust Hinge Clamp Extension	1		
12	548521	Footplate, Angle Adjust Hinge Clamp	1		
13	549594	Handle, Pin-Style Release Handle Left	1		
14	549595	Handle, Pin-Style Release Handle Right	1		
15	548480	Cap, 1/4 Nut Cap	1		
16	549362	Screw, Round Head M6-1.0 x 12	1		
17	549363	Nut, Round Head Receiver M6-1.0 x 12	1		
18	548496	Cap, Round Plug 1 x 18ga	1		
19	548707	Kit, Elevating Footrest Extension Tube and Calf Pad	1		
20	549132	PPM, Pin-Style Hanger Elevating Left	1		
21	549133	PPM, Pin-Style Hanger Elevating Right	1		
<b>1-12,13,15-19,20</b>	<b>548709</b>	<b>Kit, Elevating Pin-Style Footrest Left Complete Kit</b>	<b>1</b>		
<b>1-12,14,15-19,21</b>	<b>548710</b>	<b>Kit, Elevating Pin-Style Footrest Right Complete Kit</b>	<b>1</b>		

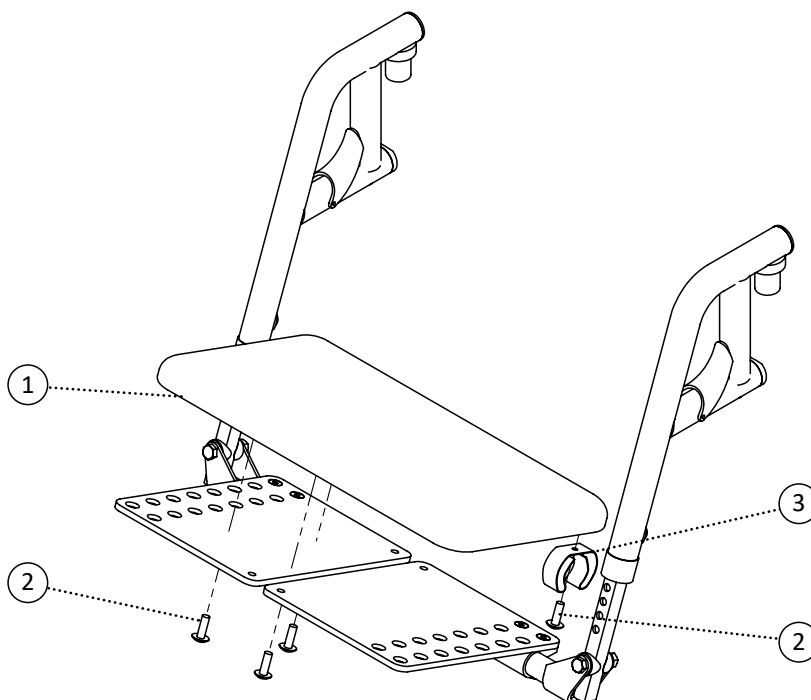




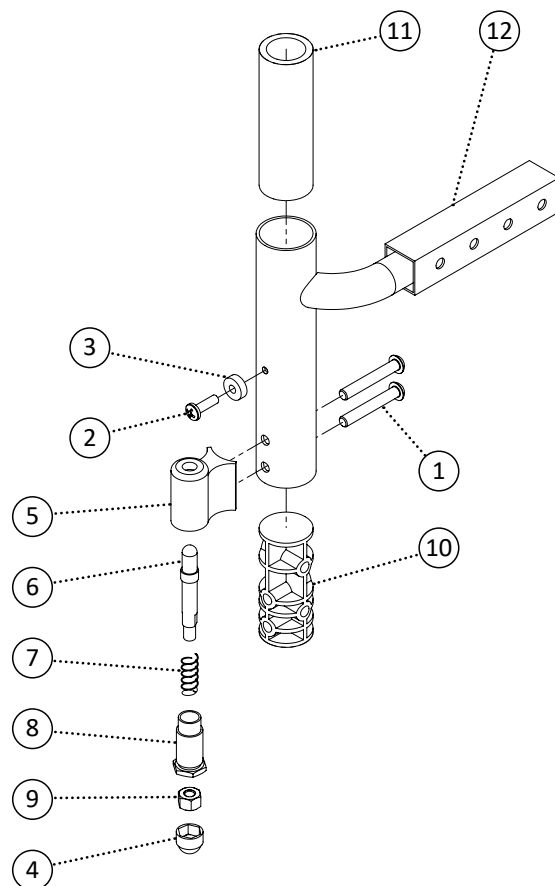
Item	REF Number	Description	Quantity	MSRP	Notes
1	549357	Screw, Round Head 1/4-20 x 2-1/2	1		
2	548852	Nut, Jam Nut 1/4-20	1		
3	548870	Nut, Nylon Lock Nut Thin 1/4-20	1		
4	549325	Screw, Flat Head M6-1.0 x 30	2		
5	548866	Nut, Nylon Lock Nut M6-1.0	2		
6	549327	Screw, Hex Bolt 1/4-20 x 1-1/2	1		
7	548859	Nut, Nylon Lock Nut 1/4-20	1		
8	549436	Washer, Radius Washer 1/4 ID. x 3/4 OD. x 3/8cu (3/4cu)	2		
9	548520	Footplate, Angle Adjust Extension Articulating	1		
10	549400	Strap, Heel Loop Strap	1		
11	548522	Footplate, Angle Adjust Hinge Clamp Extension	1		
12	548521	Footplate, Angle Adjust Hinge Clamp	1		
13	549330	Screw, Hex Bolt 1/4-20 x 1-3/4	1		
14	549372	Screw, Socket Head 1/4-20 x 3/8	1		
15	549323	Screw, Flat Head 1/4-20 x 5/8	1		
16	549392	Spacer, Nylon Spacer 5/16 ID. x .7 OD x .4thk (blk)	1		
17	549430	Washer, Nylon Washer 5/16 ID. x 3/4 OD. x .063thk	1		
18	548945	PPM, Articulating Receiver	1		
19	548944	PPM, Articulating Extension	1		
20	548533	Guard, Articulating Arm Guard	1		
21	549594	Handle, Pin-Style Release Handle Left	1		
22	549595	Handle, Pin-Style Release Handle Right	1		
23	548480	Cap, 1/4 Nut Cap	1		
24	549362	Screw, Round Head M6-1.0 x 12	1		
25	549363	Nut, Round Head Receiver M6-1.0 x 12	1		
26	548496	Cap, Round Plug 1 x 18ga	1		
<b>27</b>	<b>548618</b>	<b>Kit, Articulating Footrest Extension Tube and Calf Pad</b>	<b>1</b>		
28	549130	PPM, Pin-Style Hanger Articulating Left	1		
29	549131	PPM, Pin-Style Hanger Articulating Right	1		
<b>21,23-27,28</b>	<b>548620</b>	<b>Kit, Articulating Pin-Style Footrest Left Hanger</b>	<b>1</b>		
<b>22,23-27,29</b>	<b>548622</b>	<b>Kit, Articulating Pin-Style Footrest Right Hanger</b>	<b>1</b>		
<b>1-20,21,23-27,28</b>	<b>548619</b>	<b>Kit, Articulating Pin-Style Footrest Left Complete Kit</b>	<b>1</b>		
<b>1-20,22,23-27,29</b>	<b>548621</b>	<b>Kit, Articulating Pin-Style Footrest Right Complete Kit</b>	<b>1</b>		



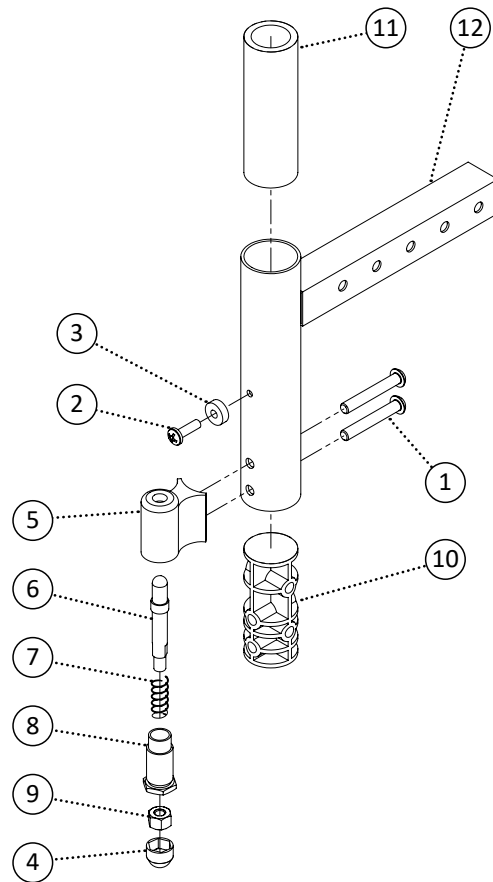
Item	REF Number	Description	Quantity	MSRP	Notes
1	549357	Screw, Round Head 1/4-20 x 2-1/2	1		
2	548852	Nut, Jam Nut 1/4-20	1		
3	548870	Nut, Nylon Lock Nut Thin 1/4-20	1		
4	549325	Screw, Flat Head M6-1.0 x 30	2		
5	548866	Nut, Nylon Lock Nut M6-1.0	2		
6	549327	Screw, Hex Bolt 1/4-20 x 1-1/2	1		
7	548859	Nut, Nylon Lock Nut 1/4-20	1		
8	549436	Washer, Radius Washer 1/4 ID. x 3/4 OD. x 3/8cu (3/4cu)	2		
9	548519	Footplate, Angle Adjust Extension	1		
10	549400	Strap, Heel Loop Strap	1		
11	548522	Footplate, Angle Adjust Hinge Clamp Extension	1		
12	548521	Footplate, Angle Adjust Hinge Clamp	1		
13	548526	Footrest, Pivot Footrest 70 Degree	1		
14	549354	Screw, Pan Head M8-1.0 x 25	1		
1-14	548774	Kit, Pivot Footrest 70 Degree Left (T) Complete Kit	1		
1-14	548775	Kit, Pivot Footrest 70 Degree Right (T) Complete Kit	1		



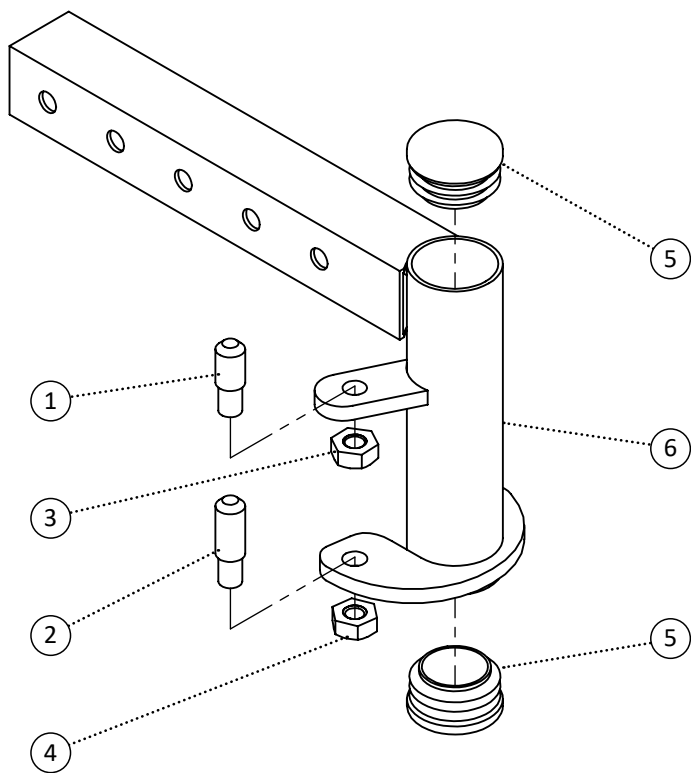
Item	REF Number	Description	Quantity	MSRP	Notes
1	548881	Padding, One Piece Footboard Pad	1		
2	549382	Screw, Truss Head 1/4-20 x 3/4	4		
3	548510	Clamp, Rubber Clamp 1	1		



Item	REF Number	Description	Quantity	MSRP	Notes
1	549353	Screw, Pan Head M6-1.0 x 40	2		
2	549351	Screw, Pan Head 10-32 x 5/8	1		
3	549388	Spacer, Nylon Spacer 3/16 ID. x .516 OD. x .171thk	1		
4	548480	Cap, 1/4 Nut Cap	1		
5	548411	Block, Pivot Footrest Block	1		
6	548889	Pin, Pivot Footrest Block Pin	1		
7	549398	Spring, Pivot Footrest Block Spring	1		
8	548876	Nut, Pivot Footrest Block Nut	1		
9	548859	Nut, Nylon Lock Nut 1/4-20	1		
10	548463	Bushing, Front Post Insert	1		
11	548465	Bushing, Front Post Sleeve	1		
12	549139	PPM, Pivot Footrest Offset Extension	1		
<b>1-12</b>	<b>548779</b>	<b>Kit, Pivot Footrest Receiver Offset Complete Kit</b>	<b>1</b>		



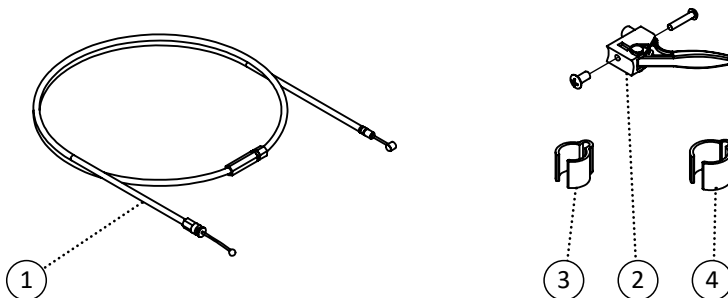
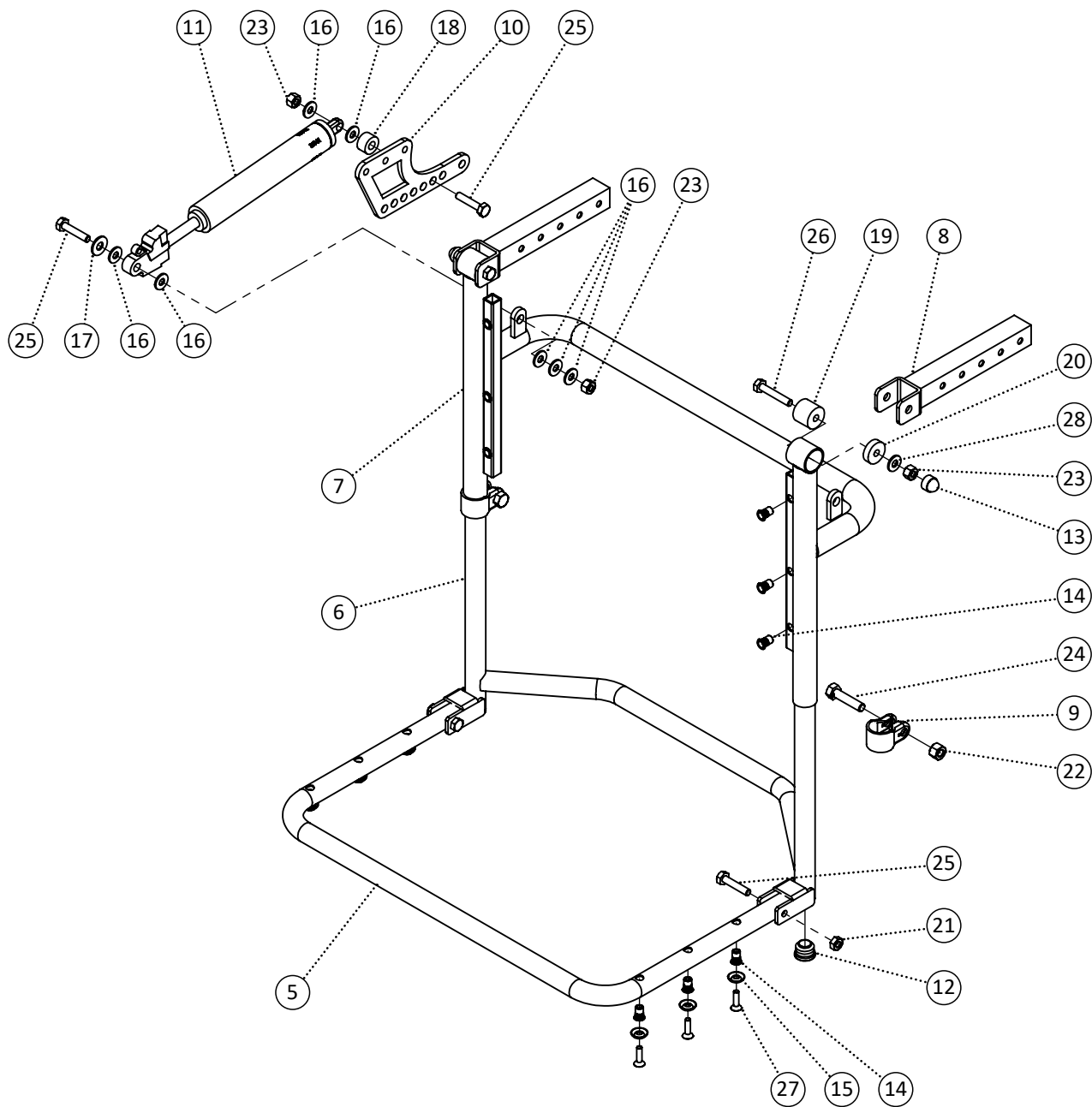
Item	REF Number	Description	Quantity	MSRP	Notes
1	549353	Screw, Pan Head M6-1.0 x 40	2		
2	549351	Screw, Pan Head 10-32 x 5/8	1		
3	549388	Spacer, Nylon Spacer 3/16 ID. x .516 OD. x .171thk	1		
4	548480	Cap, 1/4 Nut Cap	1		
5	548411	Block, Pivot Footrest Block	1		
6	548889	Pin, Pivot Footrest Block Pin	1		
7	549398	Spring, Pivot Footrest Block Spring	1		
8	548876	Nut, Pivot Footrest Block Nut	1		
9	548859	Nut, Nylon Lock Nut 1/4-20	1		
10	548463	Bushing, Front Post Insert	1		
11	548465	Bushing, Front Post Sleeve	1		
12	549078	PPM, Footrest Extension Insert	1		
<b>1-12</b>	<b>548778</b>	<b>Kit, Pivot Footrest Receiver Complete Kit</b>	<b>1</b>		



Item	REF Number	Description	Quantity	MSRP	Notes
1	548887	Pin, Pin Style Pin 1/4-28 Short	1		
2	548885	Pin, Pin Style Pin 1/4-20 Long	1		
3	548872	Nut, Nylon Lock Nut Thin 1/4-28	1		
4	548870	Nut, Nylon Lock Nut Thin 1/4-20	1		
5	548496	Cap, Round Plug 1 x 18ga	2		
6	549128	PPM, Pin Style Footrest Receiver Left	1		
7	549129	PPM, Pin Style Footrest Receiver Right	1		
1-6	548770	Kit, Pin Style Footrest Receiver Left Complete Kit	1		
1-5,7	548771	Kit, Pin Style Footrest Receiver Right Complete Kit	1		

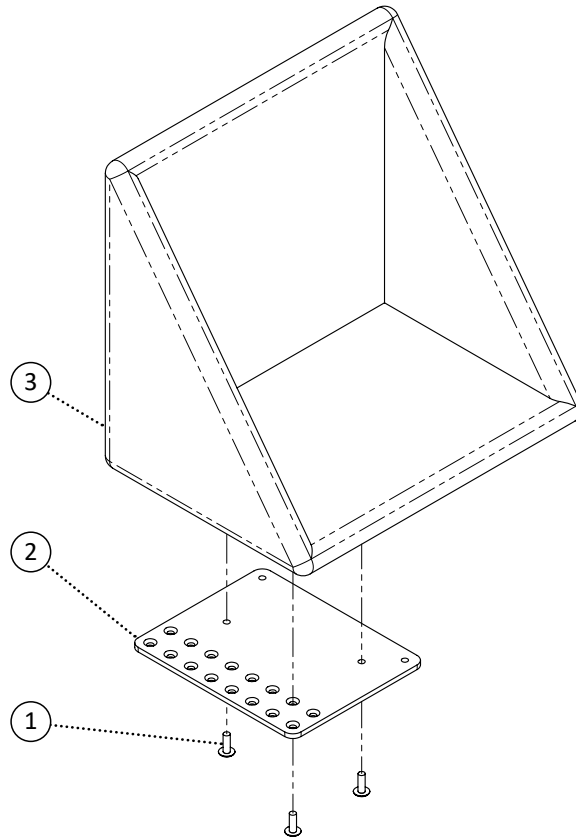


Item	REF Number	Description	Quantity	MSRP	Notes
1	548538	Guard, Pivot Footrest Hanger Cover Left	1		
2	548539	Guard, Pivot Footrest Hanger Cover Right	1		
3	548534	Guard, Elevating Footrest Hanger Cover Left	1		
4	548535	Guard, Elevating Footrest Hanger Cover Right	1		
5	548541	Guard, Pivot Footrest Receiver Cover	1		
6	548540	Guard, Pin-Style Footrest Receiver Cover	1		
7	548536	Guard, Folding Footrest Receiver Cover Left	1		
8	548537	Guard, Folding Footrest Receiver Cover Right	1		



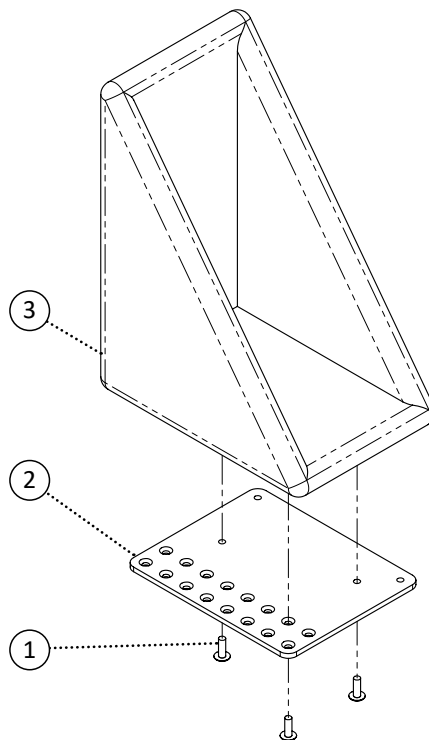


Item	REF Number	Description	Quantity	MSRP	Notes
1	549116	Cable, 1 PC Elevating Sys. Adjustable Cable	1		
2	549409	Trigger, Tilt Trigger	1		
3	548504	Clamp, 7/8 Tube Clamp	1		
4	548503	Clamp, 1 Tube Clamp	1		
5	549119	PPM, 1 PC Elevating Sys. - Flip Up Footrest Frame	1		
6	549122	PPM, 1 PC Elevating Sys. - Footrest Extension	2		
7	549125	PPM, 1 PC Elevating Sys. - Footrest Hanger	2		
8	549305	PPM, 1 PC Elevating Sys. - Frame Mount Ext.	2		
9	548766	Clamp, 7/8 Pinch Clamp	2		
10	549306	Bracket, Elevating Leg Rest Gas Spring Mt.	1		
11	548943	Cylinder, Gas Spring 150N	1		
12	548481	Cap, 3/4 Round Plug	4		
13	548480	Cap, 1/4 Nut Cap	2		
14	548879	Nut, Rivet Nut 10-32	12		
15	549418	Washer, Finishing Washer #10	6		
16	549428	Washer, Nylon Washer .265ID x 5/8 OD x .063th	7		
17	549430	Washer, Nylon Washer 5/16 ID. x 3/4 OD. x .063thk	1		
18	549392	Spacer, Nylon Spacer 5/16 ID. x .7 OD x .4thk (blk)	1		
19	548546	Spacer, Nylon Spacer .265 ID x 7/8 OD x .875th	2		
20	548549	Spacer, Nylon Spacer .265 ID x 7/8 OD x .25th	2		
21	548870	Nut, Nylon Lock Nut Thin 1/4-20	2		
22	548757	Nut, Nylon Lock Nut 5/16-20	2		
23	548859	Nut, Nylon Lock Nut 1/4-20	4		
24	548760	Screw, Hex Bolt 5/16-20 x 7/8 (w/ Tab)	2		
25	549329	Screw, Hex Bolt 1/4-20 x 1-1/4	4		
26	549327	Screw, Hex Bolt 1/4-20 x 1-1/2	2		
27	549324	Screw, Flat Head 10-32 x 3/4	6		
28	549423	Washer, Flat Washer 1/4 ID. x 5/8 OD.	2		
<b>1-28</b>	<b>548763</b>	<b>Kit, Elevating Legrest System One Piece Complete Kit</b>	<b>1</b>		



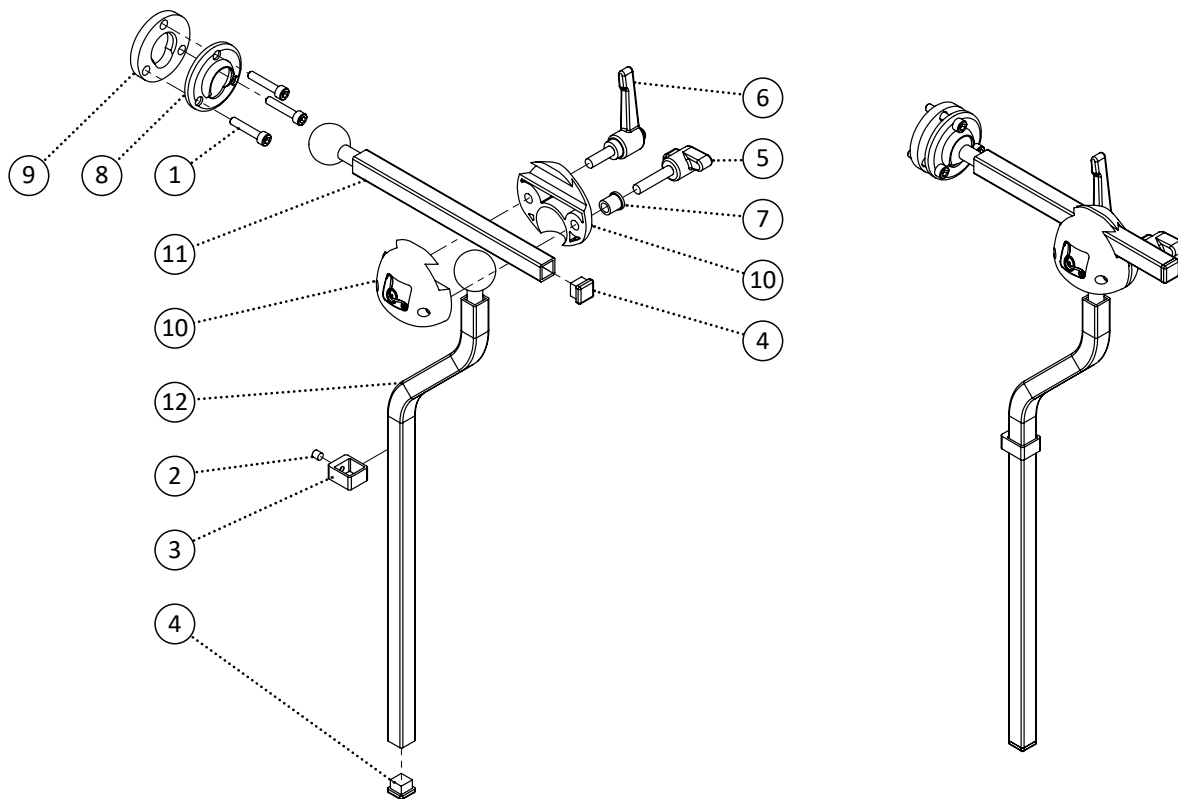
Item	REF Number	Description	Quantity	MSRP	Notes
1	549382	Screw, Truss Head 1/4-20 x 3/4	3		
2	549776	Footplate, Angle Adjust Plate 16 Footbox Left	1		
3	549777	Footplate, Angle Adjust Plate 16 Footbox Right	1		
4	549778	Footplate, Angle Adjust Plate 18 Footbox Left	1		
5	549779	Footplate, Angle Adjust Plate 18 Footbox Right	1		
6	549780	Footplate, Angle Adjust Plate 20 Footbox Left	1		
7	549781	Footplate, Angle Adjust Plate 20 Footbox Right	1		
8	549782	PPM, Footbox Soft 16	1		
9	549783	PPM, Footbox Soft 18	1		
10	549784	PPM, Footbox Soft 20	1		
11	549785	PPM, Footbox Soft 22	1		
12	549786	PPM, Footbox Soft 24	1		
13	549787	PPM, Footbox Soft 26	1		
14	549788	PPM, Footbox Soft 28	1		
15	549789	PPM, Footbox Soft 30	1		
16	549790	PPM, Footbox Hard 16	1		
17	549791	PPM, Footbox Hard 18	1		
18	549792	PPM, Footbox Hard 20	1		
19	549793	PPM, Footbox Hard 22	1		

<b>Item</b>	<b>REF Number</b>	<b>Description</b>	<b>Quantity</b>	<b>MSRP</b>	<b>Notes</b>
20	549794	PPM, Footbox Hard 24	1		
21	549795	PPM, Footbox Hard 26	1		
22	549796	PPM, Footbox Hard 28	1		
23	549797	PPM, Footbox Hard 30	1		
<b>1,2,3,16</b>	<b>549798</b>	<b>Kit, Footbox Hard 16 Complete</b>	<b>1</b>		
<b>1,4,5,17</b>	<b>549799</b>	<b>Kit, Footbox Hard 18 Complete</b>	<b>1</b>		
<b>1,6,7,18</b>	<b>549800</b>	<b>Kit, Footbox Hard 20 Complete</b>	<b>1</b>		
<b>1,6,7,19</b>	<b>549801</b>	<b>Kit, Footbox Hard 22 Complete</b>	<b>1</b>		
<b>1,6,7,20</b>	<b>549802</b>	<b>Kit, Footbox Hard 24 Complete</b>	<b>1</b>		
<b>1,6,7,21</b>	<b>549803</b>	<b>Kit, Footbox Hard 26 Complete</b>	<b>1</b>		
<b>1,6,7,22</b>	<b>549804</b>	<b>Kit, Footbox Hard 28 Complete</b>	<b>1</b>		
<b>1,6,7,23</b>	<b>549805</b>	<b>Kit, Footbox Hard 30 Complete</b>	<b>1</b>		

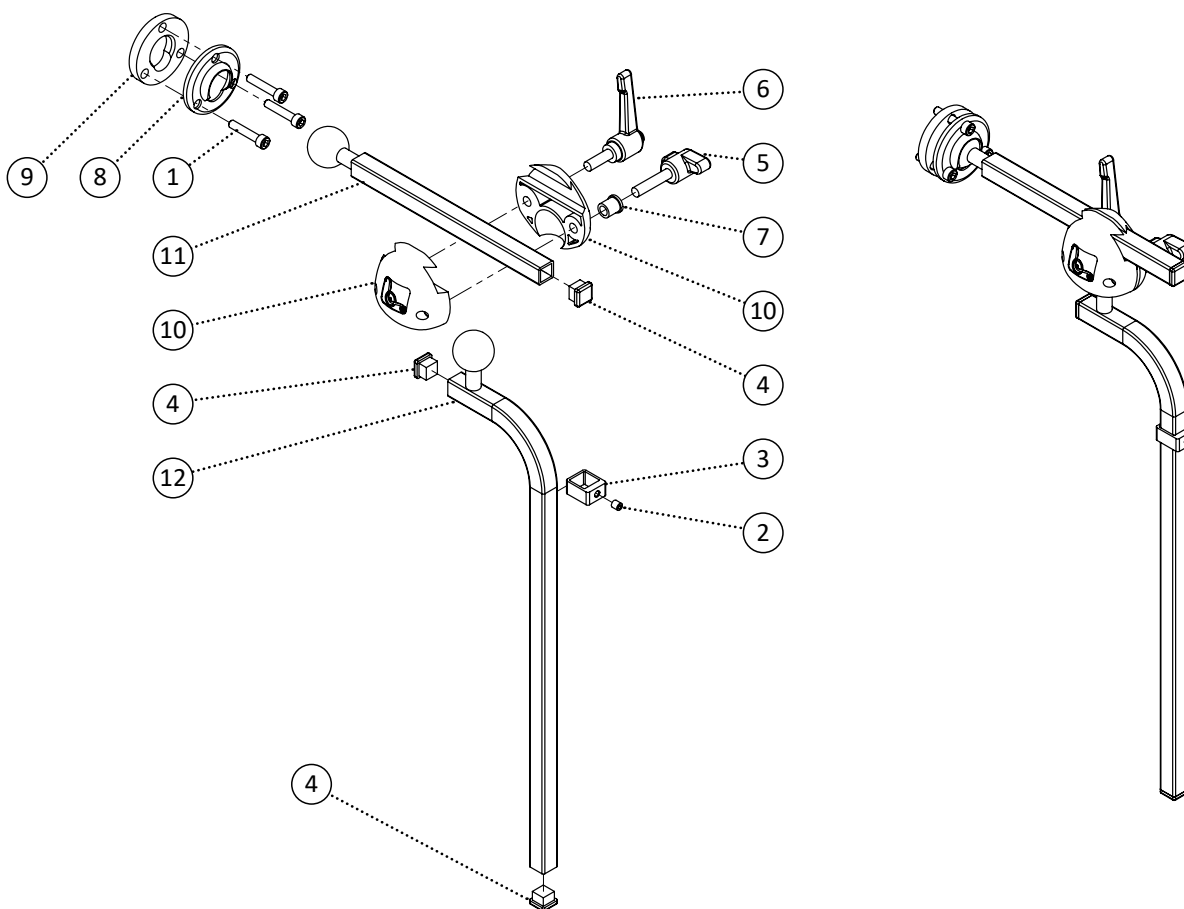


Item	REF Number	Description	Quantity	MSRP	Notes
1	549382	Screw, Truss Head 1/4-20 x 3/4	3		
2	549776	Footplate, Angle Adjust Plate 16 Footbox Left	1		
3	549777	Footplate, Angle Adjust Plate 16 Footbox Right	1		
4	549778	Footplate, Angle Adjust Plate 18 Footbox Left	1		
5	549779	Footplate, Angle Adjust Plate 18 Footbox Right	1		
6	549780	Footplate, Angle Adjust Plate 20 Footbox Left	1		
7	549781	Footplate, Angle Adjust Plate 20 Footbox Right	1		
8	549806	PPM, Foot Pocket Hard 16	1		
9	549807	PPM, Foot Pocket Hard 18	1		
10	549808	PPM, Foot Pocket Hard 20	1		
11	549809	PPM, Foot Pocket Hard 22	1		
12	549810	PPM, Foot Pocket Hard 24	1		
13	549811	PPM, Foot Pocket Hard 26	1		
14	549812	PPM, Foot Pocket Hard 28	1		
15	549813	PPM, Foot Pocket Hard 30	1		
<b>1,2,8</b>	<b>549814</b>	<b>Kit, Foot Pocket Hard 16 Left Complete</b>	<b>1</b>		
<b>1,3,8</b>	<b>549815</b>	<b>Kit, Foot Pocket Hard 16 Right Complete</b>	<b>1</b>		
<b>1,4,9</b>	<b>549816</b>	<b>Kit, Foot Pocket Hard 18 Left Complete</b>	<b>1</b>		
<b>1,5,9</b>	<b>549817</b>	<b>Kit, Foot Pocket Hard 18 Right Complete</b>	<b>1</b>		

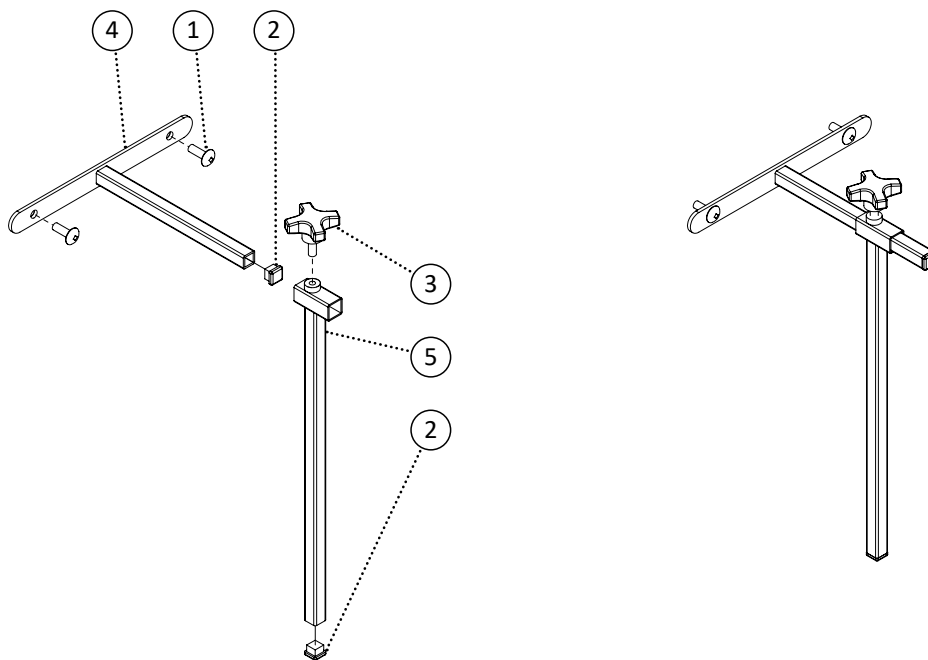
Item	REF Number	Description	Quantity	MSRP	Notes
1,6,10	549818	Kit, Foot Pocket Hard 20 Left Complete	1		
1,7,10	549819	Kit, Foot Pocket Hard 20 Right Complete	1		
1,6,11	549820	Kit, Foot Pocket Hard 22 Left Complete	1		
1,7,11	549821	Kit, Foot Pocket Hard 22 Right Complete	1		
1,6,12	549822	Kit, Foot Pocket Hard 24 Left Complete	1		
1,7,12	549823	Kit, Foot Pocket Hard 24 Right Complete	1		
1,6,13	549824	Kit, Foot Pocket Hard 26 Left Complete	1		
1,7,13	549825	Kit, Foot Pocket Hard 26 Right Complete	1		
1,6,14	549826	Kit, Foot Pocket Hard 28 Left Complete	1		
1,7,14	549827	Kit, Foot Pocket Hard 28 Right Complete	1		
1,6,15	549828	Kit, Foot Pocket Hard 30 Left Complete	1		
1,7,15	549829	Kit, Foot Pocket Hard 30 Right Complete	1		



Item	REF Number	Description	Quantity	MSRP	Notes
1	549373	Screw, Socket Head 10-24 x 1	3		
2	549367	Screw, Set Screw 10-24 x 3/16	1		
3	548412	Bracket, 1/2 Locking Collar	1		
4	548479	Cap, 1/2 Square Cap	2		
5	548840	Knob, 2 Prong 1/4-20 x 1-1/8	1		
6	548843	Knob, Clamp Handle 1/4-20 x 3/4	1		
7	549387	Spacer, Custom Headrest Block Spacer	1		
8	549440	Washer, Swivel Pad Mount	1		
9	549439	Washer, Swivel Ball Mount	1		
10	548410	Block, Headrest Block v1	1		
11	549104	PPM, Horizontal Swivel Neck	1		
11	549105	PPM, Horizontal Swivel Neck Long	1		
12	549307	PPM, Vertical S-Bend Neck	1		
<b>1-12</b>	<b>549308</b>	<b>Kit, Multi-Axis Neck S-Bend Complete Kit</b>	<b>1</b>		

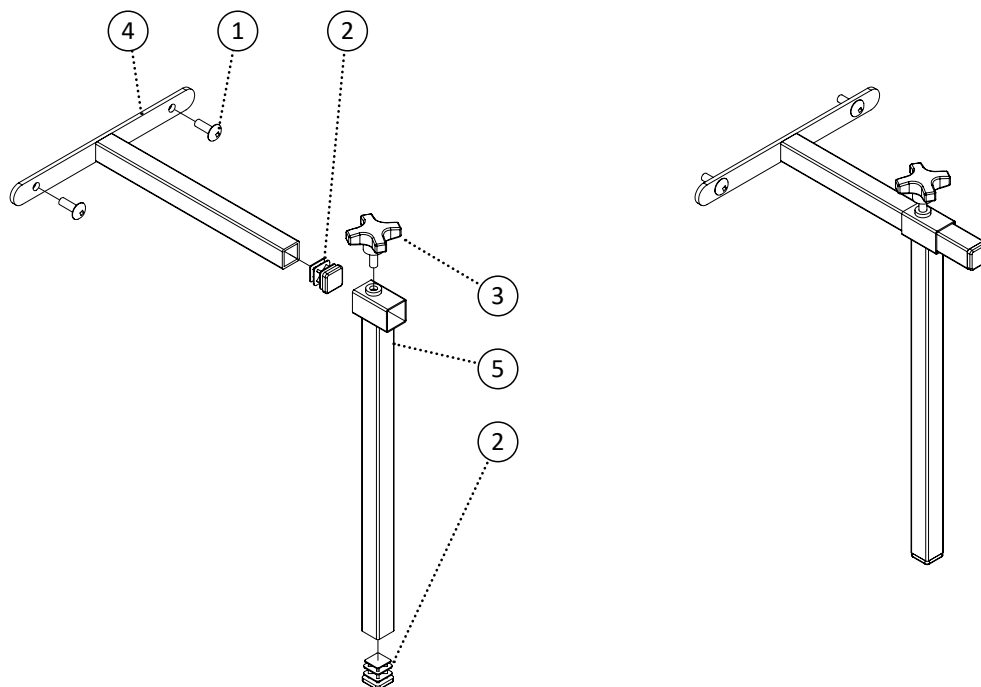


Item	REF Number	Description	Quantity	MSRP	Notes
1	549373	Screw, Socket Head 10-24 x 1	3		
2	549367	Screw, Set Screw 10-24 x 3/16	1		
3	548412	Bracket, 1/2 Locking Collar	1		
4	548479	Cap, 1/2 Square Cap	2		
5	548840	Knob, 2 Prong 1/4-20 x 1-1/8	1		
6	548843	Knob, Clamp Handle 1/4-20 x 3/4	1		
7	549387	Spacer, Custom Headrest Block Spacer	1		
8	549440	Washer, Swivel Pad Mount	1		
9	549439	Washer, Swivel Ball Mount	1		
10	548410	Block, Headrest Block v1	1		
11	549104	PPM, Horizontal Swivel Neck	1		
12	549105	PPM, Horizontal Swivel Neck Long	1		
13	549286	PPM, Vertical L-Bend Neck	1		
<b>1-11,13</b>	<b>548754</b>	<b>Kit, Multi-Axis Neck L-Bend Complete Kit</b>	<b>1</b>		

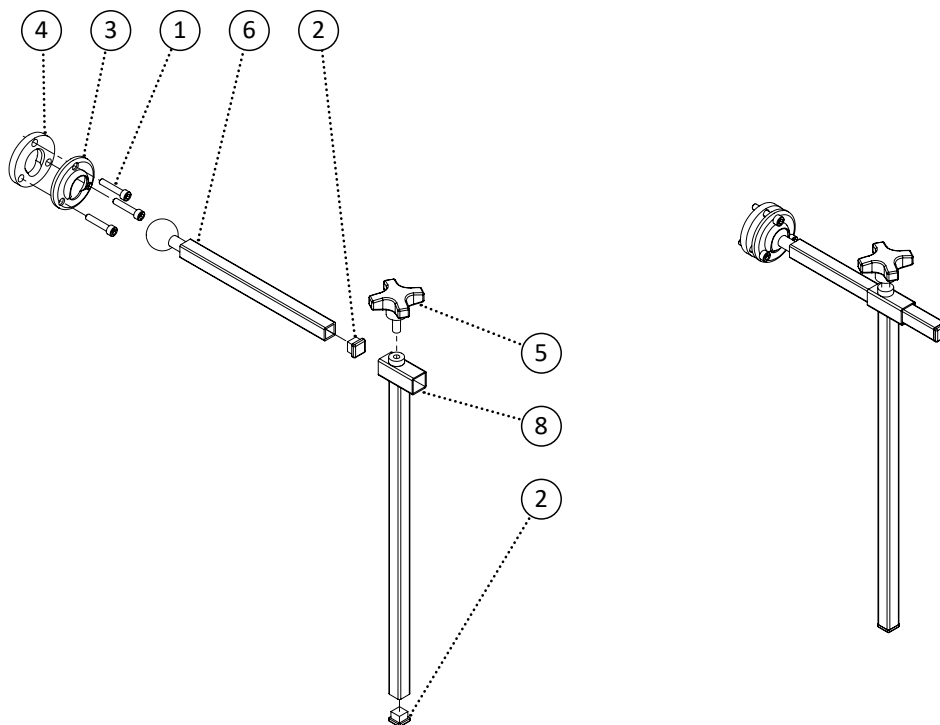


Item	REF Number	Description	Quantity	MSRP	Notes
1	549382	Screw, Truss Head 1/4-20 x 3/4	2		
2	548479	Cap, 1/2 Square Cap	2		
3	548841	Knob, 4 Prong 1/4-20 x 3/16	1		
4	548895	PPM, 1/2 Horizontal Fixed Neck	1		
5	548896	PPM, 1/2 Vertical Fixed Neck	1		
<b>1-5</b>	<b>548831</b>	<b>Kit, Vertical Horizontal 1/2 Complete Kit</b>	<b>1</b>		

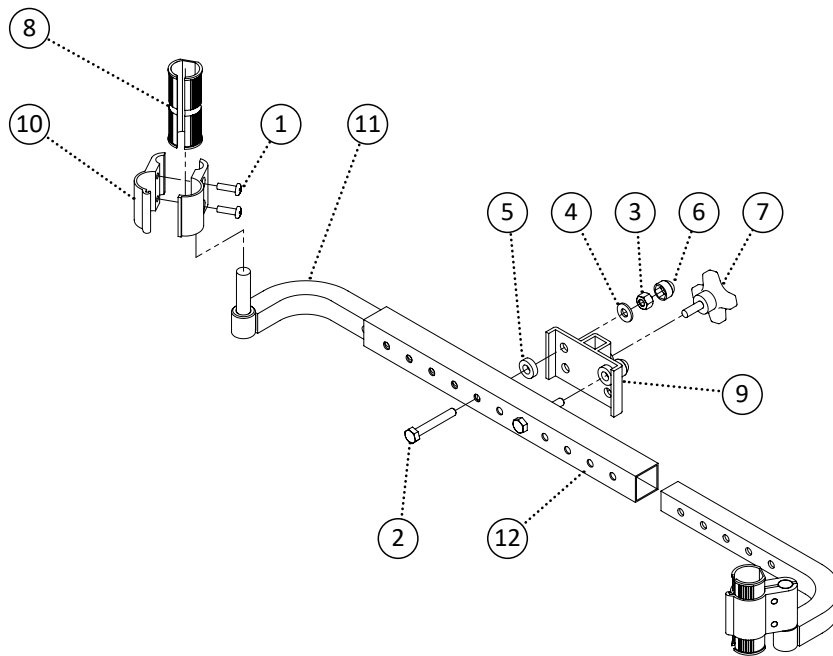




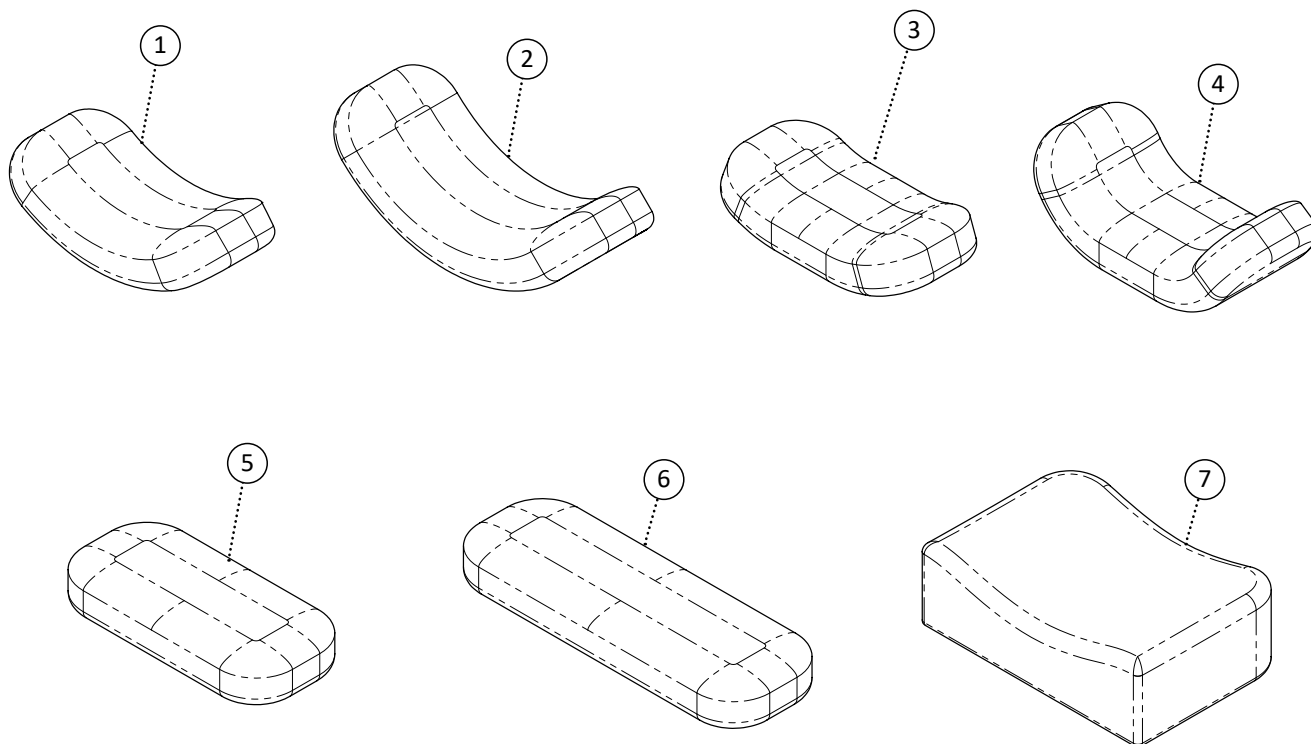
Item	REF Number	Description	Quantity	MSRP	Notes
1	549382	Screw, Truss Head 1/4-20 x 3/4	2		
2	548482	Cap, 3/4 Square Cap	2		
3	548841	Knob, 4 Prong 1/4-20 x 3/16	1		
4	548897	PPM, 3/4 Horizontal Fixed Neck	1		
5	548898	PPM, 3/4 Vertical Fixed Neck	1		
<b>1-5</b>	<b>548832</b>	<b>Kit, Vertical Horizontal 3/4 Complete Kit</b>	<b>1</b>		



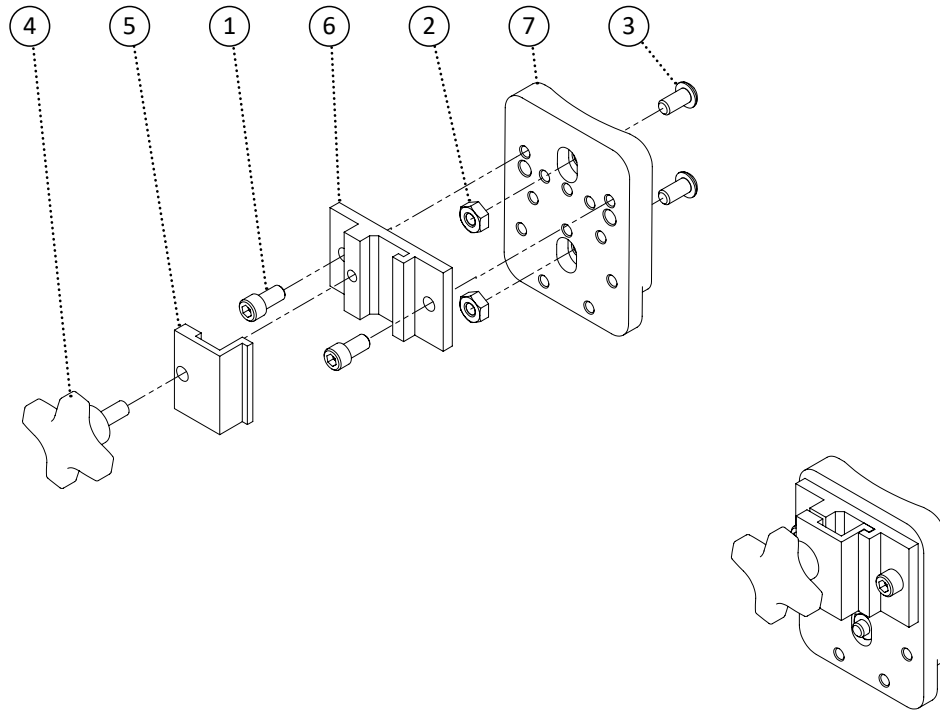
Item	REF Number	Description	Quantity	MSRP	Notes
1	549373	Screw, Socket Head 10-24 x 1	3		
2	548479	Cap, 1/2 Square Cap	2		
3	549440	Washer, Swivel Pad Mount	1		
4	549439	Washer, Swivel Ball Mount	1		
5	548841	Knob, 4 Prong 1/4-20 x 3/16	1		
6	549104	PPM, Horizontal Swivel Neck	1		
7	549105	PPM, Horizontal Swivel Neck Long	1		
8	548896	PPM, 1/2 Vertical Fixed Neck	1		
1-6,8	550120	Kit, Vertical Horizontal Multi-Axis 1/2 Complete Kit	1		



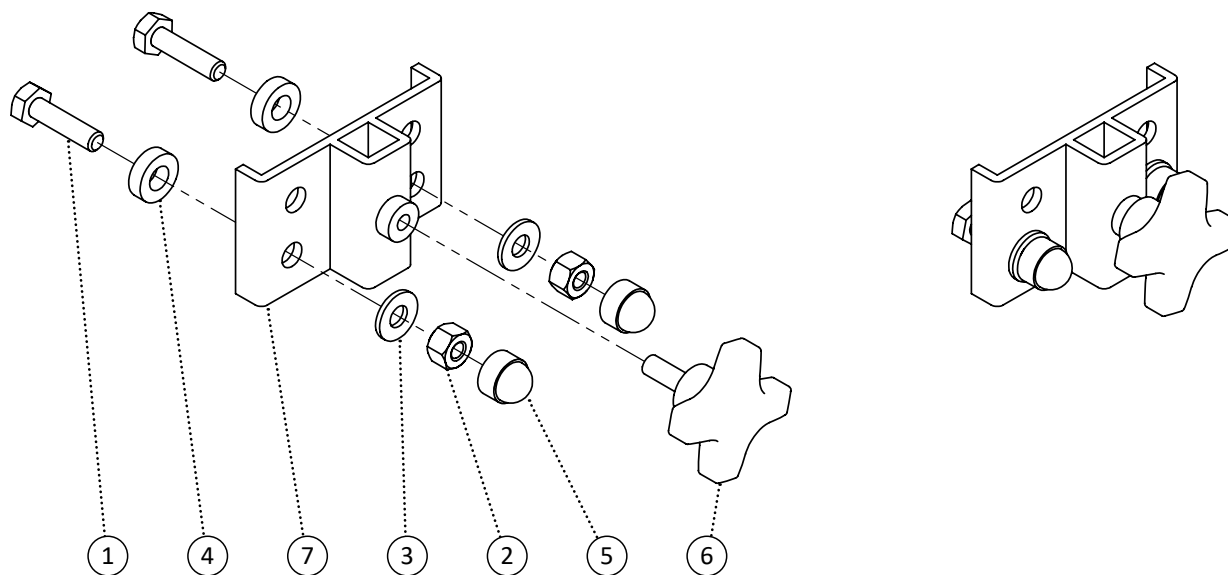
Item	REF Number	Description	Quantity	MSRP	Notes
1	550077	Screw, Round Head 10-32 x 5/8	4		
2	549330	Screw, Hex Bolt 1/4-20 x 1-3/4	2		
3	548859	Nut, Nylon Lock Nut 1/4-20	2		
4	549423	Washer, Flat Washer 1/4 ID. x 5/8 OD.	2		
5	549390	Spacer, Nylon Spacer 5/16 ID. x .6 OD. x .18thk (blk)	2		
6	548480	Cap, 1/4 Nut Cap	2		
7	548844	Knob, Knob Screw 1/4-20	1		
8	550078	Clamp, Expanding Sleeve 7/8 to 1	2		
9	548435	Bracket, Headrest Mount 1/2	1		
10	550079	Clamp, Aluminum Clamp 1 and 7/16	2		
11	550080	PPM, Straight Headrest Mounting Bracket Extension v1	1		
12	550081	PPM, Straight Headrest Mounting Bracket Receiver v1	1		
<b>1-12</b>	<b>550082</b>	<b>Kit, Straight Headrest Mounting Bracket Complete Kit</b>	<b>1</b>		



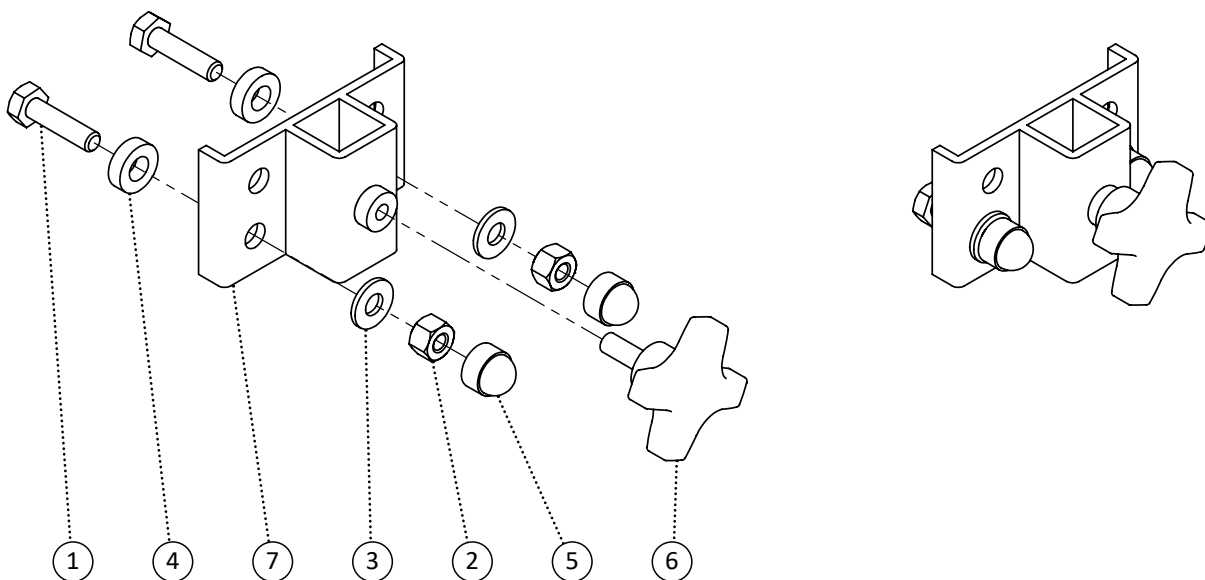
Item	REF Number	Description	Quantity	MSRP	Notes
1	548556	Headrest Pad, Contoured Pad Medium	1		
2	548555	Headrest Pad, Contoured Pad Large	1		
3	548557	Headrest Pad, Flat Pad Small	1		
4	548560	Headrest Pad, Polyurethane Pad Large	1		
5	548559	Headrest Pad, Flex Pad Small	1		
6	548558	Headrest Pad, Flex Pad Large	1		
7	548563	Headrest Pad, Square Pad Large	1		



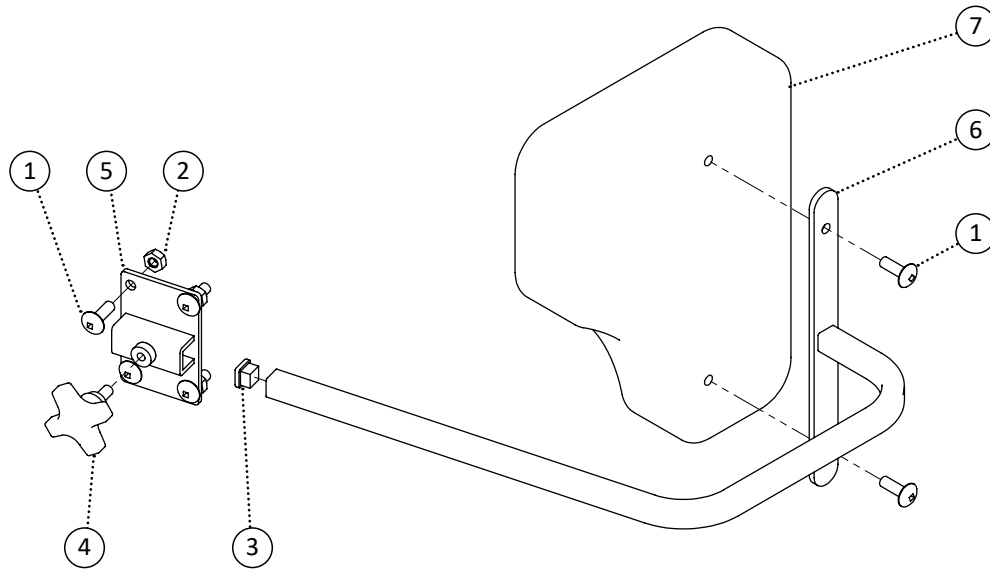
Item	REF Number	Description	Quantity	MSRP	Notes
1	549369	Screw, Socket Head 1/4-20 x 1/2	2		
2	548859	Nut, Nylon Lock Nut 1/4-20	2		
3	549348	Screw, Pan Head 1/4-20 x 1/2	2		
4	548844	Knob, Knob Screw 1/4-20	1		
5	548442	Bracket, Universal Headrest Mount Clamp 1	1		
6	548443	Bracket, Universal Headrest Mount Clamp 2	1		
7	548444	Bracket, Universal Headrest Mount Clamp 3	1		
<b>1-7</b>	<b>548830</b>	<b>Kit, Universal Headrest Mount Complete Kit</b>	<b>1</b>		



Item	REF Number	Description	Quantity	MSRP	Notes
1	549326	Screw, Hex Bolt 1/4-20 x 1	2		
2	548859	Nut, Nylon Lock Nut 1/4-20	2		
3	549423	Washer, Flat Washer 1/4 ID. x 5/8 OD.	2		
4	549390	Spacer, Nylon Spacer 5/16 ID. x .6 OD. x .18thk (blk)	2		
5	548480	Cap, 1/4 Nut Cap	2		
6	548844	Knob, Knob Screw 1/4-20	2		
7	548435	Bracket, Headrest Mount 1/2	1		
<b>1-7</b>	<b>548740</b>	<b>Kit, Headrest Mount 1/2 Complete Kit</b>	<b>1</b>		

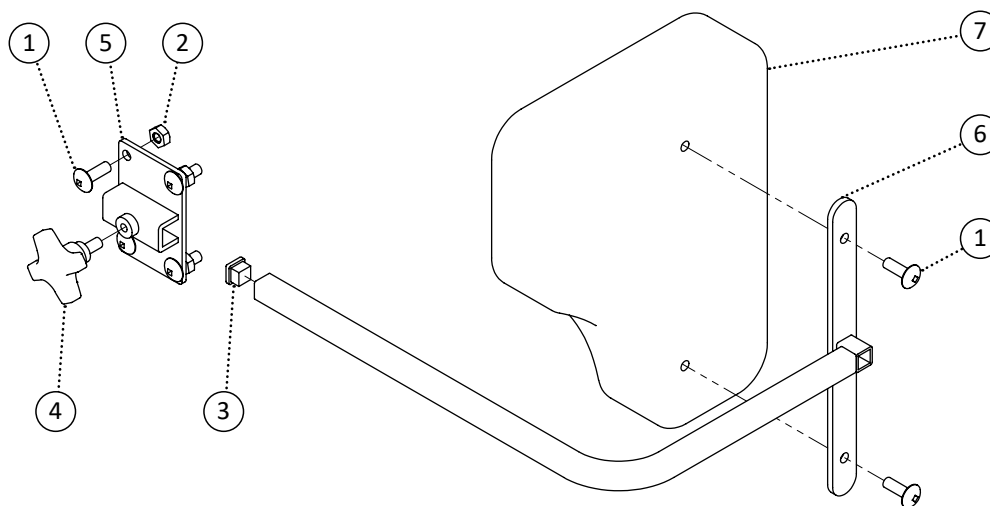


Item	REF Number	Description	Quantity	MSRP	Notes
1	549326	Screw, Hex Bolt 1/4-20 x 1	2		
2	548859	Nut, Nylon Lock Nut 1/4-20	2		
3	549423	Washer, Flat Washer 1/4 ID. x 5/8 OD.	2		
4	549390	Spacer, Nylon Spacer 5/16 ID. x .6 OD. x .18thk (blk)	2		
5	548480	Cap, 1/4 Nut Cap	2		
6	548844	Knob, Knob Screw 1/4-20	2		
7	549309	Bracket, Headrest Mount 3/4	1		
<b>1-7</b>	<b>549310</b>	<b>Kit, Headrest Mount 3/4 Complete Kit</b>	<b>1</b>		

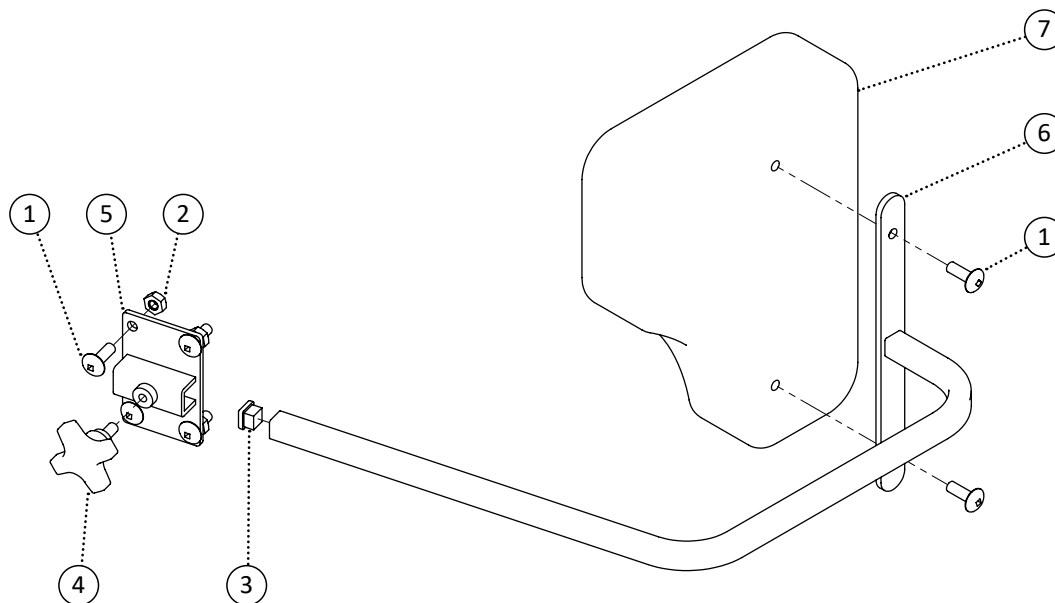


Item	REF Number	Description	Quantity	MSRP	Notes
1	549382	Screw, Truss Head 1/4-20 x 3/4	6		
2	548870	Nut, Nylon Lock Nut Thin 1/4-20	4		
3	548479	Cap, 1/2 Square Cap	1		
4	548841	Knob, 4 Prong 1/4-20 x 3/16	1		
5	549709	Bracket, Flat Headrest Mount 1/2	1		
6	549724	PPM, Lateral Bracket Fixed Standard	1		
7	549702	PPM, Lateral Padding Bite Out	1		
8	549703	PPM, Lateral Padding no Bite Out	1		
1-5,6	549704	Kit, Lateral Padding Bite Out Left Fixed Standard Complete	1		
1-5,6	549705	Kit, Lateral Padding Bite Out Right Fixed Standard Complete	1		
1-5,7	549706	Kit, Lateral Padding no Bite Out Left Fixed Standard Complete	1		
1-5,7	549707	Kit, Lateral Padding no Bite Out Right Fixed Standard Complete	1		
1,2,4,5	549708	Kit, Bracket Flat Headrest Mount 1/2	1		

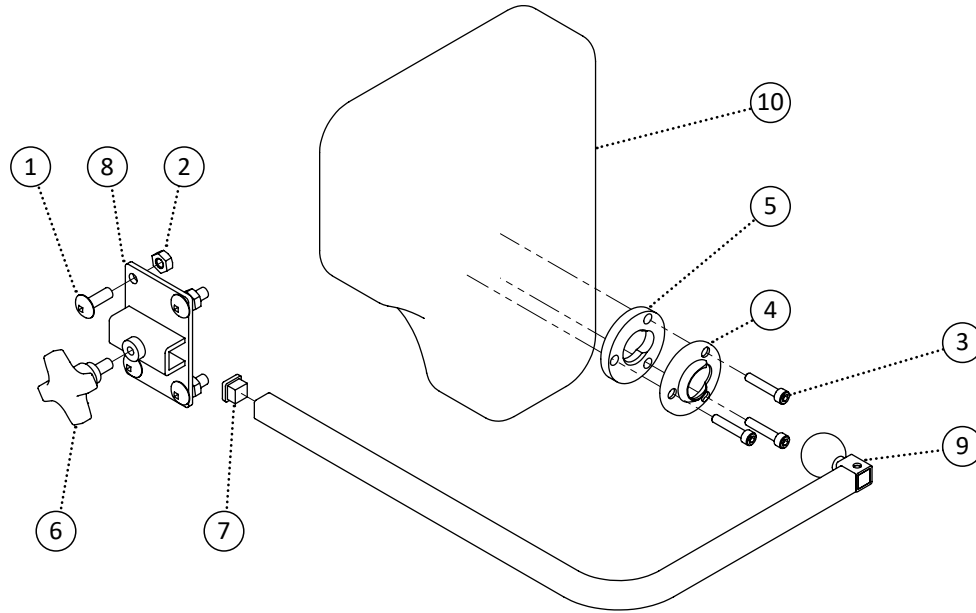




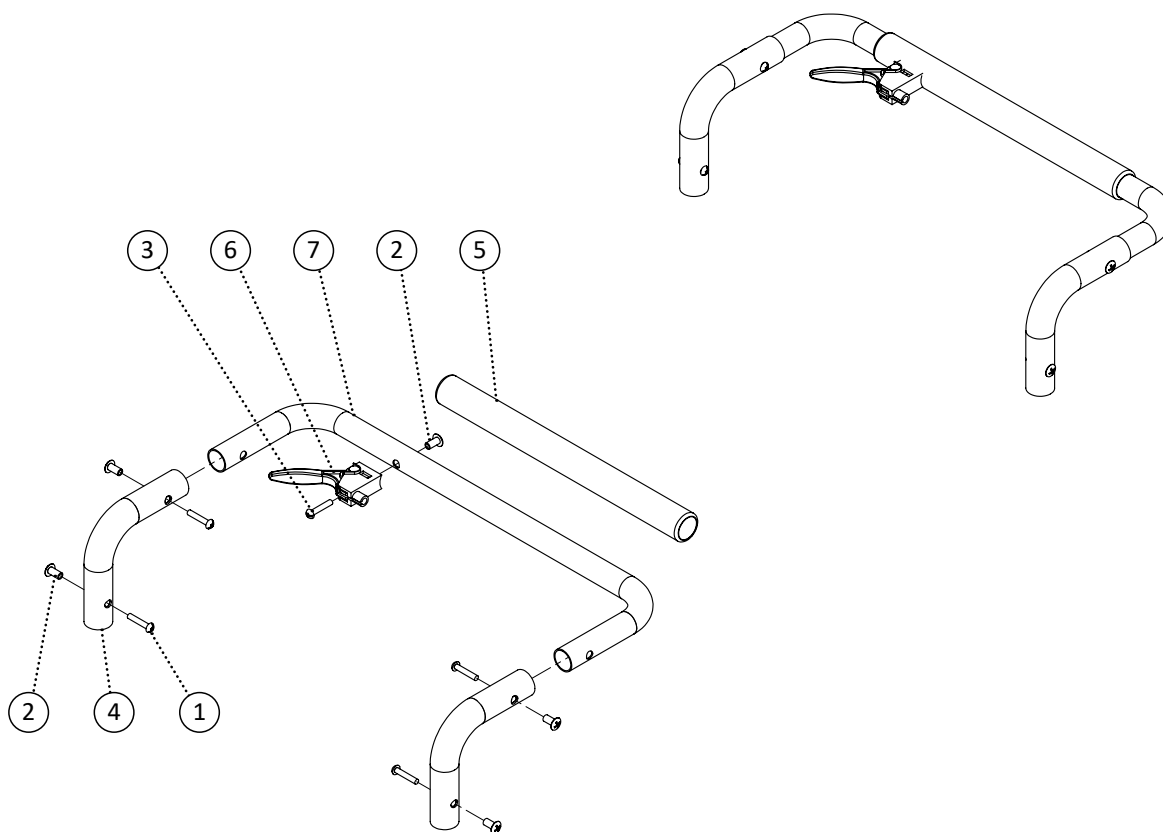
Item	REF Number	Description	Quantity	MSRP	Notes
1	549382	Screw, Truss Head 1/4-20 x 3/4	6		
2	548870	Nut, Nylon Lock Nut Thin 1/4-20	4		
3	548479	Cap, 1/2 Square Cap	1		
4	548841	Knob, 4 Prong 1/4-20 x 3/16	1		
5	549709	Bracket, Flat Headrest Mount 1/2	1		
6	549710	PPM, Lateral Bracket Fixed Short	1		
7	549702	PPM, Lateral Padding Bite Out	1		
8	549703	PPM, Lateral Padding no Bite Out	1		
1-5,6	549711	Kit, Lateral Padding Bite Out Left Fixed Short Complete	1		
1-5,6	549712	Kit, Lateral Padding Bite Out Right Fixed Short Complete	1		
1-5,7	549713	Kit, Lateral Padding no Bite Out Left Fixed Short Complete	1		
1-5,7	549714	Kit, Lateral Padding no Bite Out Right Fixed Short Complete	1		
1,2,4,5	549708	Kit, Bracket Flat Headrest Mount 1/2	1		



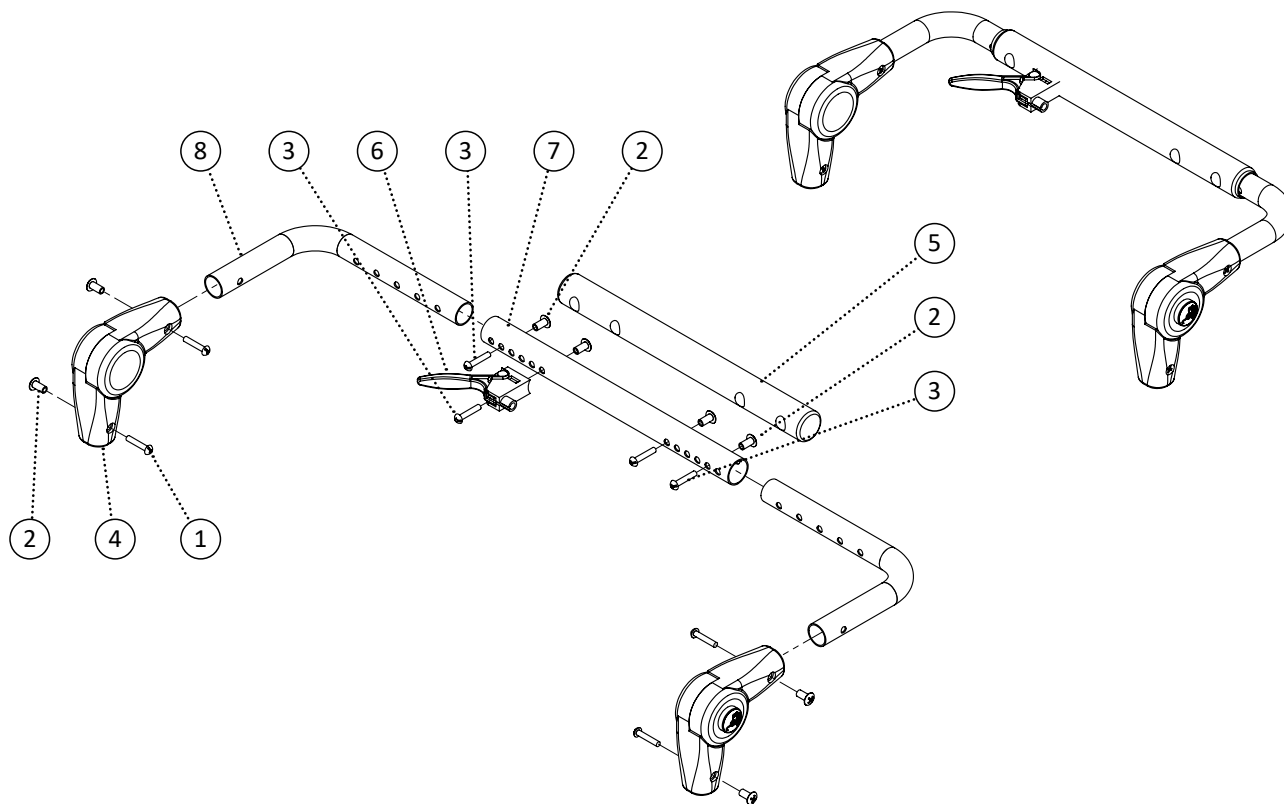
Item	REF Number	Description	Quantity	MSRP	Notes
1	549382	Screw, Truss Head 1/4-20 x 3/4	6		
2	548870	Nut, Nylon Lock Nut Thin 1/4-20	4		
3	548479	Cap, 1/2 Square Cap	1		
4	548841	Knob, 4 Prong 1/4-20 x 3/16	1		
5	549709	Bracket, Flat Headrest Mount 1/2	1		
6	549701	PPM, Lateral Bracket Fixed Long	1		
7	549702	PPM, Lateral Padding Bite Out	1		
8	549703	PPM, Lateral Padding no Bite Out	1		
1-5,6	549715	Kit, Lateral Padding Bite Out Left Fixed Long Complete	1		
1-5,6	549716	Kit, Lateral Padding Bite Out Right Fixed Long Complete	1		
1-5,7	549717	Kit, Lateral Padding no Bite Out Left Fixed Long Complete	1		
1-5,7	549718	Kit, Lateral Padding no Bite Out Right Fixed Long Complete	1		
1,2,4,5	549708	Kit, Bracket Flat Headrest Mount 1/2	1		



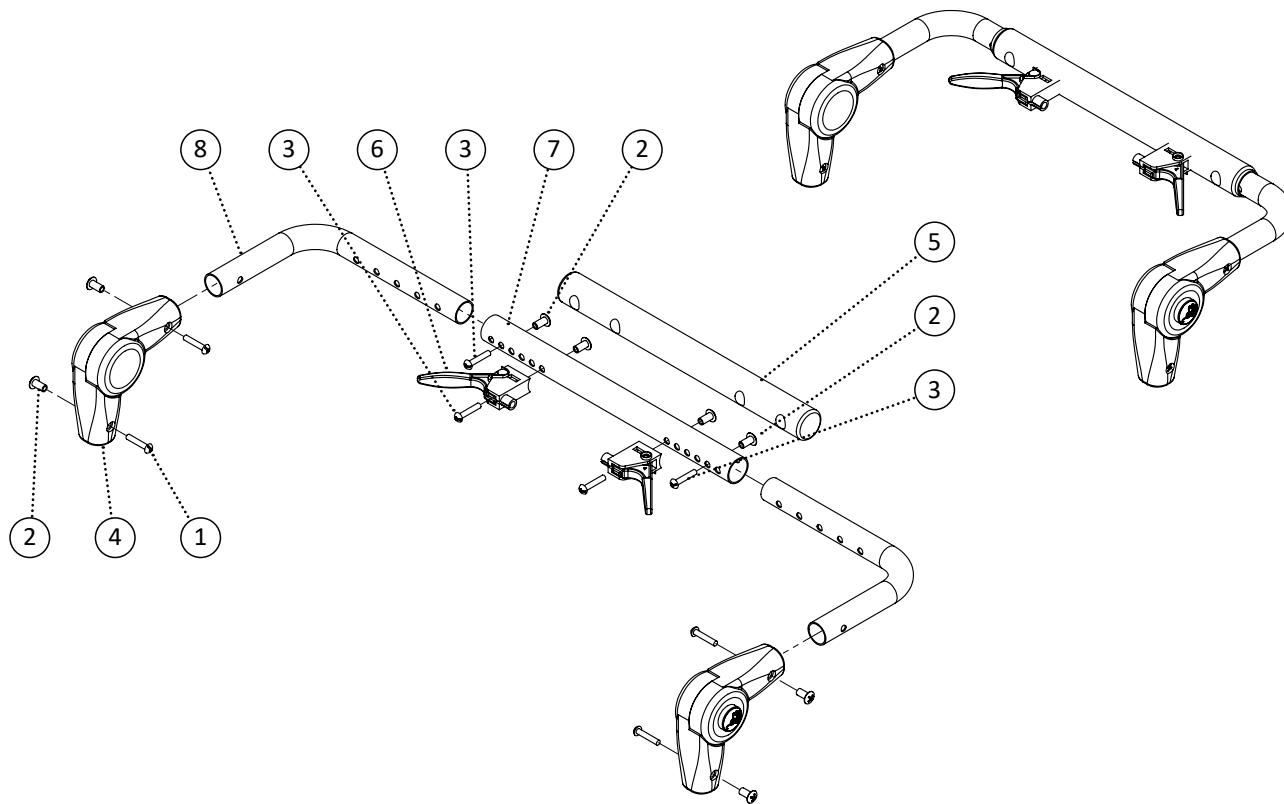
Item	REF Number	Description	Quantity	MSRP	Notes
1	549382	Screw, Truss Head 1/4-20 x 3/4	4		
2	548870	Nut, Nylon Lock Nut Thin 1/4-20	4		
3	549373	Screw, Socket Head 10-24 x 1	3		
4	549440	Washer, Swivel Pad Mount	1		
5	549439	Washer, Swivel Ball Mount	1		
6	548841	Knob, 4 Prong 1/4-20 x 3/16	1		
7	548479	Cap, 1/2 Square Cap	1		
8	549709	Bracket, Flat Headrest Mount 1/2	1		
9	549719	PPM, Lateral Bracket Multi-Axis 90 Degrees	1		
10	549702	PPM, Lateral Padding Bite Out	1		
11	549703	PPM, Lateral Padding no Bite Out	1		
1-9,10	549720	Kit, Lateral Padding Bite Out Left Multi-Axis 90 Complete	1		
1-9,10	549721	Kit, Lateral Padding Bite Out Right Multi-Axis 90 Complete	1		
1-9,11	549722	Kit, Lateral Padding no Bite Out Left Multi-Axis 90 Complete	1		
1-9,11	549723	Kit, Lateral Padding no Bite Out Right Multi-Axis 90 Complete	1		
1,2,6,8	549708	Kit, Bracket Flat Headrest Mount 1/2	1		
1,3,8	549815	Kit, Foot Pocket Hard 16 Right Complete	1		
1,4,9	549816	Kit, Foot Pocket Hard 18 Left Complete	1		
1,5,9	549817	Kit, Foot Pocket Hard 18 Right Complete	1		



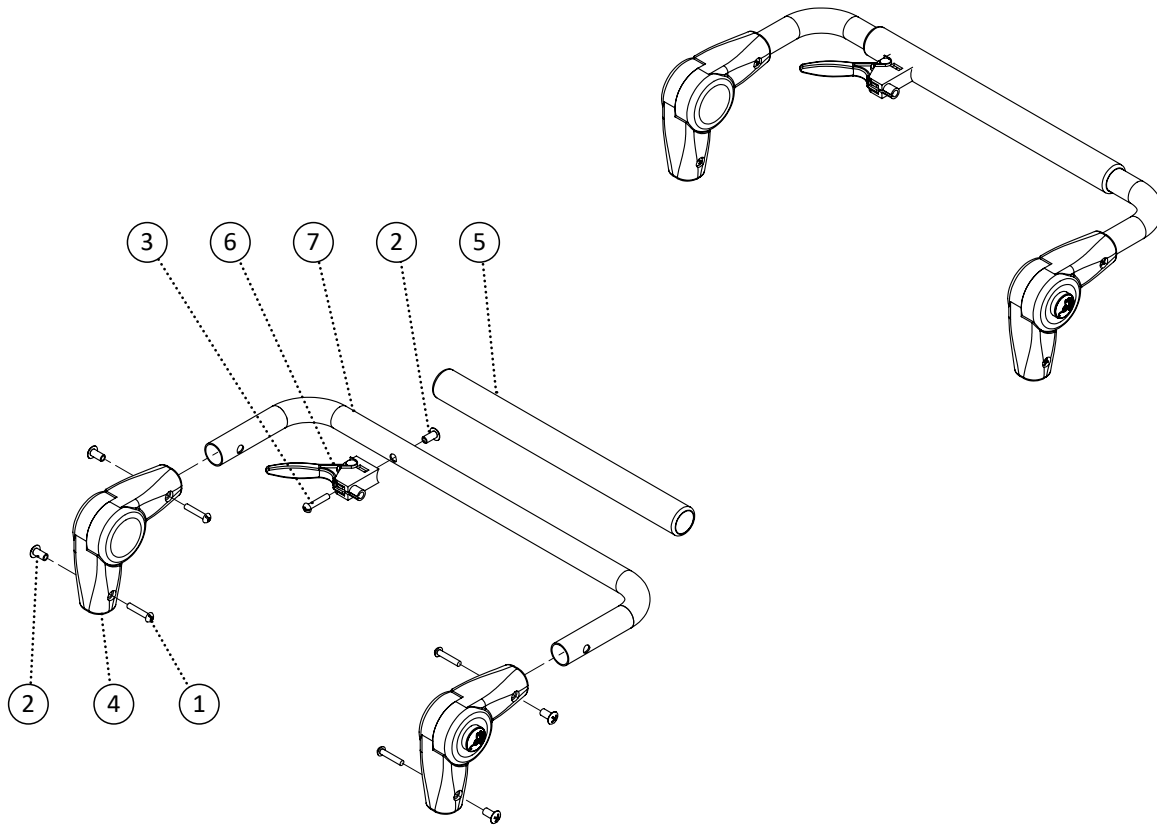
Item	REF Number	Description	Quantity	MSRP	Notes
1	549358	Screw, Round Head 10-24 x 1	4		
2	548877	Nut, Receiver 10-24	5		
3	549361	Screw, Round Head 10-24 x 3/4	1		
4	548565	Joint, Fixed Knuckle Joint	2		
5	548532	Grip, 1 Foam Grip	1		
6	549409	Trigger, Tilt Trigger	1		
7	549143	PPM, Spreader Bar Fixed 16	1		
8	549144	PPM, Spreader Bar Fixed 18	1		
9	549145	PPM, Spreader Bar Fixed 20	1		
10	549146	PPM, Spreader Bar Fixed 22	1		
11	549147	PPM, Spreader Bar Fixed 24	1		
1-6,7	548795	Kit, Spreader Bar - Fixed Joint, Fixed Bar 16 Complete Kit	1		
1-6,8	548796	Kit, Spreader Bar - Fixed Joint, Fixed Bar 18 Complete Kit	1		
1-6,9	548797	Kit, Spreader Bar - Fixed Joint, Fixed Bar 20 Complete Kit	1		
1-6,10	548798	Kit, Spreader Bar - Fixed Joint, Fixed Bar 22 Complete Kit	1		
1-6,11	548799	Kit, Spreader Bar - Fixed Joint, Fixed Bar 24 Complete Kit	1		



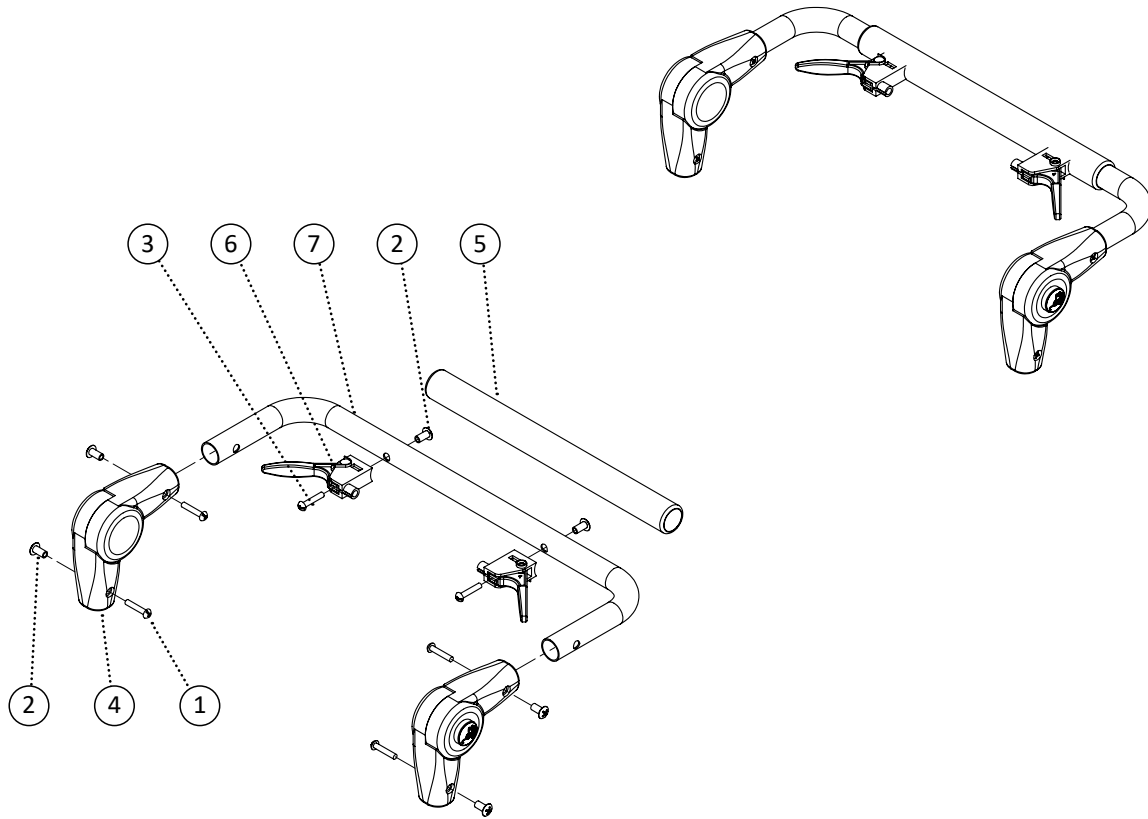
Item	REF Number	Description	Quantity	MSRP	Notes
1	549358	Screw, Round Head 10-24 x 1	4		
2	548877	Nut, Receiver 10-24	8		
3	549361	Screw, Round Head 10-24 x 3/4	4		
4	548564	Joint, Adjustable Knuckle Joint	2		
5	548532	Grip, 1 Foam Grip	1		
6	549409	Trigger, Tilt Trigger	1		
7	549142	PPM, Spreader Bar Center Extension	1		
8	549148	PPM, Spreader Bar L Bracket Receiver	2		
<b>1-8</b>	<b>548787</b>	<b>Kit, Spreader Bar - Adjustable Complete Kit</b>	<b>1</b>		



Item	REF Number	Description	Quantity	MSRP	Notes
1	549358	Screw, Round Head 10-24 x 1	4		
2	548877	Nut, Receiver 10-24	8		
3	549361	Screw, Round Head 10-24 x 3/4	4		
4	548564	Joint, Adjustable Knuckle Joint	2		
5	548532	Grip, 1 Foam Grip	1		
6	549409	Trigger, Tilt Trigger	2		
7	549142	PPM, Spreader Bar Center Extension	1		
8	549148	PPM, Spreader Bar L Bracket Receiver	2		
1-8	548789	Kit, Spreader Bar - Adjustable, Recline Complete Kit	1		

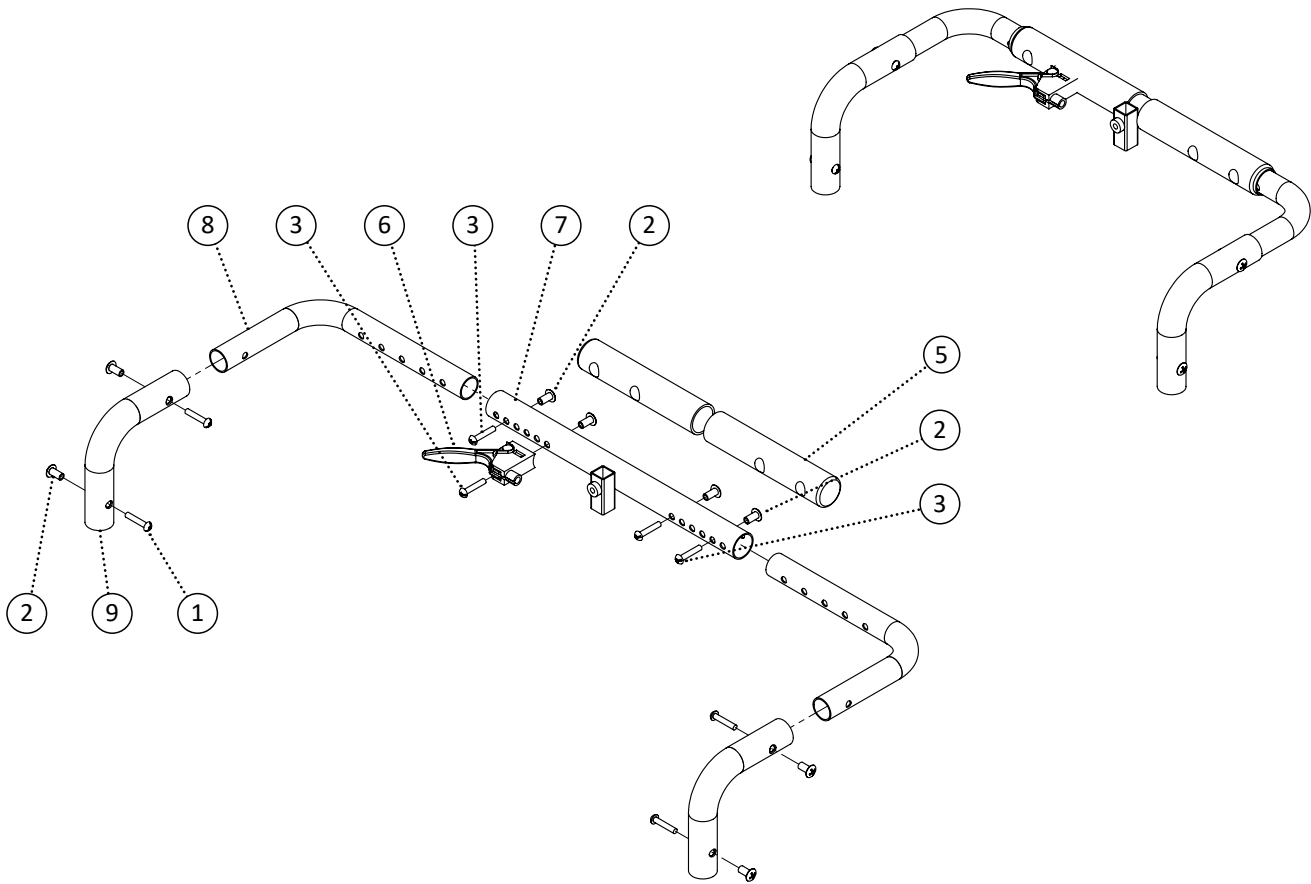


Item	REF Number	Description	Quantity	MSRP	Notes
1	549358	Screw, Round Head 10-24 x 1	4		
2	548877	Nut, Receiver 10-24	5		
3	549361	Screw, Round Head 10-24 x 3/4	1		
4	548564	Joint, Adjustable Knuckle Joint	2		
5	548532	Grip, 1 Foam Grip	1		
6	549409	Trigger, Tilt Trigger	1		
7	549143	PPM, Spreader Bar Fixed 16	1		
8	549144	PPM, Spreader Bar Fixed 18	1		
9	549145	PPM, Spreader Bar Fixed 20	1		
10	549146	PPM, Spreader Bar Fixed 22	1		
11	549147	PPM, Spreader Bar Fixed 24	1		
1-6,7	548790	Kit, Spreader Bar - Fixed Bar 16 Complete Kit	1		
1-6,8	548791	Kit, Spreader Bar - Fixed Bar 18 Complete Kit	1		
1-6,9	548792	Kit, Spreader Bar - Fixed Bar 20 Complete Kit	1		
1-6,10	548793	Kit, Spreader Bar - Fixed Bar 22 Complete Kit	1		
1-6,11	548794	Kit, Spreader Bar - Fixed Bar 24 Complete Kit	1		

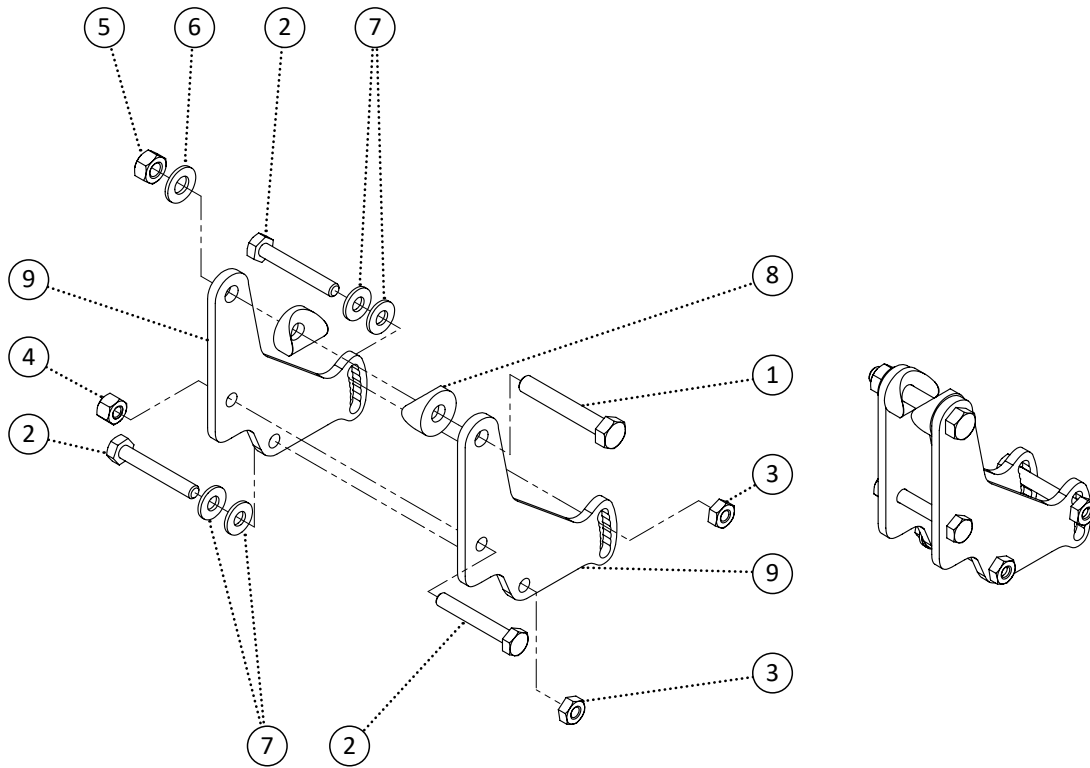


Item	REF Number	Description	Quantity	MSRP	Notes
1	549358	Screw, Round Head 10-24 x 1	4		
2	548877	Nut, Receiver 10-24	6		
3	549361	Screw, Round Head 10-24 x 3/4	2		
4	548565	Joint, Fixed Knuckle Joint	2		
5	548532	Grip, 1 Foam Grip	1		
6	549409	Trigger, Tilt Trigger	2		
7	549143	PPM, Spreader Bar Fixed 16	1		
8	549144	PPM, Spreader Bar Fixed 18	1		
9	549145	PPM, Spreader Bar Fixed 20	1		
10	549146	PPM, Spreader Bar Fixed 22	1		
11	549147	PPM, Spreader Bar Fixed 24	1		
1-6,7	548800	Kit, Spreader Bar - Fixed Joint, Recline 16 Complete Kit	1		
1-6,8	548801	Kit, Spreader Bar - Fixed Joint, Recline 18 Complete Kit	1		
1-6,9	548802	Kit, Spreader Bar - Fixed Joint, Recline 20 Complete Kit	1		
1-6,10	548803	Kit, Spreader Bar - Fixed Joint, Recline 22 Complete Kit	1		
1-6,11	548804	Kit, Spreader Bar - Fixed Joint, Recline 24 Complete Kit	1		

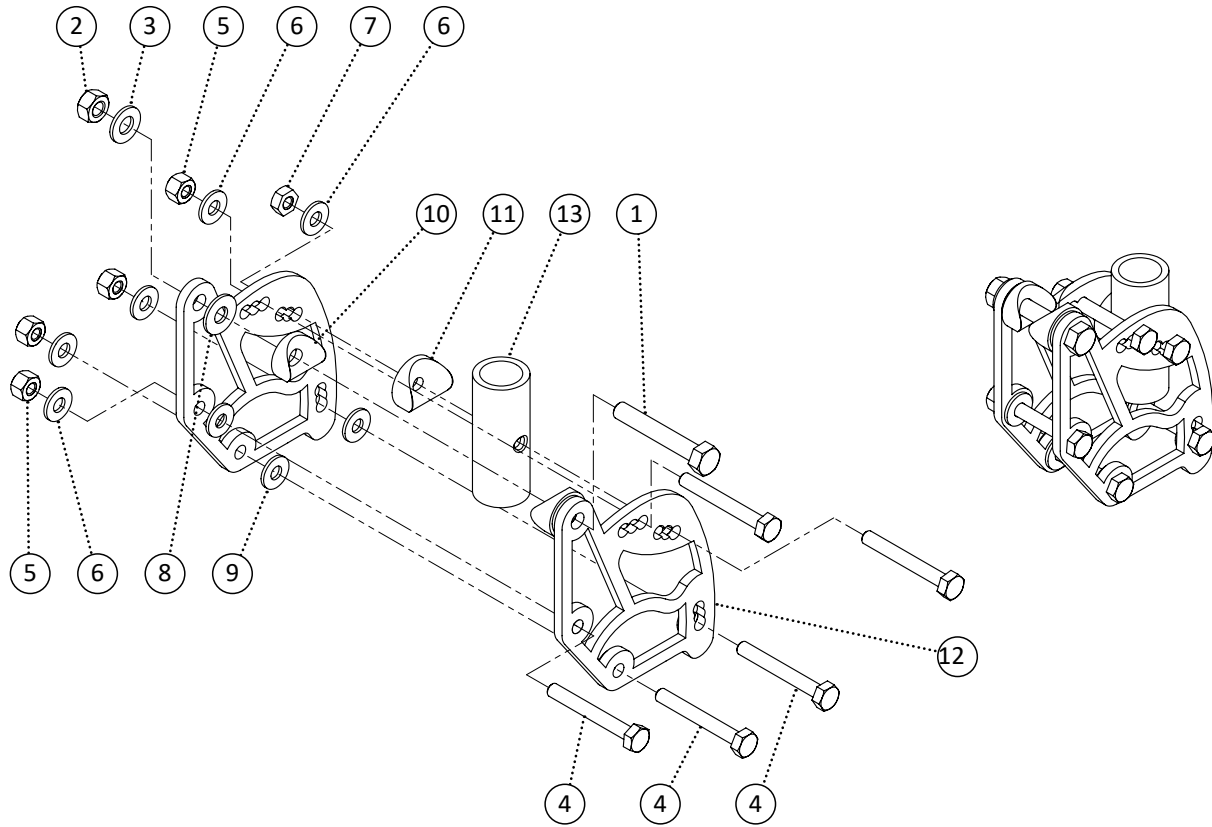




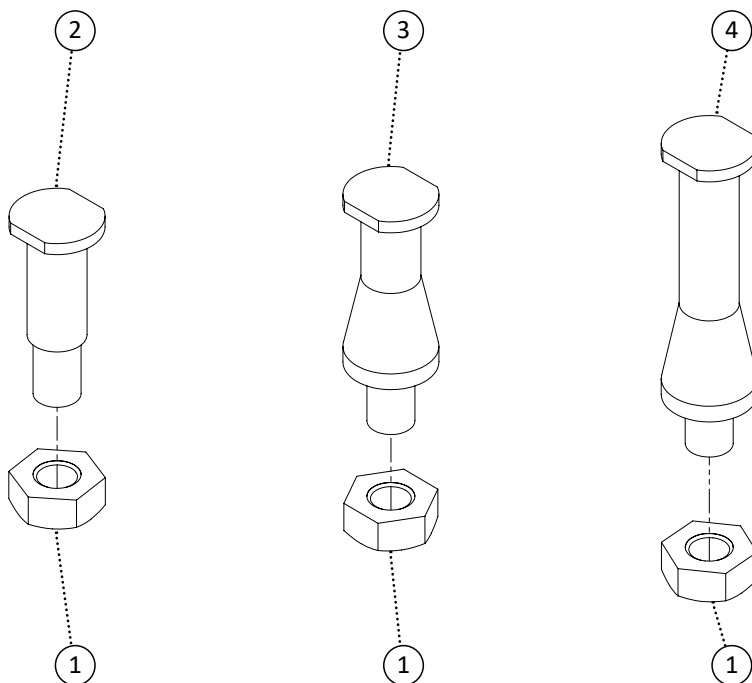
Item	REF Number	Description	Quantity	MSRP	Notes
1	549358	Screw, Round Head 10-24 x 1	4		
2	548877	Nut, Receiver 10-24	8		
3	549361	Screw, Round Head 10-24 x 3/4	4		
4	548565	Joint, Fixed Knuckle Joint	2		
5	548532	Grip, 1 Foam Grip	1		
6	549409	Trigger, Tilt Trigger	1		
7	549142	PPM, Spreader Bar Center Extension	1		
8	549148	PPM, Spreader Bar L Bracket Receiver	2		
9	548565	Joint, Fixed Knuckle Joint	2		
<b>1-9</b>	<b>548788</b>	<b>Kit, Spreader Bar - Adjustable, Headrest Mount Complete Kit</b>	<b>1</b>		



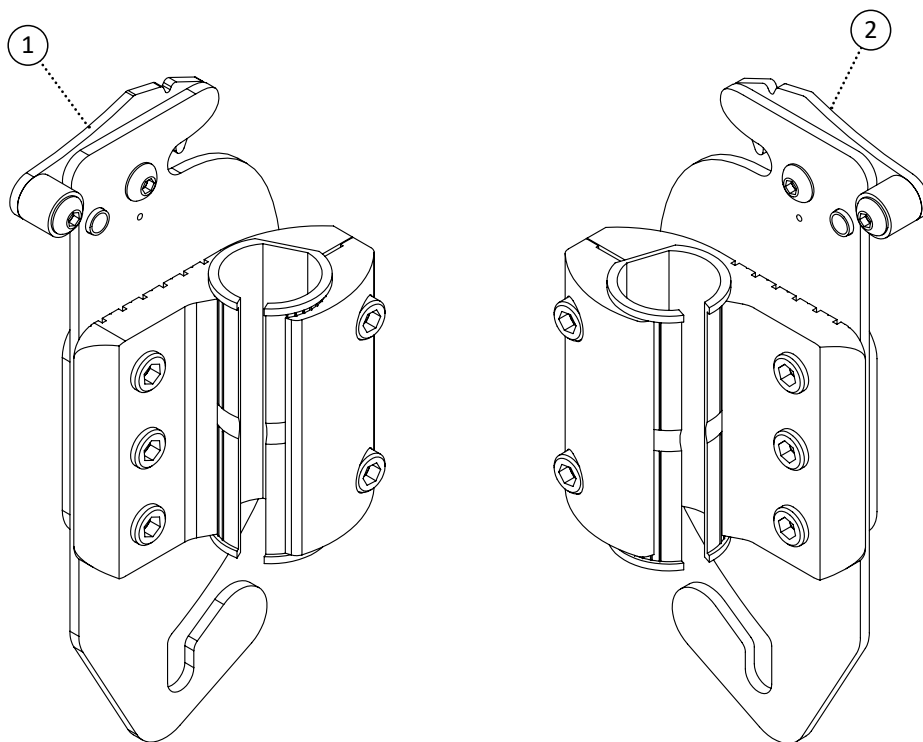
Item	REF Number	Description	Quantity	MSRP	Notes
1	549340	Screw, Hex Bolt 5/16-18 x 2 x 7/8	1		
2	549330	Screw, Hex Bolt 1/4-20 x 1-3/4	3		
3	548870	Nut, Nylon Lock Nut Thin 1/4-20	2		
4	548859	Nut, Nylon Lock Nut 1/4-20	1		
5	548862	Nut, Nylon Lock Nut 5/16-18	1		
6	549425	Washer, Flat Washer 5/16 ID. x 5/8 OD.	1		
7	549423	Washer, Flat Washer 1/4 ID. x 5/8 OD.	4		
8	549438	Washer, Radius Washer 7/8 (5/16 ID. x 7/8 OD. x 7/8cu)	2		
9	548413	Bracket, Angle Adjustable Bracket	2		
1-9	548598	Kit, Angle Adjustable Back Left Complete Kit	1		
1-9	548599	Kit, Angle Adjustable Back Right Complete Kit	1		



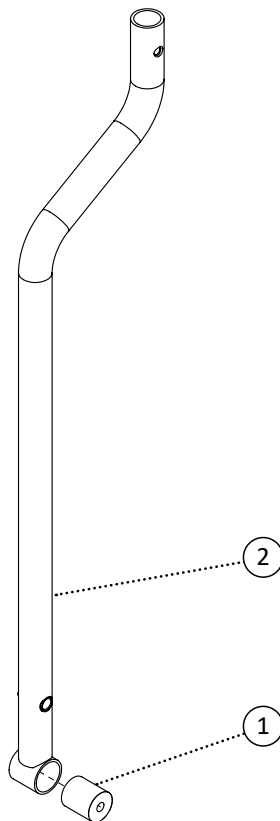
Item	REF Number	Description	Quantity	MSRP	Notes
1	549339	Screw, Hex Bolt 5/16-18 x 2	1		
2	548862	Nut, Nylon Lock Nut 5/16-18	1		
3	549425	Washer, Flat Washer 5/16 ID. x 5/8 OD.	1		
4	549331	Screw, Hex Bolt 1/4-20 x 2	5		
5	548859	Nut, Nylon Lock Nut 1/4-20	4		
6	549423	Washer, Flat Washer 1/4 ID. x 5/8 OD.	5		
7	548870	Nut, Nylon Lock Nut Thin 1/4-20	1		
8	549430	Washer, Nylon Washer 5/16 ID. x 3/4 OD. x .063thk	1		
9	549428	Washer, Nylon Washer .265ID x 5/8 OD x .063th	3		
10	549434	Washer, Radius Washer 1/4 ID. x 3/4 OD. x 3/4cu	2		
11	549433	Washer, Radius Washer 1/4 ID. x 1 OD. x 1cu	2		
12	548415	Bracket, Angle Adjustable Flip Back Bracket	2		
13	548934	PPM, Arm Flip Back Hinge Receiver	1		
<b>1-13</b>	<b>548601</b>	<b>Kit, Angle Adjustable Flip Back (STP/EXT)</b>	<b>1</b>		



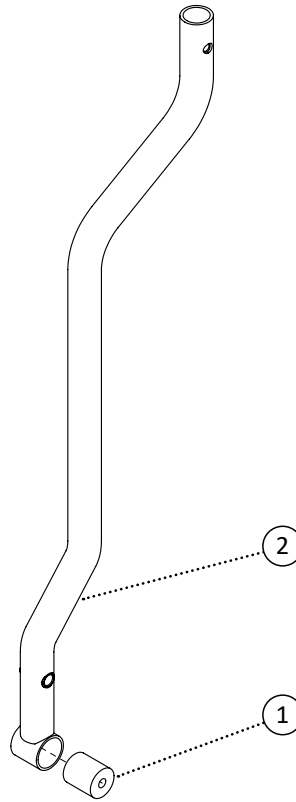
Item	REF Number	Description	Quantity	MSRP	Notes
1	548872	Nut, Nylon Lock Nut Thin 1/4-28	1		
2	549725	Pin, Back Pin Standard	1		
3	549726	Pin, Back Pin 1 Total Width	1		
4	549727	Pin, Back Pin 2 Total Width	1		
1,2	549728	Kit, Back Pin Standard Complete	1		
1,3	549729	Kit, Back Pin 1 Total Width Complete	1		
1,4	549730	Kit, Back Pin 2 Total Width Complete	1		



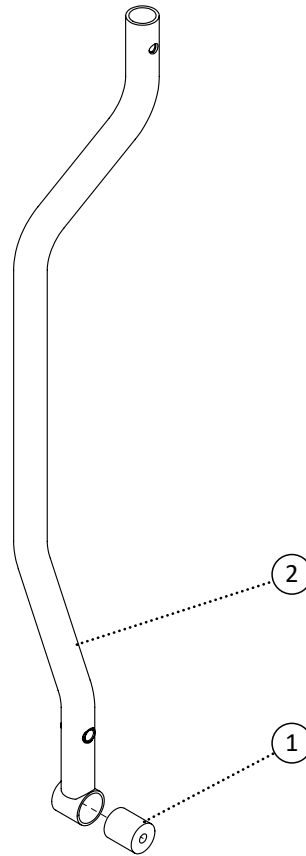
Item	REF Number	Description	Quantity	MSRP	Notes
1	548507	Clamp, Backpost Clamp Right	1		
2	548506	Clamp, Backpost Clamp Left	1		
<b>1-2</b>	<b>548630</b>	<b>Kit, Backpost Clamp Left and Right Complete Kit</b>	<b>1</b>		



Item	REF Number	Description	Quantity	MSRP	Notes
1	548468	Bushing, Nylon Bushing 1/4 ID. x 7/8 OD. x 1thk	1		
2	548959	PPM, Backpost Regular Length	1		
3	548958	PPM, Backpost Long Length	1		
<b>1,2</b>	<b>548650</b>	<b>Kit, Backpost Regular Length Complete</b>	<b>1</b>		
<b>1,3</b>	<b>548649</b>	<b>Kit, Backpost Long Legth Complete</b>	<b>1</b>		



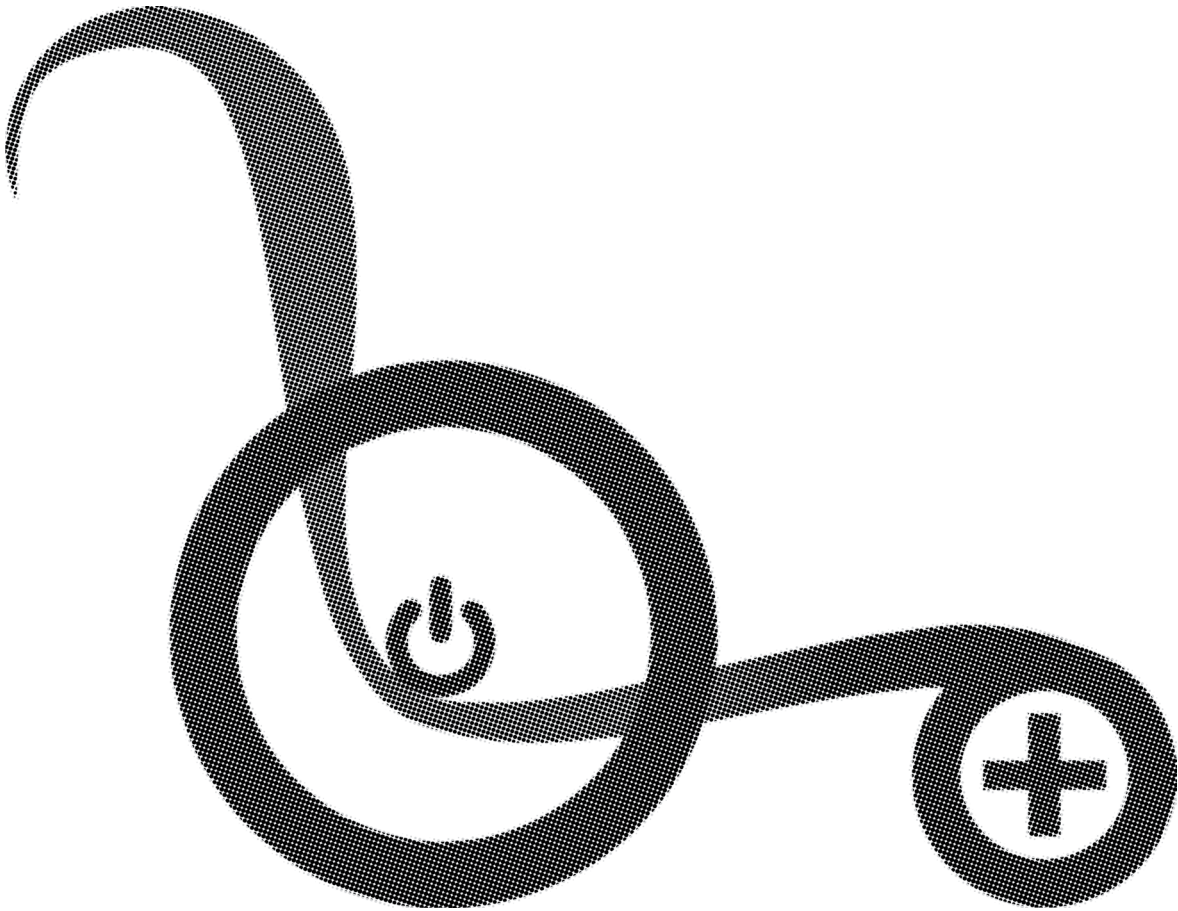
Item	REF Number	Description	Quantity	MSRP	Notes
1	548468	Bushing, Nylon Bushing 1/4 ID. x 7/8 OD. x 1thk	1		
2	548954	PPM, Backpost Endomorph Out 1/2 Offset Left	1		
3	548955	PPM, Backpost Endomorph Out 1/2 Offset Right	1		
4	548952	PPM, Backpost Endomorph Out 1 Offset Left	1		
5	548953	PPM, Backpost Endomorph Out 1 Offset Right	1		
6	548956	PPM, Backpost Endomorph Out 2 Offset Left	1		
7	548957	PPM, Backpost Endomorph Out 2 Offset Right	1		
1,2	548643	Kit, Backpost Endomorph Out 1/2 Offset Left Complete	1		
1,3	548645	Kit, Backpost Endomorph Out 1/2 Offset Right Complete	1		
1,2,3	548644	Kit, Backpost Endomorph Out 1/2 Offset Pair Complete	1		
1,4	548640	Kit, Backpost Endomorph Out 1 Offset Left Complete	1		
1,5	548642	Kit, Backpost Endomorph Out 1 Offset Right Complete	1		
1,4,5	548641	Kit, Backpost Endomorph Out 1 Offset Pair Complete	1		
1,6	548646	Kit, Backpost Endomorph Out 2 Offset Left Complete	1		
1,7	548648	Kit, Backpost Endomorph Out 2 Offset Right Complete	1		
1,6,7	548647	Kit, Backpost Endomorph Out 2 Offset Pair Complete	1		

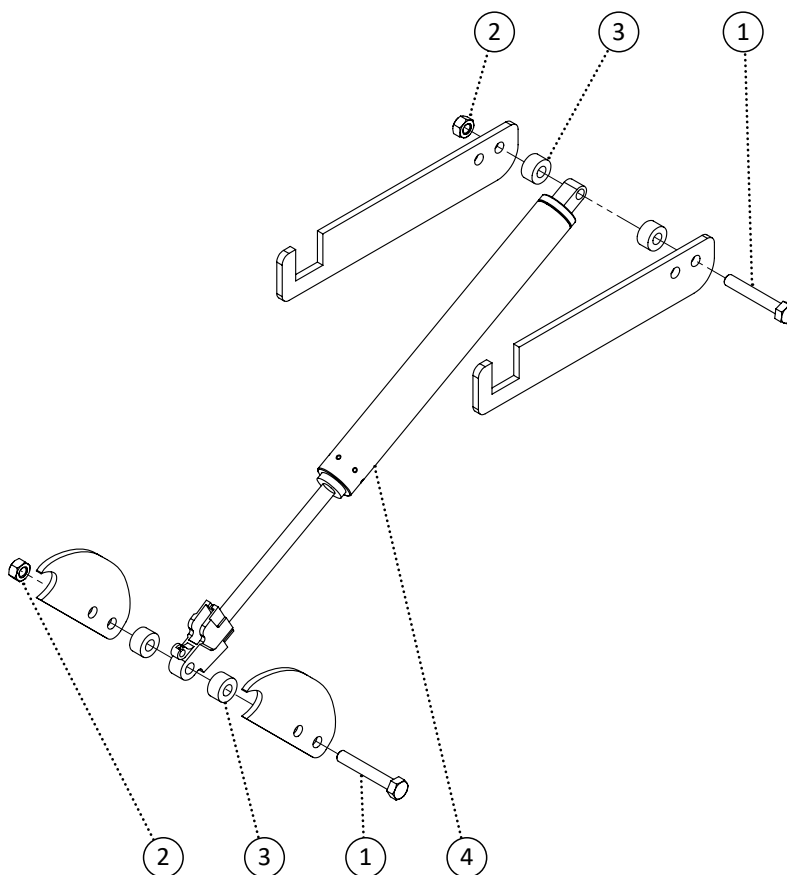


**Note:** If spreader kit is required, please provide chair width

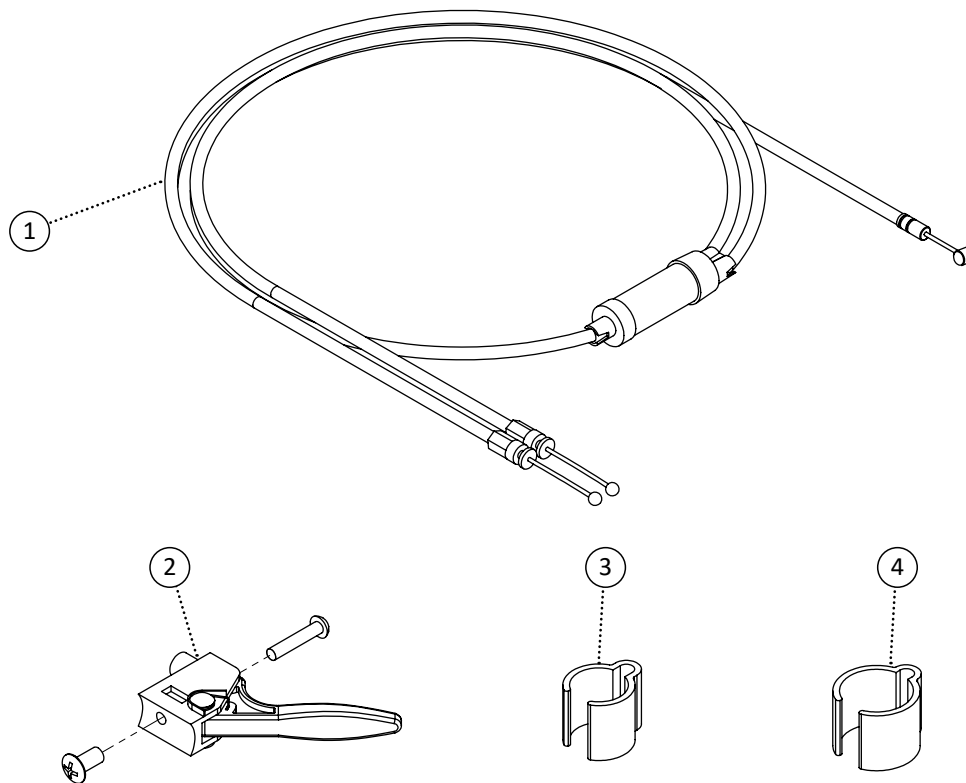
Item	REF Number	Description	Quantity	MSRP	Notes
1	548468	Bushing, Nylon Bushing 1/4 ID. x 7/8 OD. x 1thk	1		
2	548948	PPM, Backpost Endomorph In 1/2 Offset Left	1		
3	548949	PPM, Backpost Endomorph In 1/2 Offset Right	1		
4	548946	PPM, Backpost Endomorph In 1 Offset Left	1		
5	548947	PPM, Backpost Endomorph In 1 Offset Right	1		
6	548950	PPM, Backpost Endomorph In 2 Offset Left	1		
7	548951	PPM, Backpost Endomorph In 2 Offset Right	1		
1,2	548634	Kit, Backpost Endomorph In 1/2 Offset Left Complete	1		
1,3	548636	Kit, Backpost Endomorph In 1/2 Offset Right Complete	1		
1,2,3	548635	Kit, Backpost Endomorph In 1/2 Offset Pair Complete	1		
1,4	548631	Kit, Backpost Endomorph In 1 Offset Left Complete	1		
1,5	548633	Kit, Backpost Endomorph In 1 Offset Right Complete	1		
1,4,5	548632	Kit, Backpost Endomorph In 1 Offset Pair Complete	1		
1,6	548637	Kit, Backpost Endomorph In 2 Offset Left Complete	1		
1,7	548639	Kit, Backpost Endomorph In 2 Offset Right Complete	1		
1,6,7	548638	Kit, Backpost Endomorph In 2 Offset Pair Complete	1		



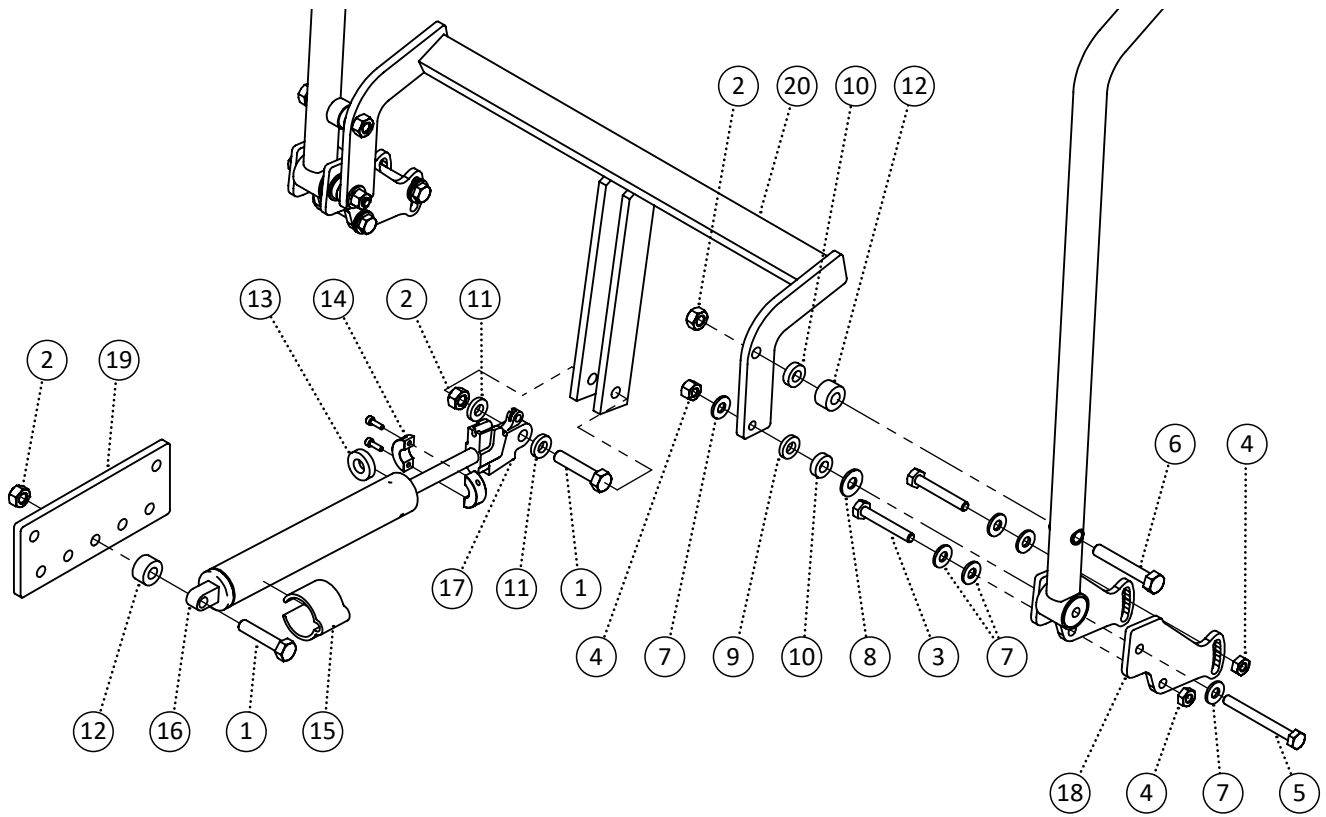




Item	REF Number	Description	Quantity	MSRP	Notes
1	549339	Screw, Hex Bolt 5/16-18 x 2	4		
2	548862	Nut, Nylon Lock Nut 5/16-18	4		
3	549394	Spacer, Nylon Spacer 8.3mm ID. x 18mm OD. x .10mmthk	8		
4	548515	Cylinder, Gas Spring 400N Long	2		
1-4	548828	Kit, Tilt Cylinders (Extreme) Complete Kit	1		

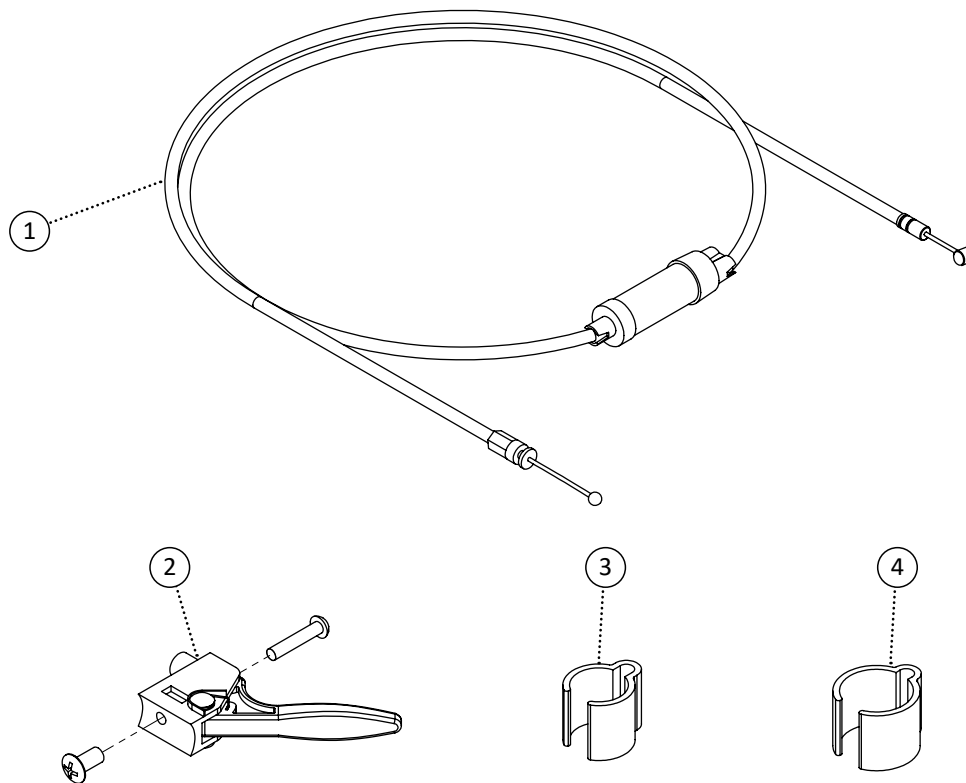


Item	REF Number	Description	Quantity	MSRP	Notes
1	548472	Cable, Cable Tilt Long Split	1		
2	549409	Trigger, Tilt Trigger	1		
3	548504	Clamp, 7/8 Tube Clamp	2		
4	548503	Clamp, 1 Tube Clamp	1		
1-4	548715	Kit, Extreme Tilt Cable Complete Kit	1		

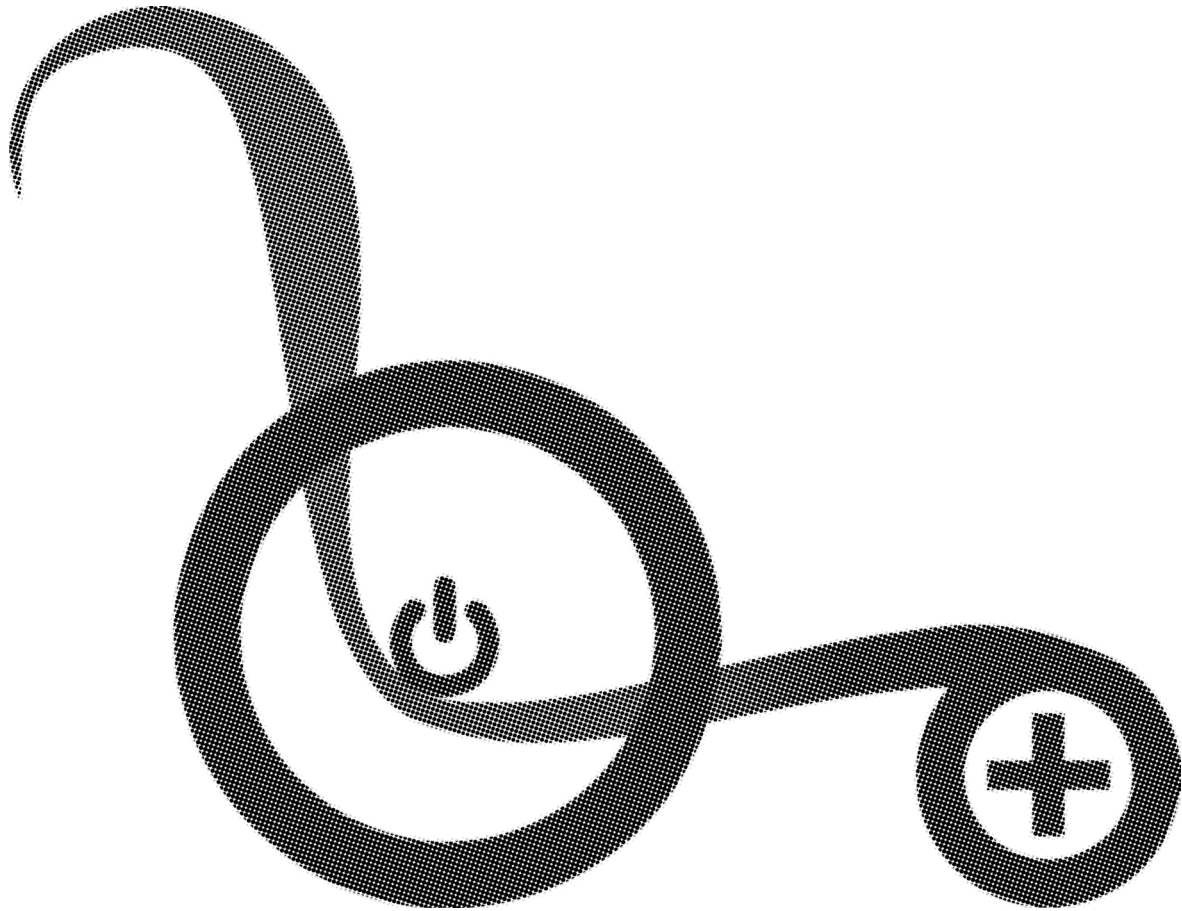


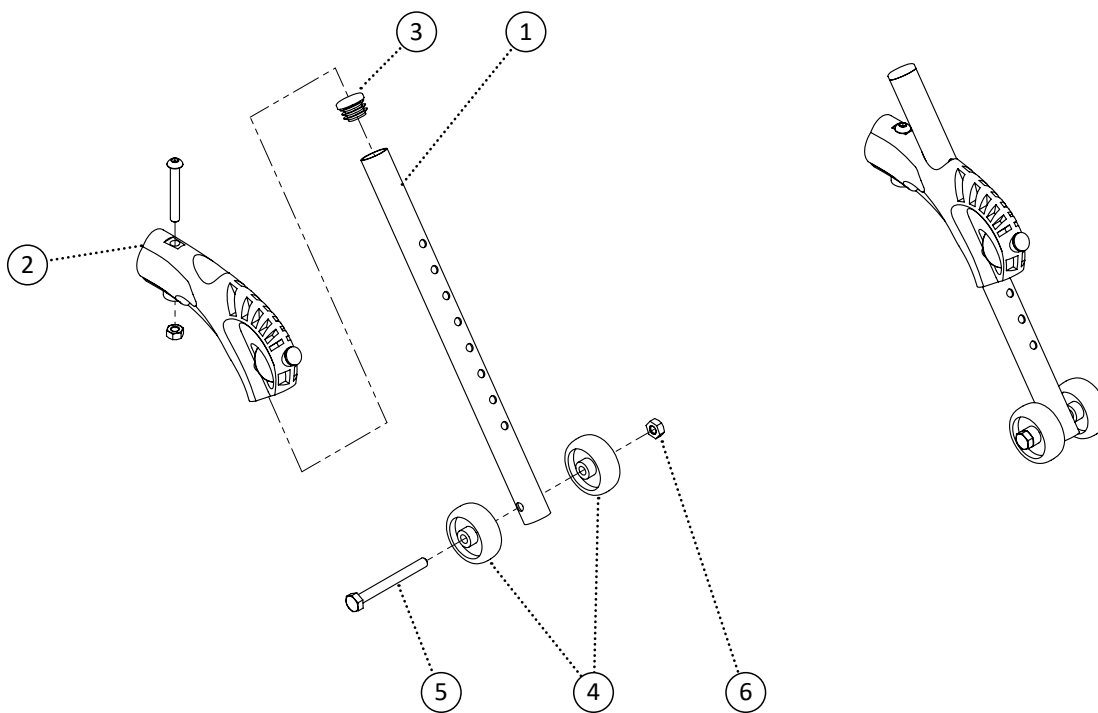
Item	REF Number	Description	Quantity	MSRP	Notes
1	549337	Screw, Hex Bolt 5/16-18 x 1-1/2	2		
2	548862	Nut, Nylon Lock Nut 5/16-18	4		
3	549330	Screw, Hex Bolt 1/4-20 x 1-3/4	4		
4	548859	Nut, Nylon Lock Nut 1/4-20	5		
5	549333	Screw, Hex Bolt 1/4-20 x 2-1/2	2		
6	549339	Screw, Hex Bolt 5/16-18 x 2	2		
7	549423	Washer, Flat Washer 1/4 ID. x 5/8 OD.	8		
8	549430	Washer, Nylon Washer 5/16 ID. x 3/4 OD. x .063thk	2		
9	549389	Spacer, Nylon Spacer 5/16 ID. x .6 OD x .12thk (wht)	2		
10	549390	Spacer, Nylon Spacer 5/16 ID. x .6 OD. x .18thk (blk)	4		
11	549389	Spacer, Nylon Spacer 5/16 ID. x .6 OD x .12thk (wht)	2		
12	549394	Spacer, Nylon Spacer 8.3mm ID. x 18mm OD. x .10mmthk	3		
13	549395	Spacer, Rubber Spacer .39 ID. x .8 OD. x 0.2th	1		
14	548849	Lock, Collar Lock Subassembly	1		
15	548503	Clamp, 1 Tube Clamp	1		
16	548511	Cylinder, Gas Spring 200N	1		
17	548517	Cylinder, Head	1		
18	548414	Bracket, Angle Adjustable Bracket Recline	4		
19	549047	PPM, EXT Recline Cylinder Bracket	1		

Item	REF Number	Description	Quantity	MSRP	Notes
20	549967	PPM, Recline Back Bracket (Extreme) 16	1		
21	549968	PPM, Recline Back Bracket (Extreme) 17	1		
22	549969	PPM, Recline Back Bracket (Extreme) 18	1		
23	549970	PPM, Recline Back Bracket (Extreme) 19	1		
24	549971	PPM, Recline Back Bracket (Extreme) 20	1		
25	549972	PPM, Recline Back Bracket (Extreme) 21	1		
26	549973	PPM, Recline Back Bracket (Extreme) 22	1		
27	549974	PPM, Recline Back Bracket (Extreme) 23	1		
28	549975	PPM, Recline Back Bracket (Extreme) 24	1		
<b>1-19,20</b>	<b>549976</b>	<b>Kit, Recline Back Bracket (Extreme) 16 Complete</b>	<b>1</b>		
<b>1-19,21</b>	<b>549977</b>	<b>Kit, Recline Back Bracket (Extreme) 17 Complete</b>	<b>1</b>		
<b>1-19,22</b>	<b>549978</b>	<b>Kit, Recline Back Bracket (Extreme) 18 Complete</b>	<b>1</b>		
<b>1-19,23</b>	<b>549979</b>	<b>Kit, Recline Back Bracket (Extreme) 19 Complete</b>	<b>1</b>		
<b>1-19,24</b>	<b>549980</b>	<b>Kit, Recline Back Bracket (Extreme) 20 Complete</b>	<b>1</b>		
<b>1-19,25</b>	<b>549981</b>	<b>Kit, Recline Back Bracket (Extreme) 21 Complete</b>	<b>1</b>		
<b>1-19,26</b>	<b>549982</b>	<b>Kit, Recline Back Bracket (Extreme) 22 Complete</b>	<b>1</b>		
<b>1-19,27</b>	<b>549983</b>	<b>Kit, Recline Back Bracket (Extreme) 23 Complete</b>	<b>1</b>		
<b>1-19,28</b>	<b>549984</b>	<b>Kit, Recline Back Bracket (Extreme) 24 Complete</b>	<b>1</b>		



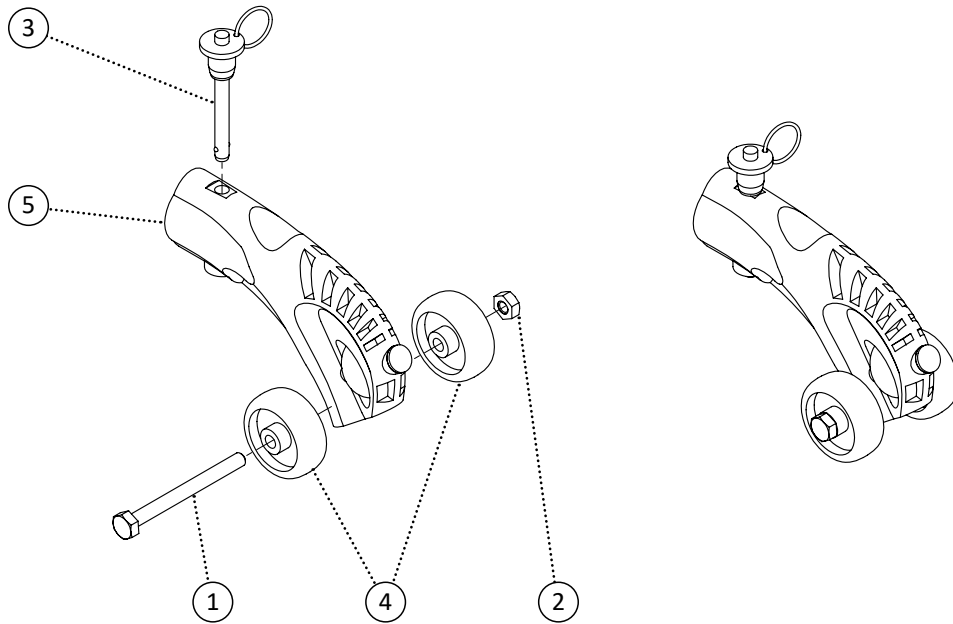
Item	REF Number	Description	Quantity	MSRP	Notes
1	548477	Cable, Tilt Cable Recline	1		
2	549409	Trigger, Tilt Trigger	1		
3	548504	Clamp, 7/8 Tube Clamp	2		
4	548503	Clamp, 1 Tube Clamp	1		
1-4	548714	Kit, Extreme Recline Back Cable Complete Kit	1		



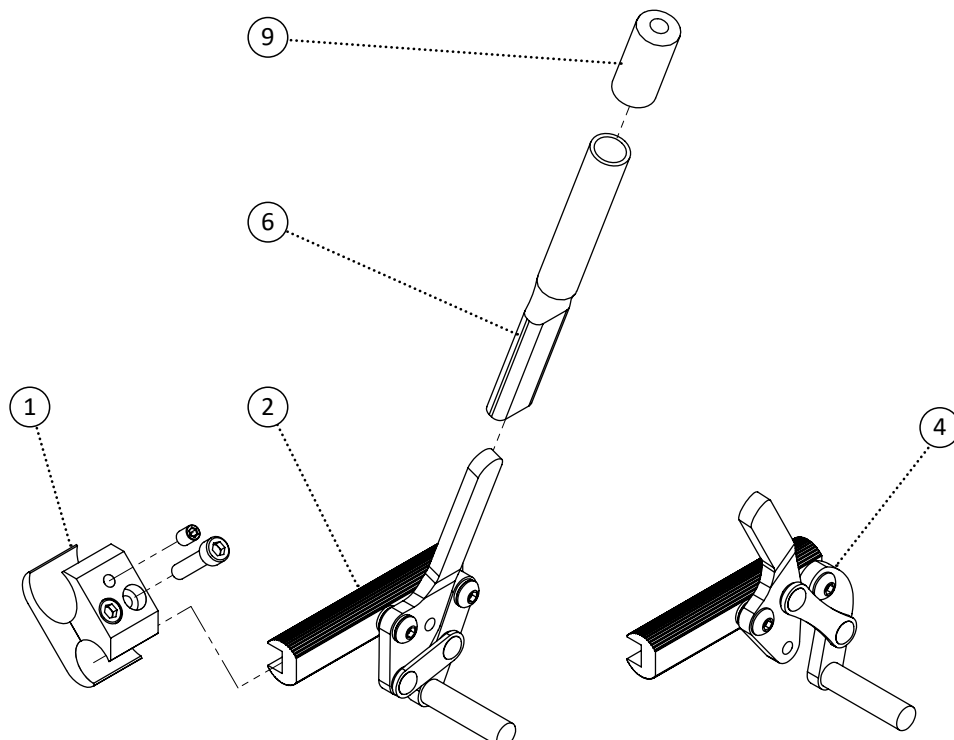


Item	REF Number	Description	Quantity	MSRP	Notes
1	548929	PPM, Anti-Tipper Extension	1		
2	548404	Block, Anti-Tipper Block	1		
3	548497	Cap, Round Plug 3/4	1		
4	549317	Roller, Anti-Tipper Roller 1-5/8	2		
5	549333	Screw, Hex Bolt 1/4-20 x 2-1/2	1		
6	548859	Nut, Nylon Lock Nut 1/4-20	1		
1-6	548552	Kit, Adjustable Anti-Tipper Complete Kit	1		

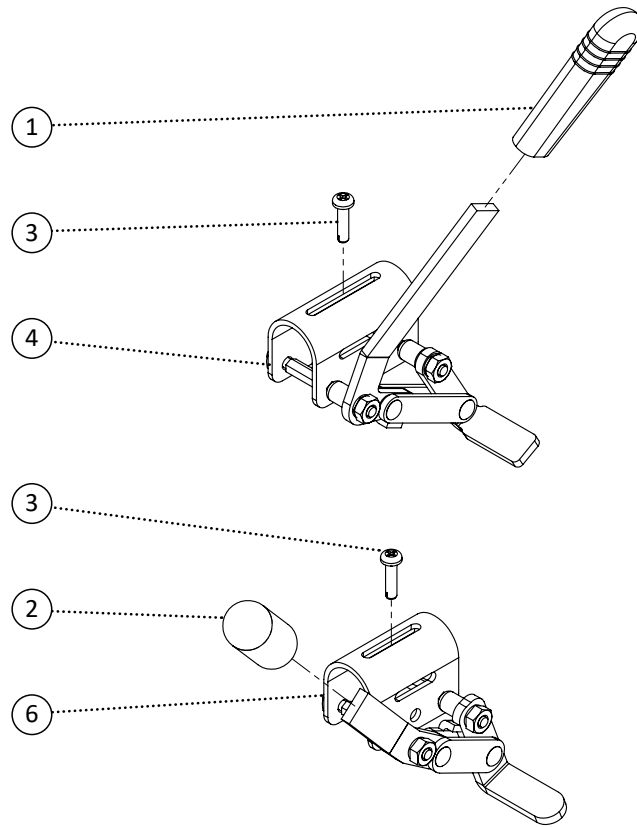




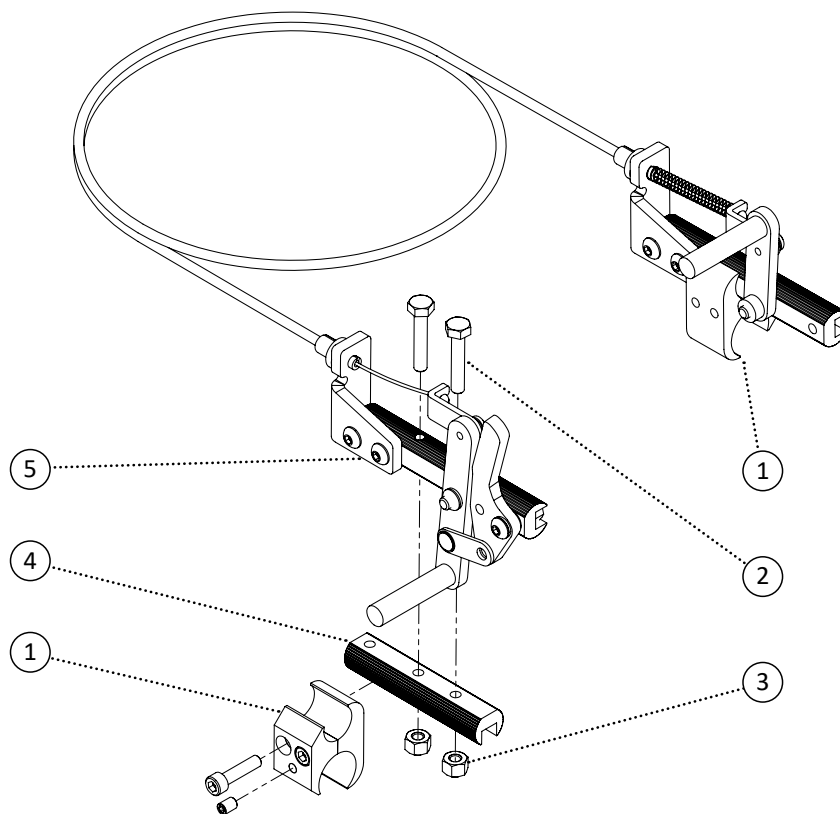
Item	REF Number	Description	Quantity	MSRP	Notes
1	549333	Screw, Hex Bolt 1/4-20 x 2-1/2	1		
2	548859	Nut, Nylon Lock Nut 1/4-20	1		
3	548883	Pin, Detachable Pin	1		
4	549317	Roller, Anti-Tipper Roller 1-5/8	2		
5	548404	Block, Anti-Tipper Block	1		
<b>1-5</b>	<b>548786</b>	<b>Kit, Short Anti-Tipper Complete Kit</b>	<b>1</b>		



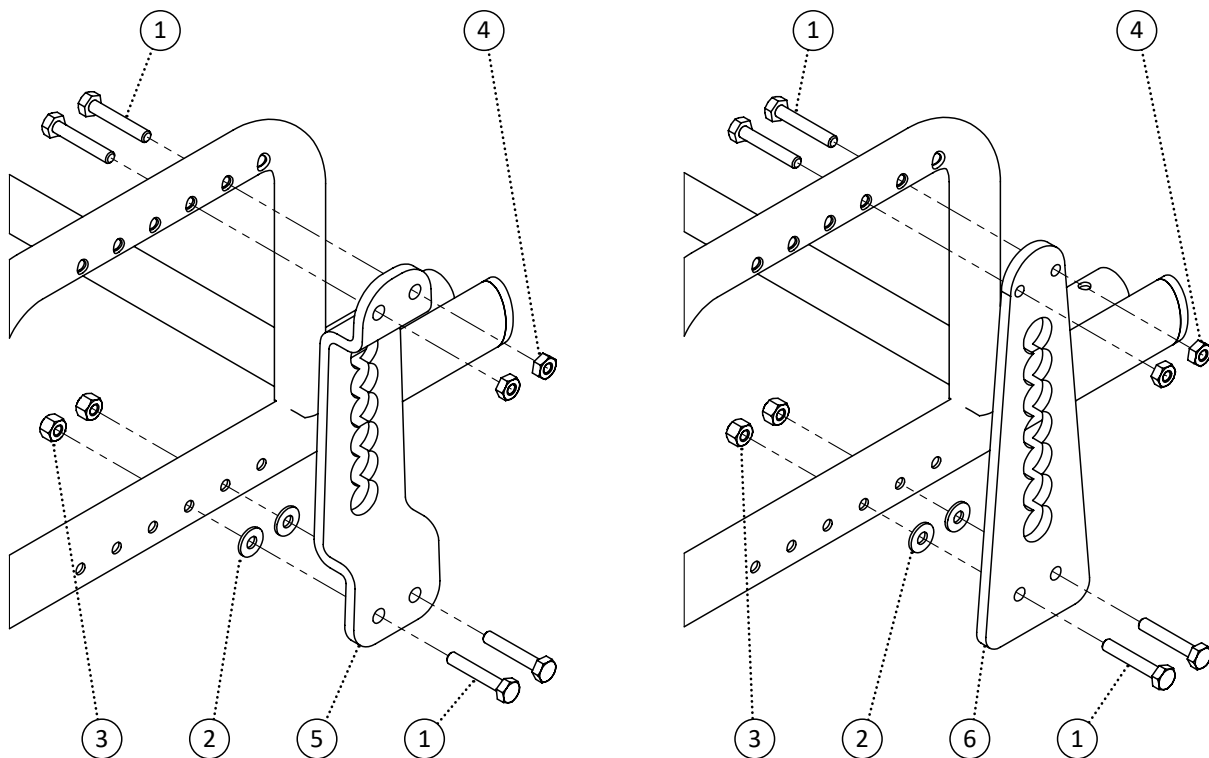
Item	REF Number	Description	Quantity	MSRP	Notes
1	548505	Clamp, Aluminum Brake Clamp	1		
2	548448	Brake, Aluminum Push Wheel Lock Left	1		
3	548449	Brake, Aluminum Push Wheel Lock Right	1		
4	548446	Brake, Aluminum Pull Wheel Lock Left	1		
5	548447	Brake, Aluminum Pull Wheel Lock Right	1		
6	548989	PPM, Brake Extension 4	1		
7	548990	PPM, Brake Extension 6	1		
8	548991	PPM, Brake Extension 9	1		
9	548487	Cap, Brake Extension Cap Red	1		
10	548485	Cap, Brake Extension Cap Blue	1		
1,7,10,2	548581	Kit, Aluminum Push Wheel Lock Left Complete Kit	1		
1,7,10,3	548582	Kit, Aluminum Push Wheel Lock Right Complete Kit	1		
1,7,10,4	548579	Kit, Aluminum Pull Wheel Lock Left Complete Kit	1		
1,7,10,5	548580	Kit, Aluminum Pull Wheel Lock Right Complete Kit	1		



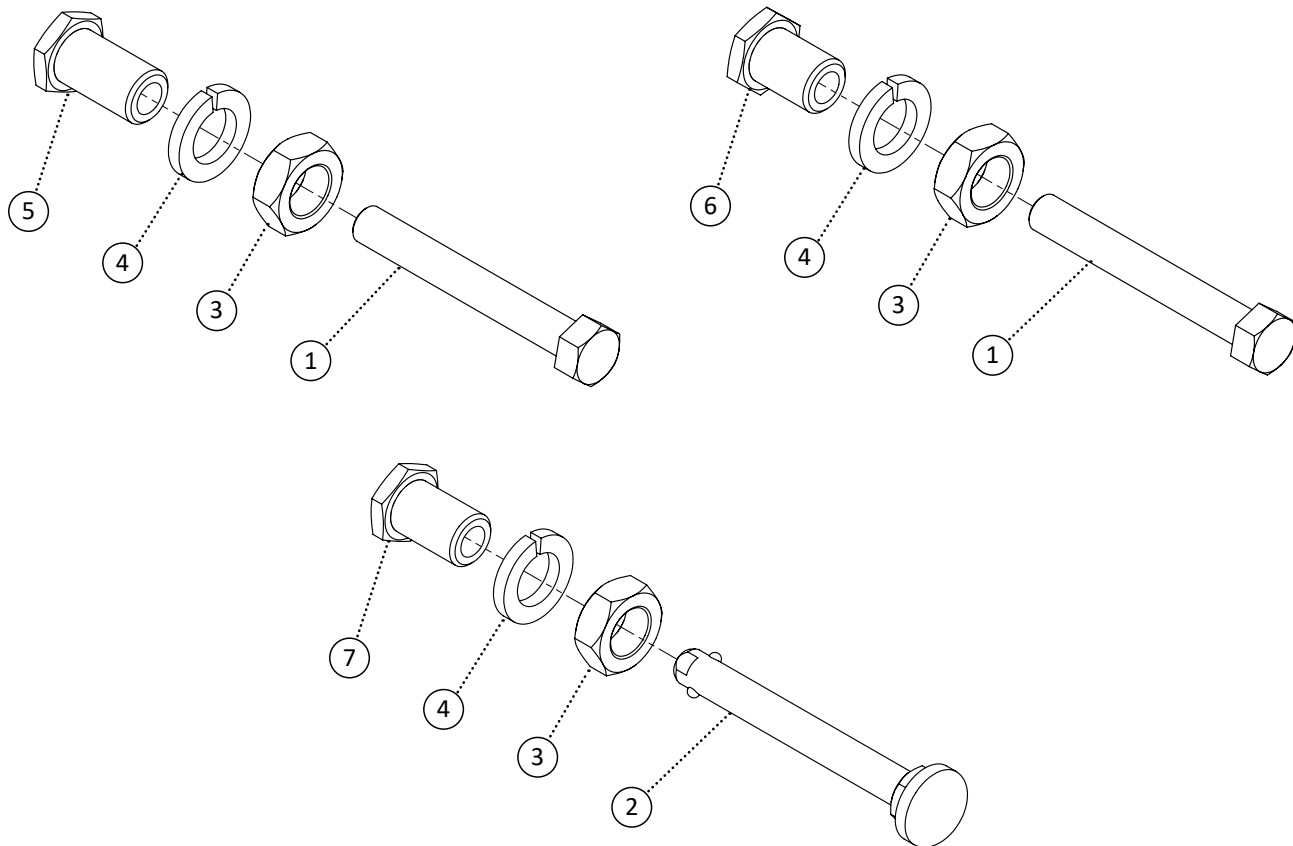
Item	REF Number	Description	Quantity	MSRP	Notes
1	548486	Cap, Brake Extension Cap Grey	1		
2	548484	Cap, Brake Extension Cap Black	1		
3	549380	Screw, Tapping M5-0.8 x 20	1		
4	548452	Brake, Steel Pull Wheel Lock Left	1		
5	548453	Brake, Steel Pull Wheel Lock Right	1		
6	548454	Brake, Steel Push Wheel Lock Left	1		
7	548455	Brake, Steel Push Wheel Lock Right	1		
1,3,4	548820	Kit, Steel Pull Wheel Lock Left Complete Kit	1		
1,3,5	548821	Kit, Steel Pull Wheel Lock Right Complete Kit	1		
1,3,6	548822	Kit, Steel Push Wheel Lock Left Complete Kit	1		
1,3,7	548823	Kit, Steel Push Wheel Lock Right Complete Kit	1		



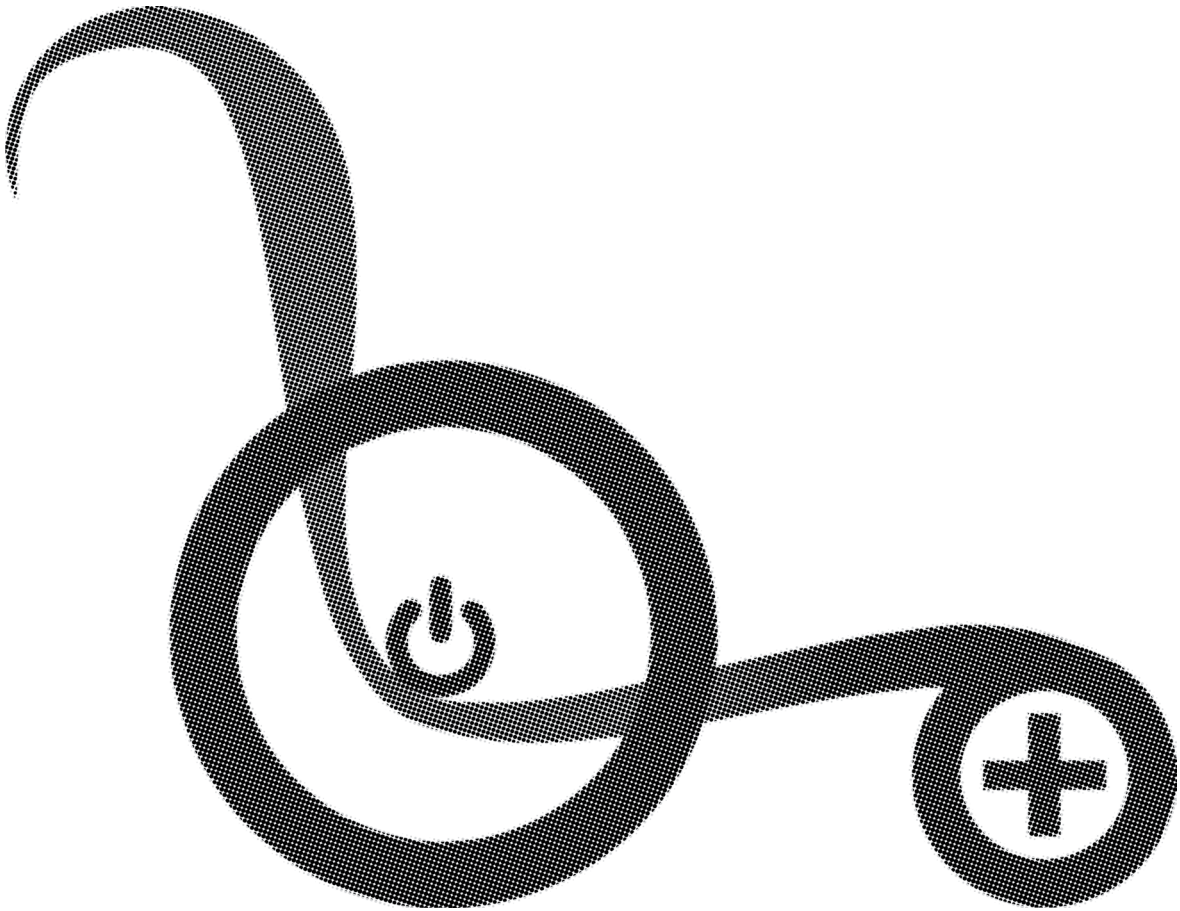
Item	REF Number	Description	Quantity	MSRP	Notes
1	548505	Clamp, Aluminum Brake Clamp	2		
2	549336	Screw, Hex Bolt 1/4-20 x 3/8	2		
3	548859	Nut, Nylon Lock Nut 1/4-20	2		
4	548450	Brake, Aluminum Wheel Lock Bracket	1		
5	549985	Brake, One Handed Brake Set Left	1		
6	549986	Brake, One Handed Brake Set Right	1		
1-4,5	549987	Kit, One Handed Brakes Tilt Left Complete Kit	1		
1-4,6	549988	Kit, One Handed Brakes Tilt Right Complete Kit	1		
1,5	549989	Kit, One Handed Brakes Folding Left Complete Kit	1		
1,6	549990	Kit, One Handed Brakes Folding Right Complete Kit	1		

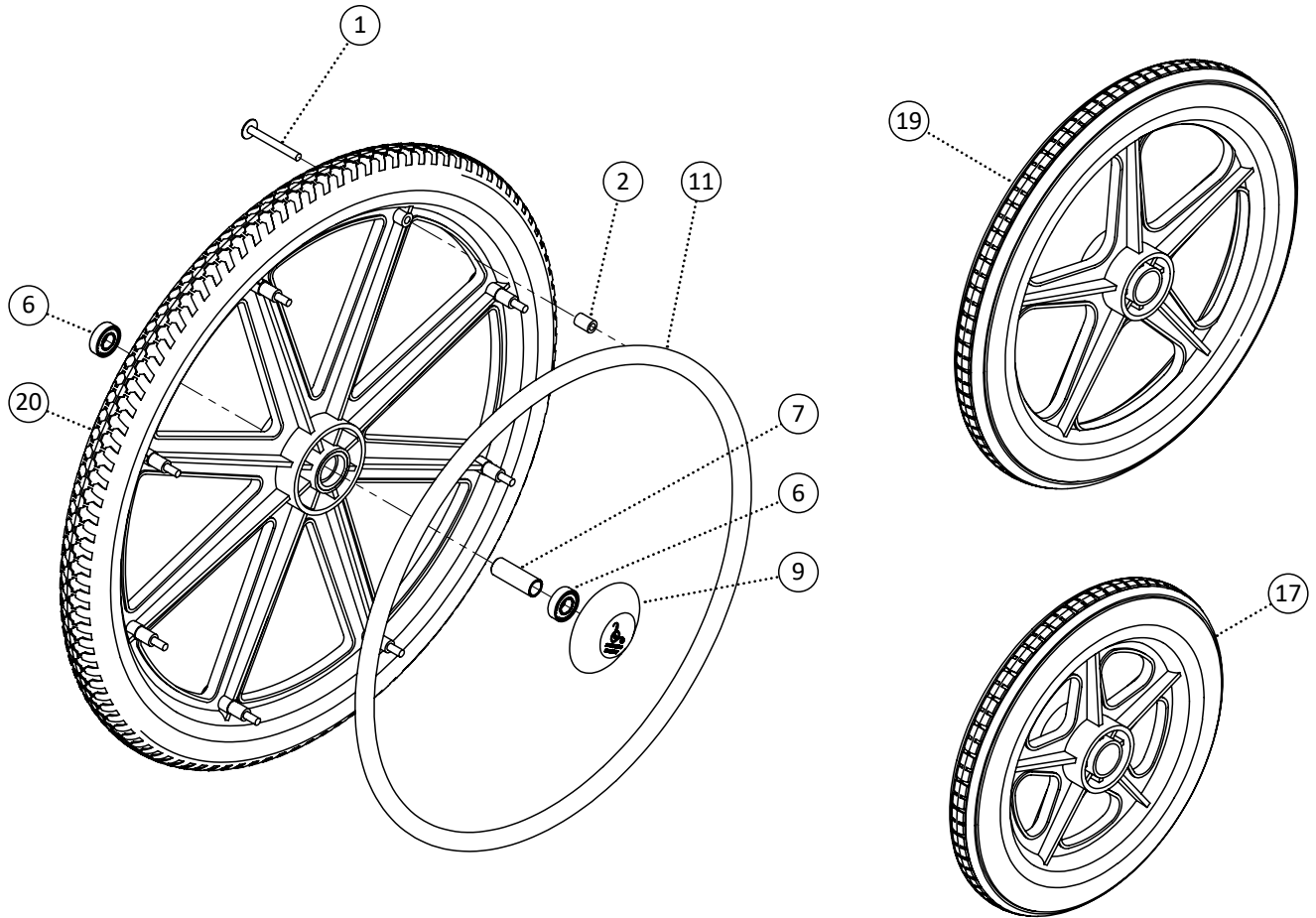


Item	REF Number	Description	Quantity	MSRP	Notes
1	549327	Screw, Hex Bolt 1/4-20 x 1-1/2	4		
2	549428	Washer, Nylon Washer .265ID x 5/8 OD x .063th	2		
3	548859	Nut, Nylon Lock Nut 1/4-20	2		
4	548870	Nut, Nylon Lock Nut Thin 1/4-20	2		
5	548893	Bracket, Recess Axle Bracket	1		
6	548894	Bracket, Straight Axle Bracket	1		
1-5	548783	Kit, Recess Axle Plate Complete Kit	1		
1-4,6	548827	Kit, Straight Plate Complete Kit	1		



Item	REF Number	Description	Quantity	MSRP	Notes
1	548396	Axle, Bolt 1/2-20 x 3-3/4	1		
2	548397	Axle, Quick Release	1		
3	548854	Nut, Jam Nut 3/4-16	1		
4	549427	Washer, Lock Washer 3/4	1		
5	548393	Axle, Axle Receiver Bolted Long	1		
6	548394	Axle, Axle Receiver Bolted Short	1		
7	548395	Axle, Axle Receiver Quick Release	1		
1,3,4,5	548627	Kit, Axle Bolted Long	1		
1,3,4,6	548628	Kit, Axle Bolted Short	1		
2,3,4,7	548629	Kit, Axle Quick Release	1		

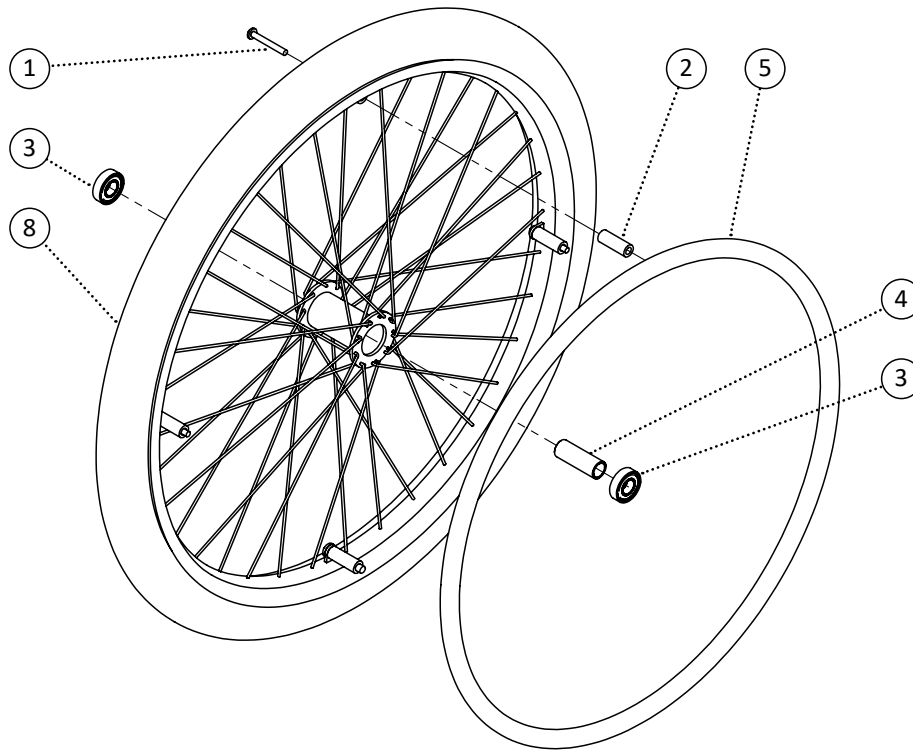




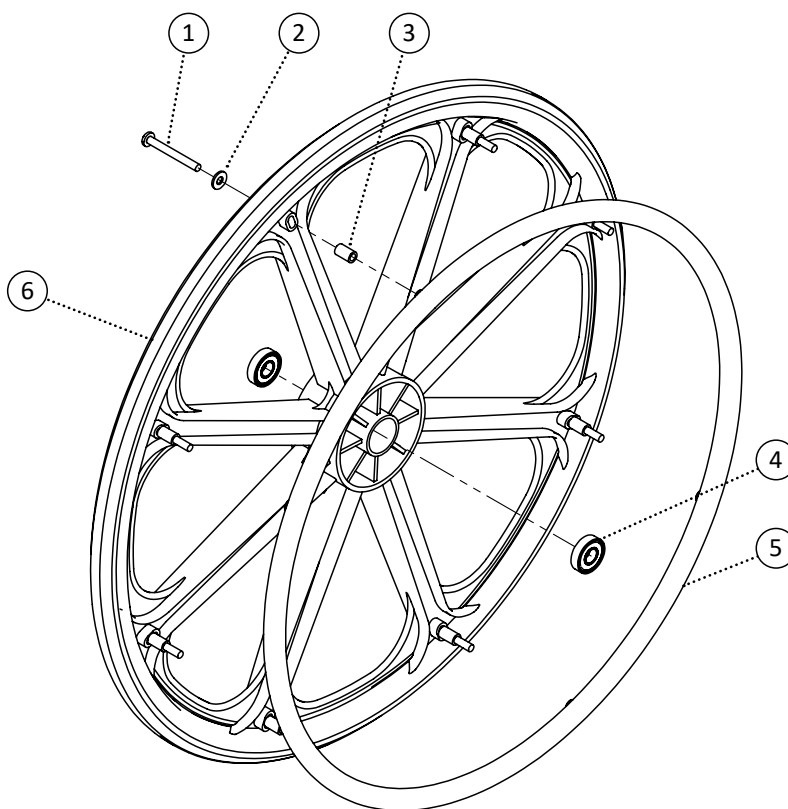
Item	REF Number	Description	Quantity	MSRP	Notes
1	549502	Screw, Pan Washer Head 1/4-20 x 2-1/4	8		
2	548467	Spacer, Nylon Spacer 1/4 ID x 7/16 OD. x .630thk	8		
3	549503	Screw, Pan Head 1/4-20 x 2	8		
4	549423	Washer, Flat Washer 1/4 ID. x 5/8 OD.	8		
5	549504	Spacer, Nylon Spacer 1/4 ID. x 7/16 OD. x .312thk	8		
6	548399	Ball Bearing, Ball Bearing 1/2	2		
7	548457	Bushing, Aluminum Wheel Bushing 1/2	1		
8	550002	Bushing, Aluminum Wheel Bushing Recessed 1/2	1		
9	549505	Cap, Wheel Hub Cap	1		
10	549506	Cap, Wheel Hub Cap Quick Release	1		
11	548547	Handrim, 20 Handrim Chrome Coated	1		
12	548550	Handrim, 22 Handrim Chrome Coated	1		
13	548553	Handrim, 24 Handrim Chrome Coated	1		
14	548548	Handrim, 20 Handrim Plastic Coated	1		
15	548551	Handrim, 22 Handrim Plastic Coated	1		
16	548554	Handrim, 24 Handrim Plastic Coated	1		
17	549507	Wheel, 12 Composite Wheel Smooth	1		
18	549508	Wheel, 12 Composite Wheel Regular	1		
19	549509	Wheel, 16 Composite Wheel Regular	1		



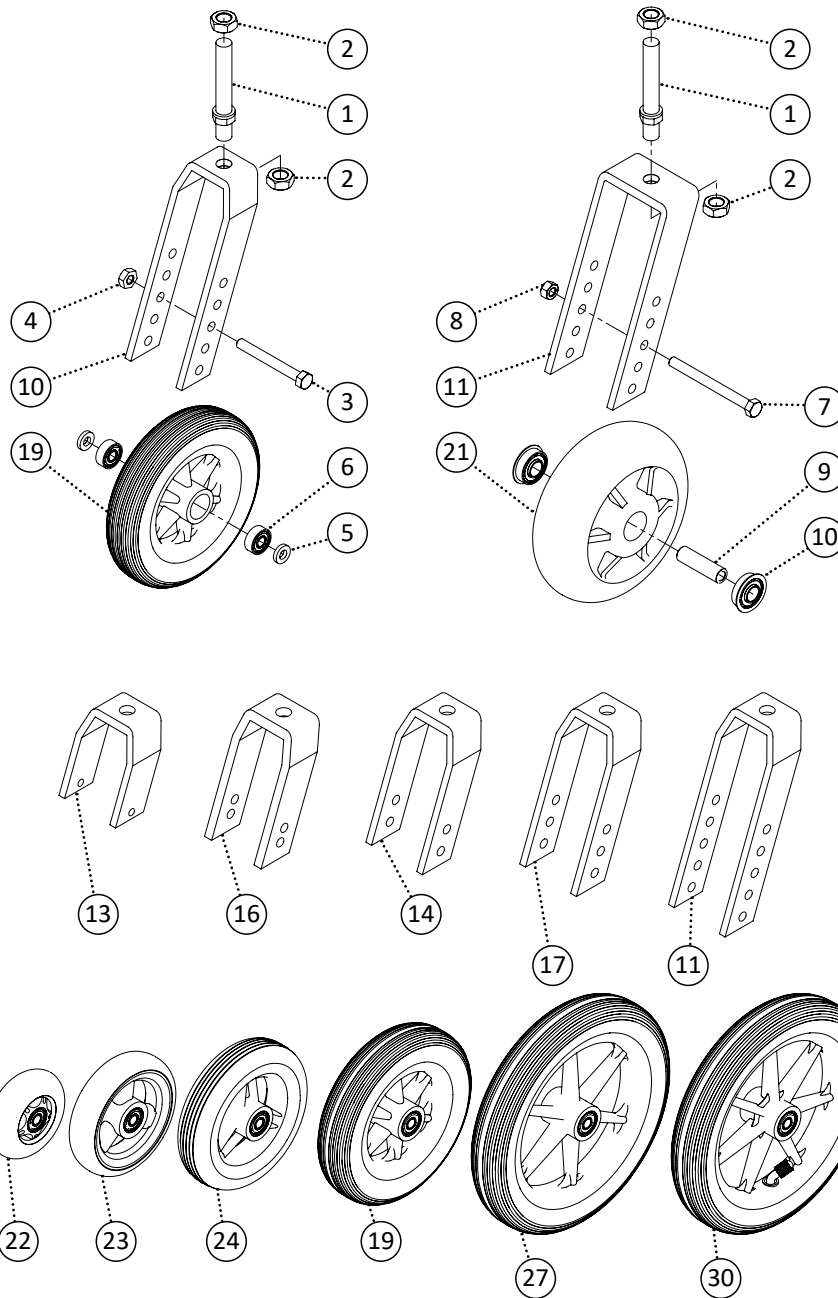
Item	REF Number	Description	Quantity	MSRP	Notes
20	549510	Wheel, 20 Composite Wheel Regular	1		
21	549511	Wheel, 22 Composite Wheel Regular	1		
22	549512	Wheel, 24 Composite Wheel Regular	1		
23	549513	Wheel, 20 Composite Wheel Pneumatic	1		
24	549514	Wheel, 22 Composite Wheel Pneumatic	1		
25	549515	Wheel, 24 Composite Wheel Pneumatic	1		
26	549999	Wheel, 20 Composite Wheel Recessed	1		
27	550000	Wheel, 22 Composite Wheel Recessed	1		
28	550001	Wheel, 24 Composite Wheel Recessed	1		
29	549516	Tire, 20 Wheel Pneumatic	1		
30	549517	Tire, 22 Wheel Pneumatic	1		
31	549518	Tire, 24 Wheel Pneumatic	1		
1,2,6,7,15	549519	Kit, 12 Composite Wheel Left Smooth Kit	1		
1,2,6,7,15	549520	Kit, 12 Composite Wheel Right Smooth Kit	1		
1,2,6,7,16	549521	Kit, 12 Composite Wheel Left Rough Kit	1		
1,2,6,7,16	549522	Kit, 12 Composite Wheel Right Rough Kit	1		
1,2,6,7,17	549523	Kit, 16 Composite Wheel Left Regular Kit	1		
1,2,6,7,17	549524	Kit, 16 Composite Wheel Right Regular Kit	1		
1,2,6,7,9,11,20	549525	Kit, 20 Composite Wheel Left Regular Kit	1		
1,2,6,7,9,11,20	549526	Kit, 20 Composite Wheel Right Regular Kit	1		
1,2,6,7,9,12,21	549527	Kit, 22 Composite Wheel Left Regular Kit	1		
1,2,6,7,9,12,21	549528	Kit, 22 Composite Wheel Right Regular Kit	1		
1,2,6,7,9,13,22	549529	Kit, 24 Composite Wheel Left Regular Kit	1		
1,2,6,7,9,13,22	549530	Kit, 24 Composite Wheel Right Regular Kit	1		
1,2,6,7,9,14,20,23	549531	Kit, 20 Composite Wheel Left Pneumatic Kit	1		
1,2,6,7,9,14,20,23	549532	Kit, 20 Composite Wheel Right Pneumatic Kit	1		
1,2,6,7,9,15,21,24	549533	Kit, 22 Composite Wheel Left Pneumatic Kit	1		
1,2,6,7,9,15,21,24	549534	Kit, 22 Composite Wheel Right Pneumatic Kit	1		
1,2,6,7,9,16,22,25	549535	Kit, 24 Composite Wheel Left Pneumatic Kit	1		
1,2,6,7,9,16,22,25	549536	Kit, 24 Composite Wheel Right Pneumatic Kit	1		
1,2,6,8,9,16,26	550003	Kit, 20 Composite Wheel Left Recessed Kit	1		
1,2,6,8,9,16,26	550004	Kit, 20 Composite Wheel Right Recessed Kit	1		
1,2,6,8,9,16,27	550005	Kit, 22 Composite Wheel Left Recessed Kit	1		
1,2,6,8,9,16,27	550006	Kit, 22 Composite Wheel Right Recessed Kit	1		
1,2,6,8,9,16,28	550007	Kit, 24 Composite Wheel Left Recessed Kit	1		
1,2,6,8,9,16,28	550008	Kit, 24 Composite Wheel Right Recessed Kit	1		



Item	REF Number	Description	Quantity	MSRP	Notes
1	549502	Screw, Pan Washer Head 1/4-20 x 2-1/4	4		
2	549537	Bushing, Aluminum Handrim Bushing 1/4 ID.	4		
3	548399	Ball Bearing, Ball Bearing 1/2	2		
4	548457	Bushing, Aluminum Wheel Bushing 1/2	1		
5	549538	Handrim, 20 Handrim Aluminum Coated	1		
6	549539	Handrim, 22 Handrim Aluminum Coated	1		
7	549540	Handrim, 24 Handrim Aluminum Coated	1		
8	549541	Wheel, 20 Spoke Wheel Regular	1		
9	549542	Wheel, 22 Spoke Wheel Regular	1		
10	549543	Wheel, 24 Spoke Wheel Regular	1		
1-4,5,8	549544	Kit, 20 Spoke Wheel Left Regular Kit	1		
1-4,5,8	549545	Kit, 20 Spoke Wheel Right Regular Kit	1		
1-4,6,9	549546	Kit, 22 Spoke Wheel Left Regular Kit	1		
1-4,6,9	549547	Kit, 22 Spoke Wheel Right Regular Kit	1		
1-4,7,10	549548	Kit, 24 Spoke Wheel Left Regular Kit	1		
1-4,7,10	549549	Kit, 24 Spoke Wheel Right Regular Kit	1		

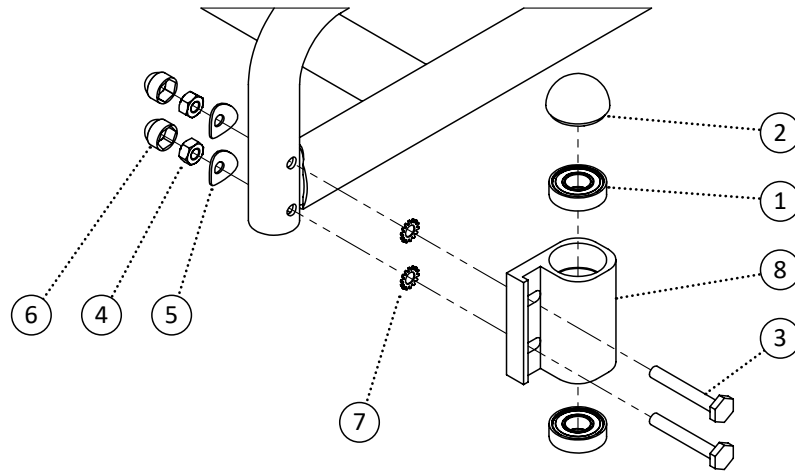


Item	REF Number	Description	Quantity	MSRP	Notes
1	549350	Screw, Pan Head 1/4-20 x 2-1/4	8		
2	549423	Washer, Flat Washer 1/4 ID. x 5/8 OD.	8		
3	549550	Spacer, 1/4 ID. x 3/8 OD. x .630thk	8		
4	548399	Ball Bearing, Ball Bearing 1/2	2		
5	549551	Handrim, 24 Handrim Heavy Duty	1		
6	549552	Wheel, 24 Composite Wheel Heavy Duty	1		
1-6	549553	Kit, 24 Composite Wheel Heavy Duty Left Kit	1		
1-6	549554	Kit, 24 Composite Wheel Heavy Duty Right Kit	1		

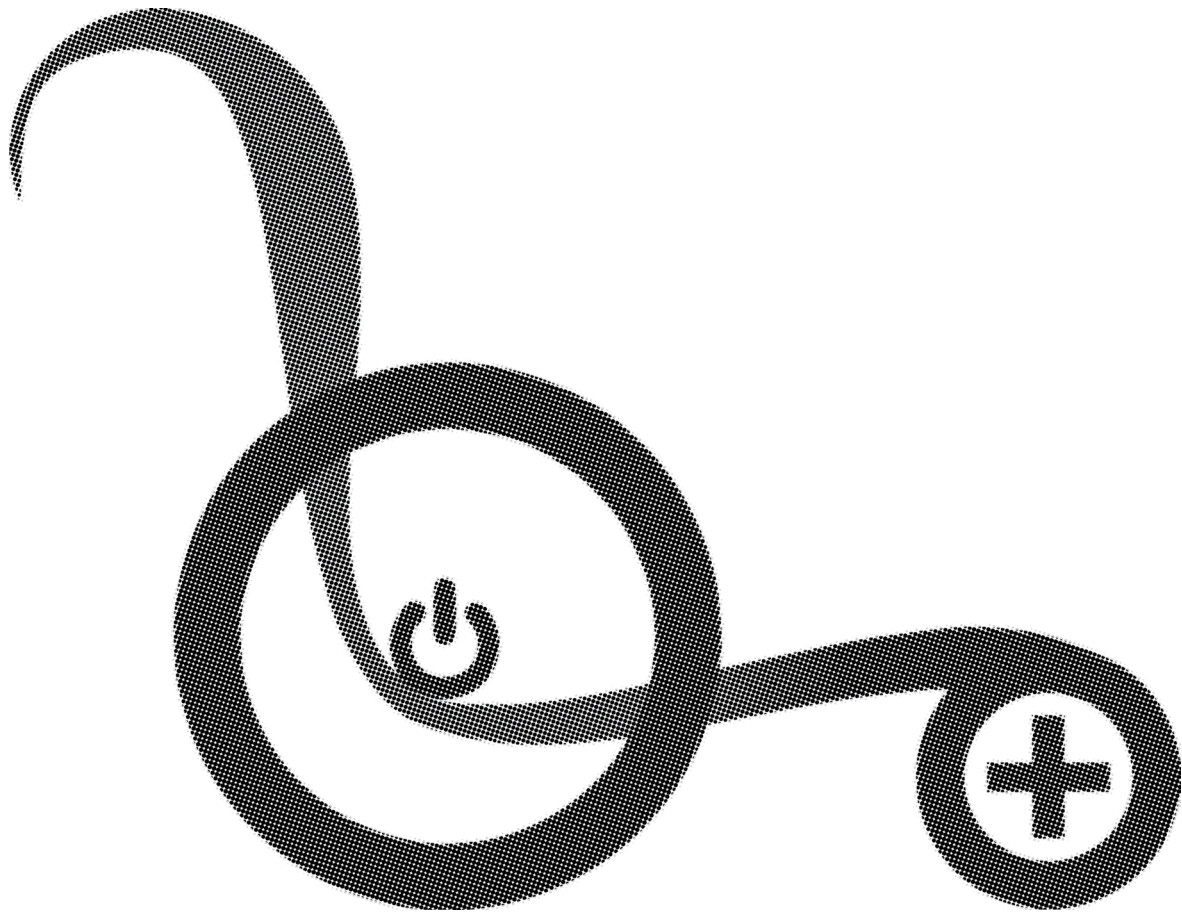


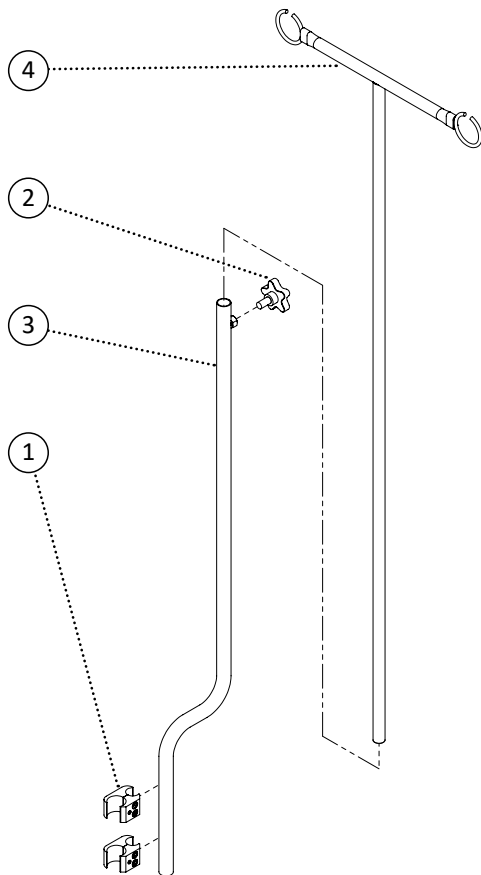
Item	REF Number	Description	Quantity	MSRP	Notes
1	549322	Screw, Double Sided Screw 1/2-20 x 3-5/8	1		
2	548857	Nut, Lock Nut 1/2-20	1		
3	549342	Screw, Hex Bolt 5/16-18 x 2-3/4	1		
4	548875	Nut, Nylon Lock Nut Thin 5/16-18	1		
5	549389	Spacer, Nylon Spacer 5/16 ID. x .6 OD x .12thk (wht)	2		
6	548401	Ball Bearing, Caster Wheel	2		
7	549343	Screw, Hex Bolt 5/16-18 x 3-1/2	1		
8	548862	Nut, Nylon Lock Nut 5/16-18	1		
9	548466	Bushing, Heavy Duty Caster Bushing	1		
10	548402	Ball Bearing, Caster Wheel Heavy Duty	2		

Item	REF Number	Description	Quantity	MSRP	Notes
11	548425	Bracket, Caster Fork 5-Hole Aluminum	1		
12	548426	Bracket, Caster Fork 5-Hole Steel	1		
13	548419	Bracket, Caster Fork 1-Hole Short	1		
14	548420	Bracket, Caster Fork 2-Hole Aluminum	1		
15	548422	Bracket, Caster Fork 2-Hole Steel	1		
16	548421	Bracket, Caster Fork 2-Hole Narrow Aluminum	1		
17	548423	Bracket, Caster Fork 3-Hole Aluminum	1		
18	548424	Bracket, Caster Fork 3-Hole Steel	1		
19	549476	Wheel, 6 x 1.25 Caster	1		
20	549477	Wheel, 6 x 1.75 Caster	1		
21	549478	Wheel, 6 x 2 Caster	1		
22	549471	Wheel, 3 Caster	1		
23	549472	Wheel, 4 Caster	1		
24	549473	Wheel, 5 x 1.25 Caster	1		
25	549474	Wheel, 5 x 1.75 Caster	1		
26	549475	Wheel, 5 x 2 Caster	1		
27	549480	Wheel, 8 x 1.25 Caster Polyurethane	1		
28	549481	Wheel, 8 x 1.75 Caster Polyurethane	1		
29	549482	Wheel, 8 x 2 Caster Polyurethane	1		
30	549479	Wheel, 8 x 1.25 Caster Pneumatic	1		
<b>1-4,11</b>	<b>548689</b>	<b>Kit, Caster Fork 5-Hole Aluminum Complete</b>	<b>1</b>		
<b>1,2,7,8,12</b>	<b>548690</b>	<b>Kit, Caster Fork 5-Hole Steel Complete</b>	<b>1</b>		
<b>1-4,13</b>	<b>548683</b>	<b>Kit, Caster Fork 1-Hole Short Complete</b>	<b>1</b>		
<b>1-4,14</b>	<b>548684</b>	<b>Kit, Caster Fork 2-Hole Aluminum Complete</b>	<b>1</b>		
<b>1,2,7,8,15</b>	<b>548686</b>	<b>Kit, Caster Fork 2-Hole Steel Complete</b>	<b>1</b>		
<b>1-4,16</b>	<b>548685</b>	<b>Kit, Caster Fork 2-Hole Narrow Aluminum Complete</b>	<b>1</b>		
<b>1-4,17</b>	<b>548687</b>	<b>Kit, Caster Fork 3-Hole Aluminum Complete</b>	<b>1</b>		
<b>1,2,7,8,18</b>	<b>548688</b>	<b>Kit, Caster Fork 3-Hole Steel Complete</b>	<b>1</b>		
<b>3-6,19</b>	<b>548571</b>	<b>Kit, 6 x 1.25 Caster Complete</b>	<b>1</b>		
<b>3-6,20</b>	<b>548572</b>	<b>Kit, 6 x 1.75 Caster Complete</b>	<b>1</b>		
<b>7-10,21</b>	<b>548573</b>	<b>Kit, 6 x 2 Caster Complete</b>	<b>1</b>		
<b>3-6,22</b>	<b>548566</b>	<b>Kit, 3 Caster Complete</b>	<b>1</b>		
<b>3-6,23</b>	<b>548567</b>	<b>Kit, 4 Caster Complete</b>	<b>1</b>		
<b>3-6,24</b>	<b>548568</b>	<b>Kit, 5 x 1.25 Caster Complete</b>	<b>1</b>		
<b>3-6,25</b>	<b>548569</b>	<b>Kit, 5 x 1.75 Caster Complete</b>	<b>1</b>		
<b>7-10,26</b>	<b>548570</b>	<b>Kit, 5 x 2 Caster Complete</b>	<b>1</b>		
<b>3-6,27</b>	<b>548575</b>	<b>Kit, 8 x 1.25 Caster Polyurethane Complete</b>	<b>1</b>		
<b>3-6,28</b>	<b>548576</b>	<b>Kit, 8 x 1.75 Caster Polyurethane Complete</b>	<b>1</b>		
<b>7-10,29</b>	<b>548577</b>	<b>Kit, 8 x 2 Caster Polyurethane Complete</b>	<b>1</b>		
<b>3-6,30</b>	<b>548574</b>	<b>Kit, 8 x 1.25 Caster Pneumatic Complete</b>	<b>1</b>		



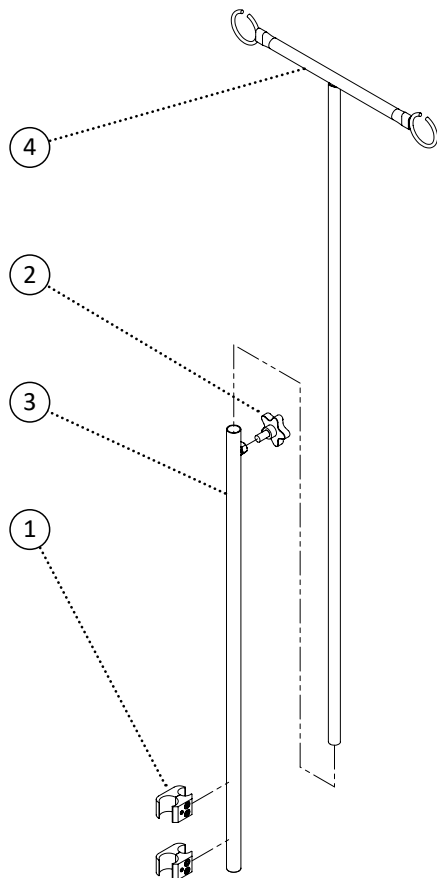
Item	REF Number	Description	Quantity	MSRP	Notes
1	548400	Ball Bearing, Caster Mount	2		
2	548490	Cap, Caster Mount Cap	1		
3	549346	Screw, Offset Bolt 1/4-28 x 1-3/4	2		
4	548861	Nut, Nylon Lock Nut 1/4-28	2		
5	549416	Washer, Curved Washer 1/4 ID. x 3/4 OD. x .04thk	2		
6	548480	Cap, 1/4 Nut Cap	2		
7	549417	Washer, External Tooth Lock 1/4	2		
8	548427	Bracket, Caster Mount	1		
<b>1-8</b>	<b>549555</b>	<b>Kit, Caster Journal Housing Complete (Tilt Chair)</b>	<b>1</b>		



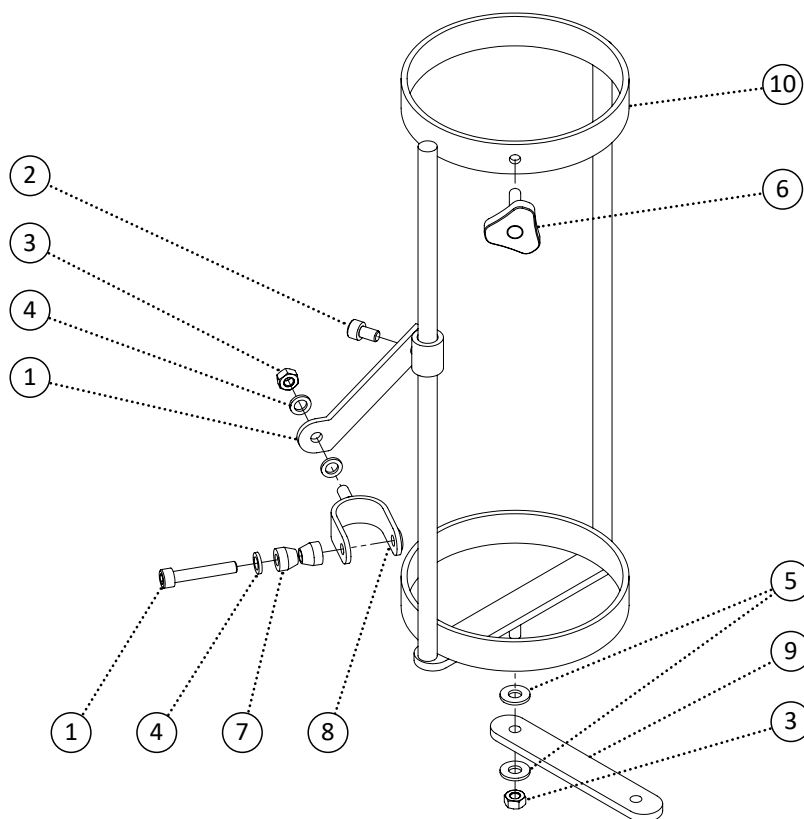


Item	REF Number	Description	Quantity	MSRP	Notes
1	548505	Clamp, Aluminum Brake Clamp	2		
2	548842	Knob, 5-Prong 3/8-16 x 3/4	1		
3	549107	PPM, I.V. Pole Offset Receiver	1		
4	549106	PPM, I.V. Pole Extension	1		
<b>1-4</b>	<b>548742</b>	<b>Kit, I.V. Pole Offset Complete</b>	<b>1</b>		

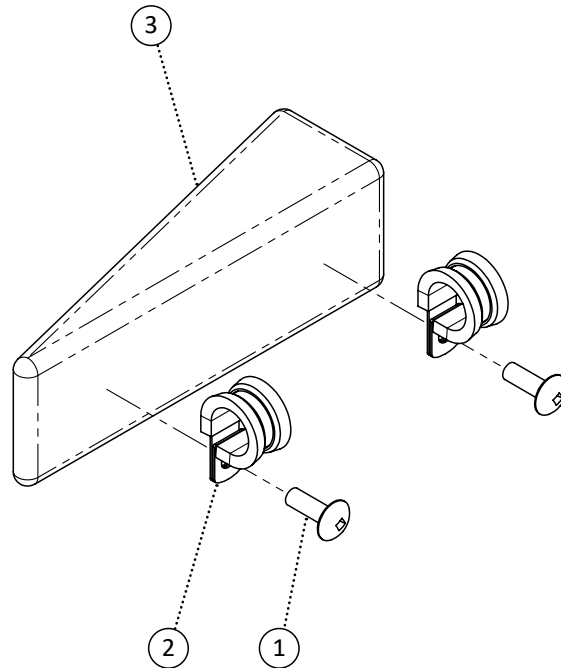




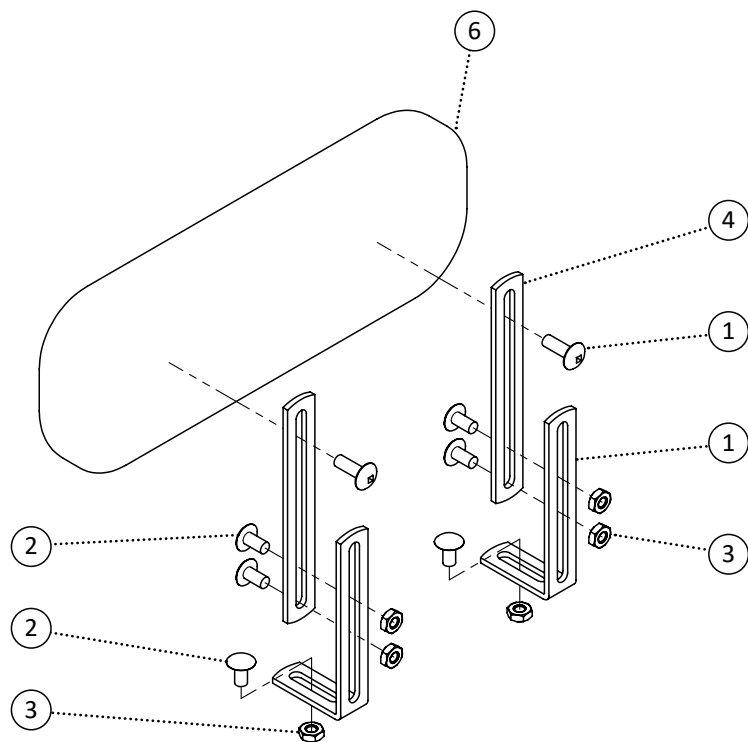
Item	REF Number	Description	Quantity	MSRP	Notes
1	548505	Clamp, Aluminum Brake Clamp	2		
2	548842	Knob, 5-Prong 3/8-16 x 3/4	1		
3	549108	PPM, I.V. Straight Pole Receiver	1		
4	549106	PPM, I.V. Pole Extension	1		
<b>1-4</b>	<b>548743</b>	<b>Kit, I.V. Pole Straight Complete</b>	<b>1</b>		



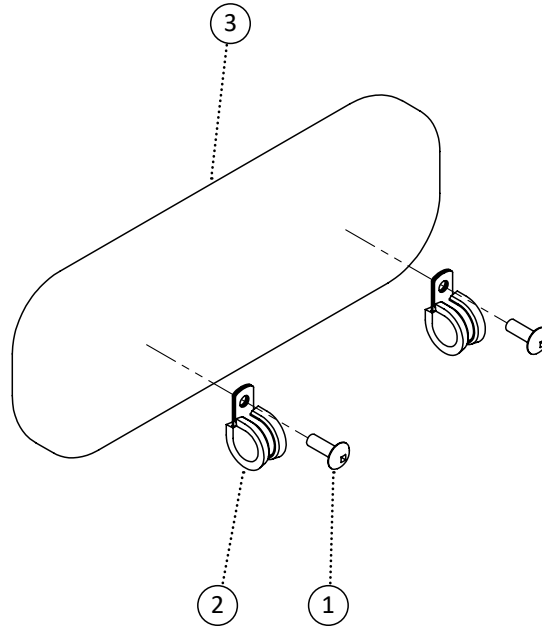
Item	REF Number	Description	Quantity	MSRP	Notes
1	549377	Screw, Socket Head M6-1.0 x 35	1		
2	549376	Screw, Socket Head M6-1.0 x 10	1		
3	548866	Nut, Nylon Lock Nut M6-1.0	2		
4	549420	Washer, Flat Washer 1/4 ID. x .4 OD.	3		
5	549419	Washer, Flat Washer 1/2 ID. x 5/8 OD.	2		
6	548846	Knob, Tristar M6-1.0 x 16.5	1		
7	549384	Spacer, 1/4 ID. Chamfer	2		
8	548509	Clamp, Oxygen Tank U-Clamp	1		
9	548438	Bracket, Oxygen Tank Base (STP)	1		
10	548437	Bracket, Oxygen Tank	1		
<b>1-10</b>	<b>548756</b>	<b>Kit, Oxygen Tank Complete</b>	<b>1</b>		



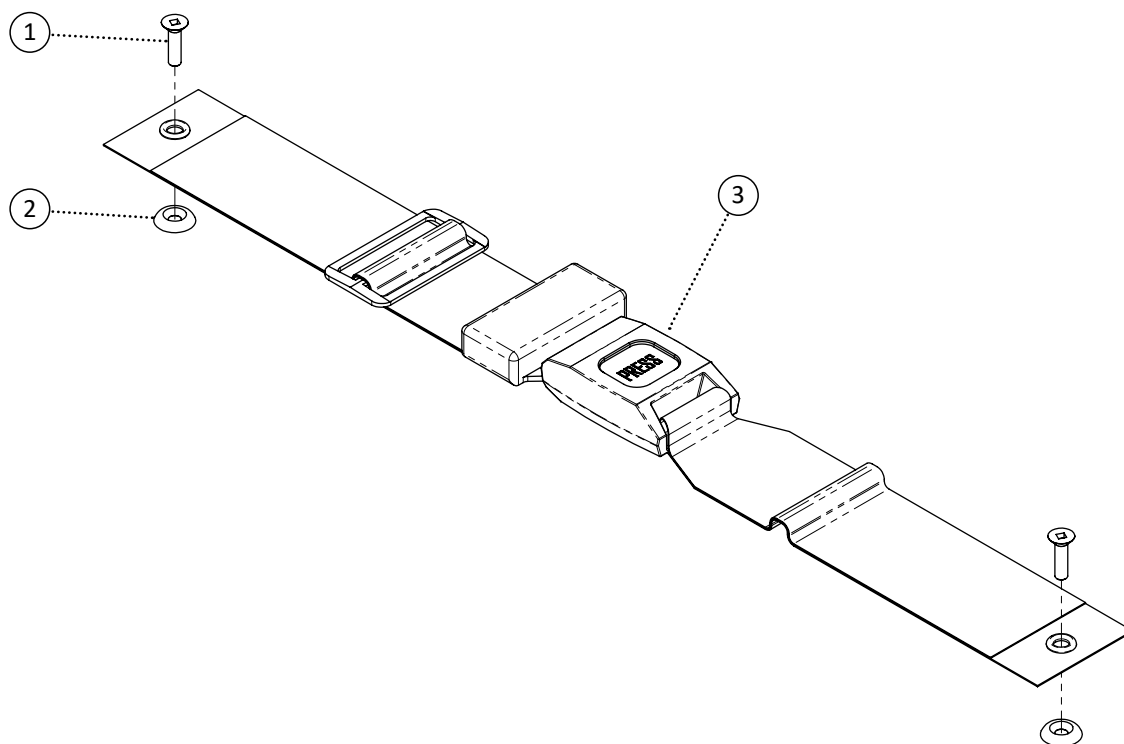
Item	REF Number	Description	Quantity	MSRP	Notes
1	549382	Screw, Truss Head 1/4-20 x 3/4	2		
2	549694	Clamp, P-Clip	2		
3	549934	PPM, Adductor Wedge Pad 8 x 4	1		
4	549935	PPM, Adductor Wedge Pad 10 x 4	1		
5	549936	PPM, Adductor Wedge Pad 12 x 4	1		
6	549937	PPM, Adductor Wedge Pad 14 x 4	1		
<b>1,2,3</b>	<b>549938</b>	<b>Kit, Adductor Wedge Pad 8 x 4 Complete</b>	<b>1</b>		
<b>1,2,4</b>	<b>549939</b>	<b>Kit, Adductor Wedge Pad 10 x 4 Complete</b>	<b>1</b>		
<b>1,2,5</b>	<b>549940</b>	<b>Kit, Adductor Wedge Pad 12 x 4 Complete</b>	<b>1</b>		
<b>1,2,6</b>	<b>549941</b>	<b>Kit, Adductor Wedge Pad 14 x 4 Complete</b>	<b>1</b>		



Item	REF Number	Description	Quantity	MSRP	Notes
1	549382	Screw, Truss Head 1/4-20 x 3/4	2		
2	549682	Screw, Round Head 1/4-20 x 1/2	6		
3	549683	Nut, Serrated Flange Nut 1/4-20	6		
4	549684	Bracket, Adductor Extension	2		
5	549685	Bracket, Adductor L Extension	2		
6	549686	PPM, Adductor Pad 8 x 4	1		
7	549687	PPM, Adductor Pad 10 x 4	1		
8	549688	PPM, Adductor Pad 12 x 4	1		
9	549689	PPM, Adductor Pad 14 x 4	1		
1-5,6	549690	Kit, Adductor Pad 8 x 4 Complete	1		
1-5,7	549691	Kit, Adductor Pad 10 x 4 Complete	1		
1-5,8	549692	Kit, Adductor Pad 12 x 4 Complete	1		
1-5,9	549693	Kit, Adductor Pad 14 x 4 Complete	1		

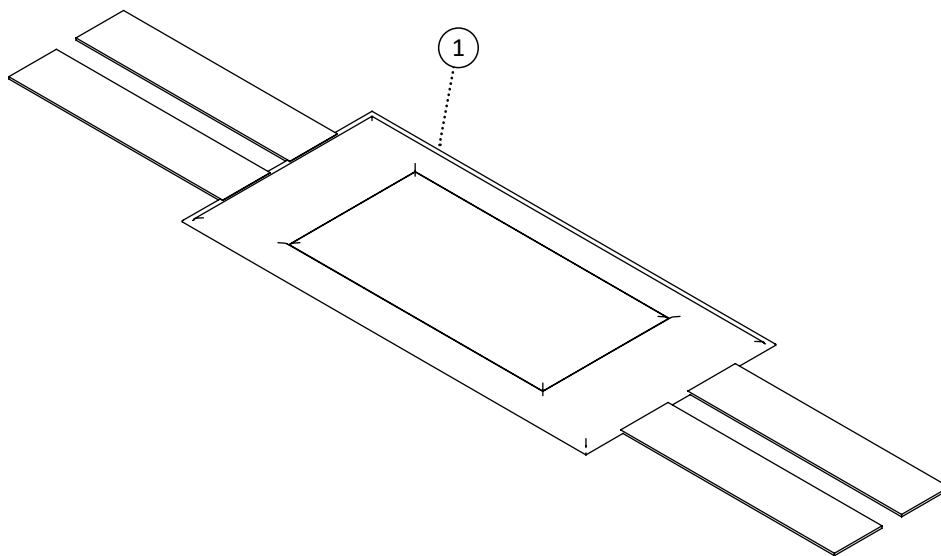


Item	REF Number	Description	Quantity	MSRP	Notes
1	549382	Screw, Truss Head 1/4-20 x 3/4	2		
2	549694	Clamp, P-Clip	2		
3	549686	PPM, Adductor Pad 8 x 4	1		
4	549687	PPM, Adductor Pad 10 x 4	1		
5	549688	PPM, Adductor Pad 12 x 4	1		
6	549689	PPM, Adductor Pad 14 x 4	1		
1-2,3	549690	Kit, Adductor Pad 8 x 4 Complete	1		
1-2,4	549691	Kit, Adductor Pad 10 x 4 Complete	1		
1-2,5	549692	Kit, Adductor Pad 12 x 4 Complete	1		
1-2,6	549693	Kit, Adductor Pad 14 x 4 Complete	1		



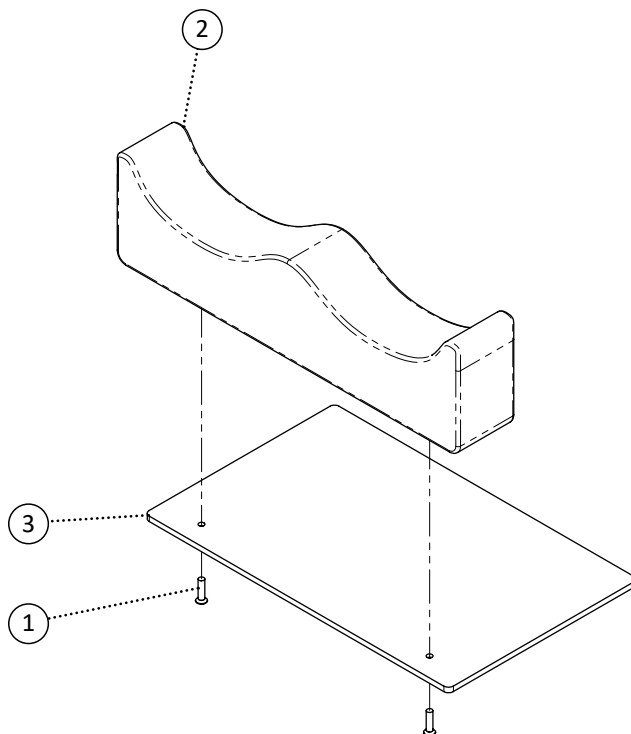
Item	REF Number	Description	Quantity	MSRP	Notes
1	549324	Screw, Flat Head 10-32 x 3/4	2		
2	549623	Washer, Cup Washer 10	2		
3	549830	Belt, 2 Point Auto-Style 16	1		
4	549831	Belt, 2 Point Auto-Style 18	1		
5	549832	Belt, 2 Point Auto-Style 20	1		
6	549833	Belt, 2 Point Auto-Style 22	1		
7	549834	Belt, 2 Point Auto-Style 24	1		
8	549835	Belt, 2 Point Auto-Style 26	1		
9	549836	Belt, 2 Point Auto-Style 28	1		
10	549837	Belt, 2 Point Auto-Style 30	1		
11	549838	Belt, 2 Point Auto-Style Padded 16	1		
12	549839	Belt, 2 Point Auto-Style Padded 18	1		
13	549840	Belt, 2 Point Auto-Style Padded 20	1		
14	549841	Belt, 2 Point Auto-Style Padded 22	1		
15	549842	Belt, 2 Point Auto-Style Padded 24	1		
16	549843	Belt, 2 Point Auto-Style Padded 26	1		
17	549844	Belt, 2 Point Auto-Style Padded 28	1		
18	549845	Belt, 2 Point Auto-Style Padded 30	1		
19	549846	Belt, 4 Point Auto-Style 16	1		

Item	REF Number	Description	Quantity	MSRP	Notes
20	549847	Belt, 4 Point Auto-Style 18	1		
21	549848	Belt, 4 Point Auto-Style 20	1		
22	549849	Belt, 4 Point Auto-Style 22	1		
23	549850	Belt, 4 Point Auto-Style 24	1		
24	549851	Belt, 4 Point Auto-Style 26	1		
25	549852	Belt, 4 Point Auto-Style 28	1		
26	549853	Belt, 4 Point Auto-Style 30	1		
27	549854	Belt, 4 Point Auto-Style Padded 16	1		
28	549855	Belt, 4 Point Auto-Style Padded 18	1		
29	549856	Belt, 4 Point Auto-Style Padded 20	1		
30	549857	Belt, 4 Point Auto-Style Padded 22	1		
31	549858	Belt, 4 Point Auto-Style Padded 24	1		
32	549859	Belt, 4 Point Auto-Style Padded 26	1		
33	549860	Belt, 4 Point Auto-Style Padded 28	1		
34	549861	Belt, 4 Point Auto-Style Padded 30	1		

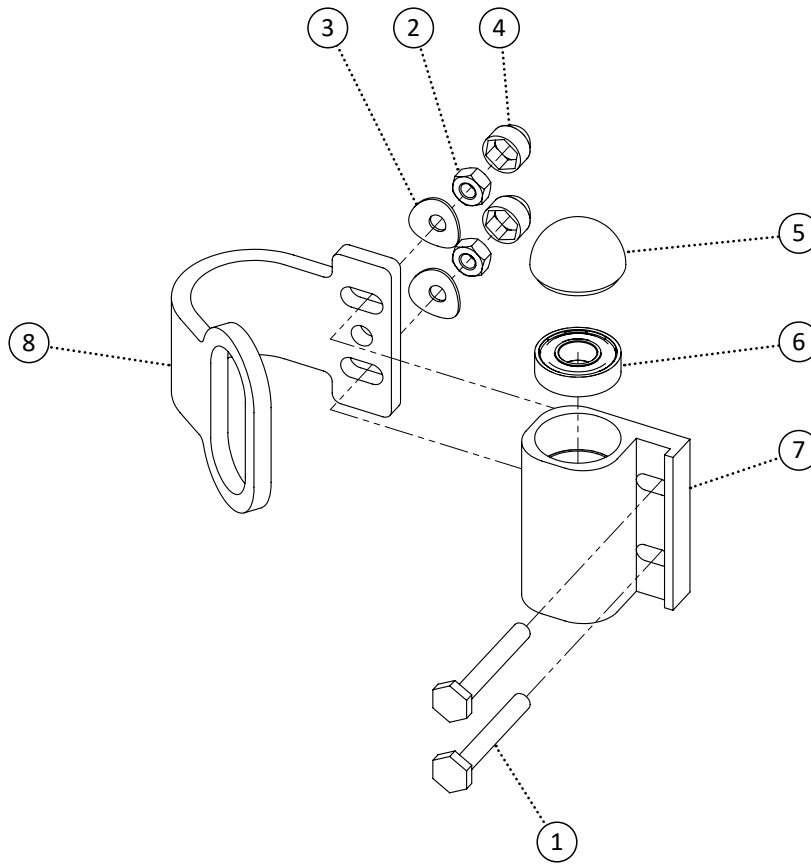


Item	REF Number	Description	Quantity	MSRP	Notes
1	549862	Strap, Nylon Leg Strap 16	1		
2	549863	Strap, Nylon Leg Strap 18	1		
3	549864	Strap, Nylon Leg Strap 20	1		
4	549865	Strap, Nylon Leg Strap 22	1		
5	549866	Strap, Nylon Leg Strap 24	1		
6	549867	Strap, Nylon Leg Strap 26	1		
7	549868	Strap, Nylon Leg Strap 28	1		
8	549869	Strap, Nylon Leg Strap 30	1		

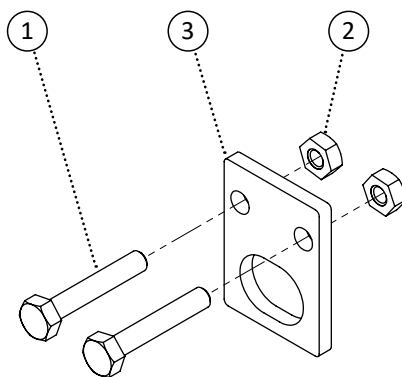




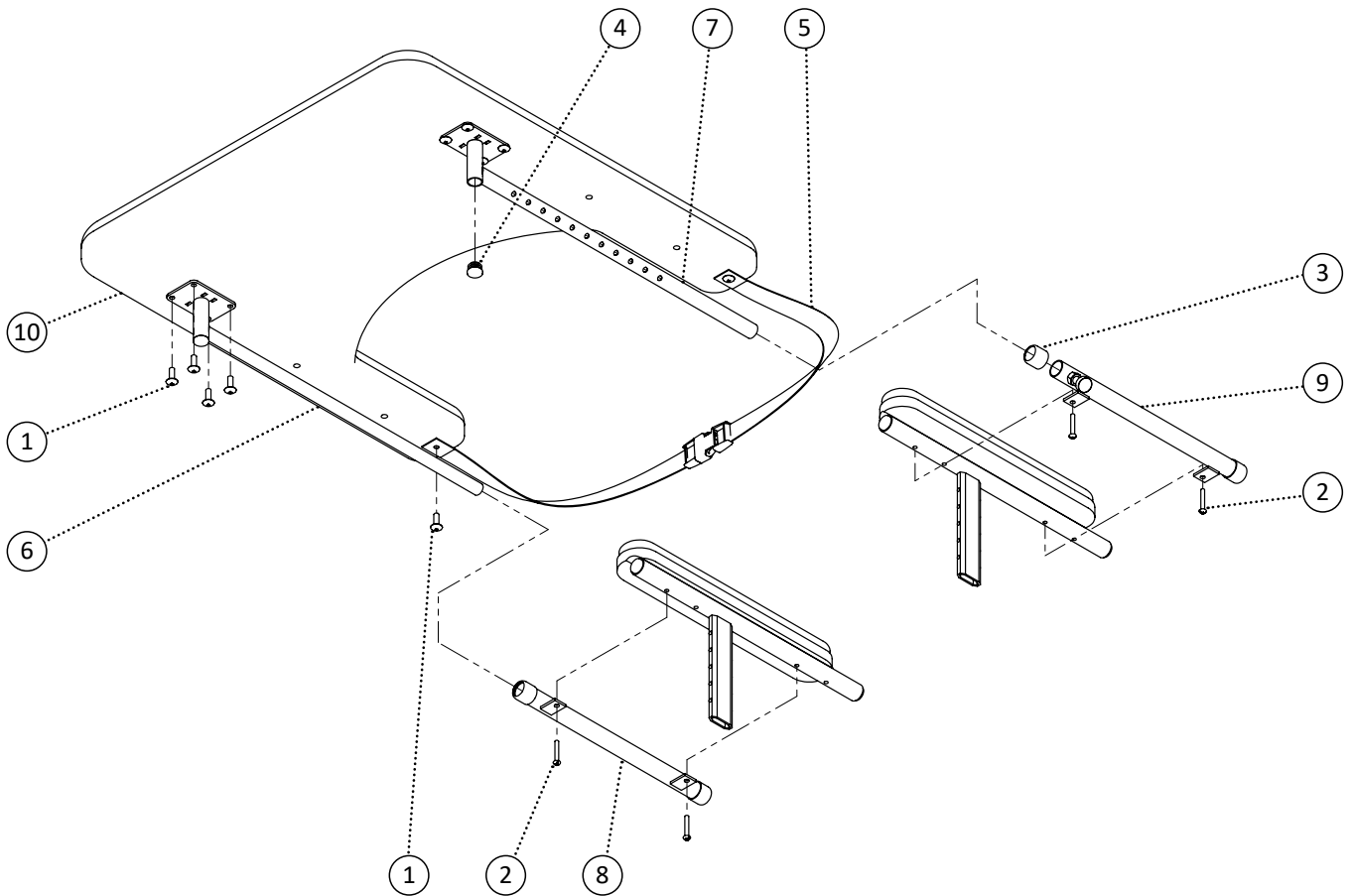
Item	REF Number	Description	Quantity	MSRP	Notes
1	549326	Screw, Hex Bolt 1/4-20 x 1	2		
2		See Form for Leg Channels	1		
3	549695	PPM, ABS Seat Pan Adductor 16 no Velcro	1		
4	549696	PPM, ABS Seat Pan Adductor 18 no Velcro	1		
5	549697	PPM, ABS Seat Pan Adductor 20 no Velcro	1		
6	549698	PPM, ABS Seat Pan Adductor 16 with Velcro	1		
7	549699	PPM, ABS Seat Pan Adductor 18 with Velcro	1		
8	549700	PPM, ABS Seat Pan Adductor 20 with Velcro	1		



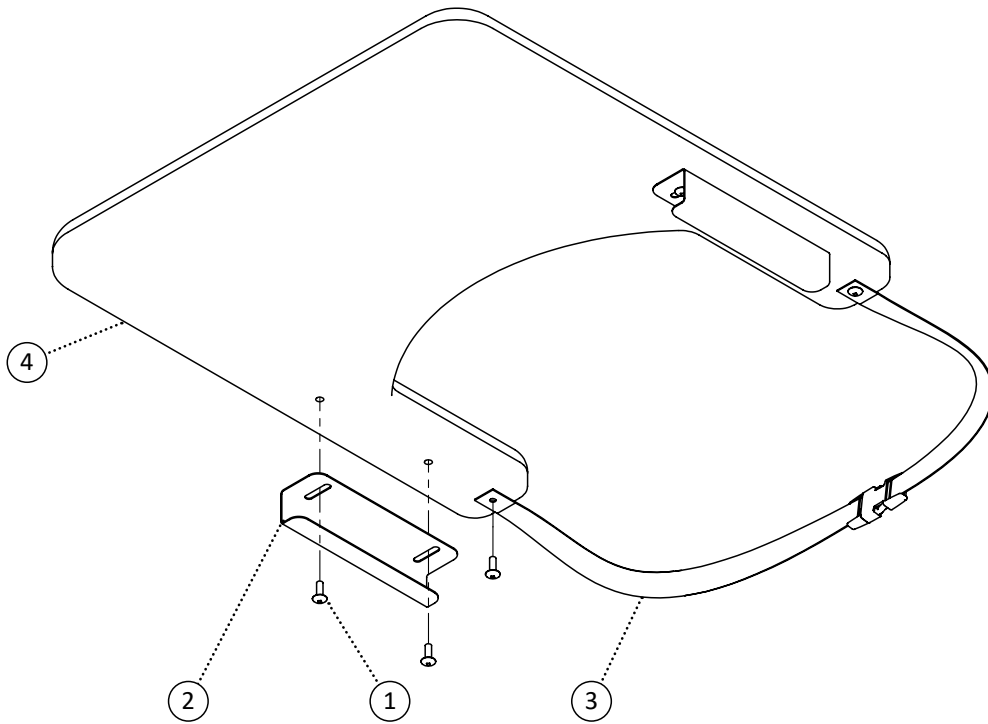
Item	REF Number	Description	Quantity	MSRP	Notes
1	549347	Screw, Offset Bolt 1/4-28 x 2	2		
2	548861	Nut, Nylon Lock Nut 1/4-28	2		
3	549416	Washer, Curved Washer 1/4 ID. x 3/4 OD. x .04thk	2		
4	548480	Cap, 1/4 Nut Cap	2		
5	548490	Cap, Caster Mount Cap	1		
6	548400	Ball Bearing, Caster Mount	2		
7	548427	Bracket, Caster Mount	1		
8	549947	Bracket, Front Tie Down	1		
<b>1-8</b>	<b>549948</b>	<b>Kit, Tilt Chair Front Tie Down Complete</b>	<b>1</b>		



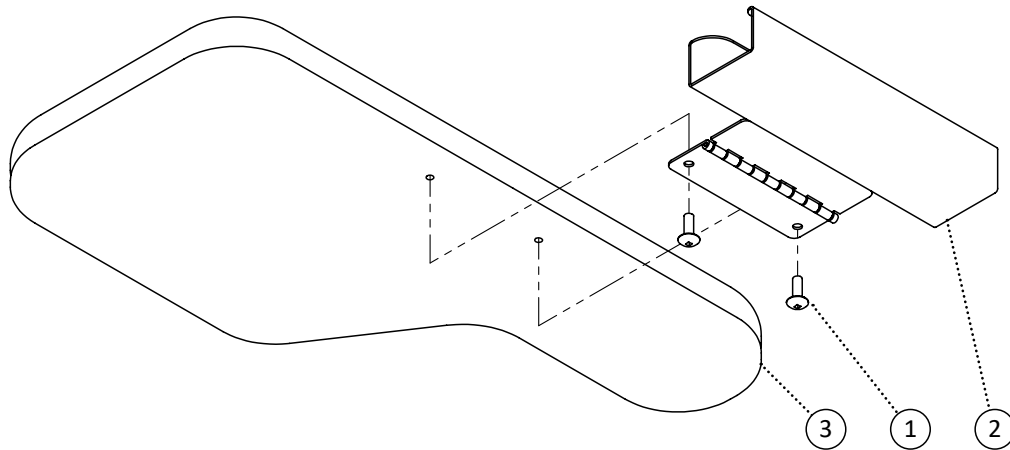
Item	REF Number	Description	Quantity	MSRP	Notes
1	549327	Screw, Hex Bolt 1/4-20 x 1-1/2	2		
2	548870	Nut, Nylon Lock Nut Thin 1/4-20	2		
3	549942	Bracket, Rear Tie Down	1		
<b>1-3</b>	<b>549946</b>	<b>Kit, Tilt Chair Rear Tie Down Complete</b>	<b>1</b>		



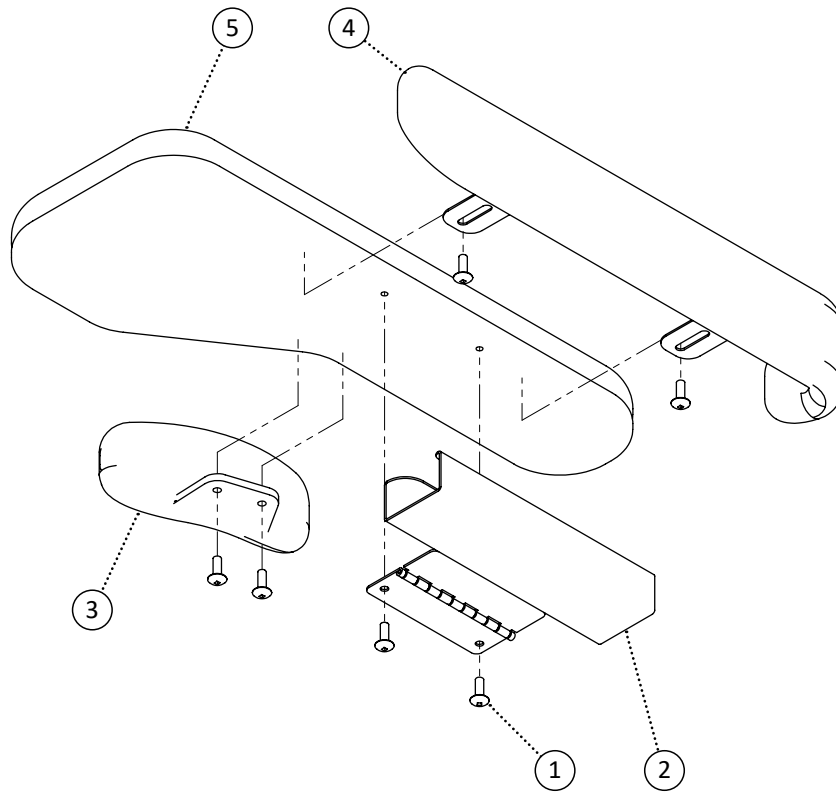
Item	REF Number	Description	Quantity	MSRP	Notes
1	549382	Screw, Truss Head 1/4-20 x 3/4	10		
2	549360	Screw, Round Head 10-24 x 1-1/4	4		
3	548499	Cap, Rubber Cap 7/8	4		
4	548481	Cap, 3/4 Round Plug	2		
5	549401	Strap, Plastic Strap Full Tray	1		
6	549087	PPM, Full Tray Tube	1		
7	549079	PPM, Full Locking Tray Tube	1		
8	549088	PPM, Full Tray Tube Receiver	1		
9	549080	PPM, Full Locking Tray Tube Receiver	1		
10	549082	PPM, Full Tray Padded	1		
11	549081	PPM, Full Tray Clear	1		
12	549083	PPM, Full Tray Plastic	1		
<b>1,4-7,10</b>	<b>548720</b>	<b>Kit, Full Tray Locking Padded</b>	<b>1</b>		
<b>1,4-7,11</b>	<b>548718</b>	<b>Kit, Full Tray Locking Clear</b>	<b>1</b>		
<b>1,4-7,12</b>	<b>548722</b>	<b>Kit, Full Tray Locking Plastic</b>	<b>1</b>		
<b>1-9,10</b>	<b>548721</b>	<b>Kit, Full Tray Locking Padded Complete</b>	<b>1</b>		
<b>1-9,11</b>	<b>548719</b>	<b>Kit, Full Tray Locking Clear Complete</b>	<b>1</b>		
<b>1-9,12</b>	<b>548723</b>	<b>Kit, Full Tray Locking Plastic Complete</b>	<b>1</b>		



Item	REF Number	Description	Quantity	MSRP	Notes
1	549382	Screw, Truss Head 1/4-20 x 3/4	4		
2	548439	Bracket, Slide On Bracket	2		
3	549401	Strap, Plastic Strap Full Tray	1		
4	549085	PPM, Full Tray Slide On Padded	1		
5	549084	PPM, Full Tray Slide On Clear	1		
6	549086	PPM, Full Tray Slide On Plastic	1		
1-3,4	548725	Kit, Full Tray Slide On Padded Complete	1		
1-3,5	548724	Kit, Full Tray Slide On Clear Complete	1		
1-3,6	548726	Kit, Full Tray Slide On Plastic Complete	1		



Item	REF Number	Description	Quantity	MSRP	Notes
1	549382	Screw, Truss Head 1/4-20 x 3/4	2		
2	548440	Bracket, Slide On Swing Bracket	1		
3	549096	PPM, Half Tray Slide On Left Padded	1		
4	549099	PPM, Half Tray Slide On Right Padded	1		
5	549095	PPM, Half Tray Slide On Left Clear	1		
6	549098	PPM, Half Tray Slide On Right Clear	1		
7	549097	PPM, Half Tray Slide On Left Plastic	1		
8	549100	PPM, Half Tray Slide On Right Plastic	1		
1,2,3	548735	Kit, Half Tray Slide On Left Padded Complete	1		
1,2,4	548738	Kit, Half Tray Slide On Right Padded Complete	1		
1,2,5	548734	Kit, Half Tray Slide On Left Clear Complete	1		
1,2,6	548737	Kit, Half Tray Slide On Right Clear Complete	1		
1,2,7	548736	Kit, Half Tray Slide On Left Plastic Complete	1		
1,2,8	548739	Kit, Half Tray Slide On Right Plastic Complete	1		



Item	REF Number	Description	Quantity	MSRP	Notes
1	549382	Screw, Truss Head 1/4-20 x 3/4	6		
2	548440	Bracket, Slide On Swing Bracket	1		
3	549101	PPM, Hand Guard	1		
4	548935	PPM, Arm Guard	1		
5	549096	PPM, Half Tray Slide On Left Padded	1		
6	549099	PPM, Half Tray Slide On Right Padded	1		
7	549095	PPM, Half Tray Slide On Left Clear	1		
8	549098	PPM, Half Tray Slide On Right Clear	1		
9	549097	PPM, Half Tray Slide On Left Plastic	1		
10	549100	PPM, Half Tray Slide On Right Plastic	1		
1-4,5	548735	Kit, Half Tray Slide On Left Padded Complete	1		
1-4,6	548738	Kit, Half Tray Slide On Right Padded Complete	1		
1-4,7	548734	Kit, Half Tray Slide On Left Clear Complete	1		
1-4,8	548737	Kit, Half Tray Slide On Right Clear Complete	1		
1-4,9	548736	Kit, Half Tray Slide On Left Plastic Complete	1		
1-4,10	548739	Kit, Half Tray Slide On Right Plastic Complete	1		

# REFERENCE INDEX

548384 28	548463 44, 45	548541 47	548632 80
548385 28	548465 44, 45	548545 31	548633 80
548386 28	548466 100	548546 49	548634 80
548387 28	548467 96	548547 96	548635 80
548388 28	548468 78, 79, 80	548548 96	548636 80
548389 28	548471 31	548549 49	548637 80
548390 28	548472 83	548550 96	548638 80
548391 28	548477 86	548551 96	548639 80
548392 28	548478 6, 8	548552 88	548640 79
548393 94	548479 54, 55, 56, 58, 64, 65,	548553 96	548641 79
548394 94	66, 67	548554 96	548642 79
548395 94	548480 16, 33, 39, 41, 44, 45,	548555 60	548643 79
548396 94	49, 59, 62, 63, 102, 114	548556 60	548644 79
548397 94	548481 49, 116	548557 60	548645 79
548399 96, 98, 99	548482 57	548558 60	548646 79
548400 102, 114	548483 20, 21, 22, 24	548559 60	548647 79
548401 100	548484 91	548560 60	548648 79
548402 100	548485 90	548563 60	548649 78
548404 88, 89	548486 91	548564 69, 70, 71	548650 78
548406 6, 8, 29	548487 90	548565 68, 72, 73	548683 101
548410 54, 55	548488 31	548566 101	548684 101
548411 44, 45	548490 102, 114	548567 101	548685 101
548412 54, 55	548491 31, 33	548568 101	548686 101
548413 74	548493 10, 12	548569 101	548687 101
548414 84	548494 31	548570 101	548688 101
548415 75	548495 33	548571 101	548689 101
548417 20, 21, 22, 24	548496 12, 39, 41, 46	548572 101	548690 101
548419 101	548497 27, 88	548573 101	548705 35
548420 101	548499 116	548574 101	548706 35
548421 101	548503 49, 83, 84, 86	548575 101	548707 39
548422 101	548504 49, 83, 86	548576 101	548708 35
548423 101	548505 16, 90, 92, 104, 105	548577 101	548709 39
548424 101	548506 77	548579 90	548710 39
548425 101	548507 77	548580 90	548711 35
548426 101	548509 106	548581 90	548712 35
548427 102, 114	548510 43	548582 90	548714 86
548434 10, 12	548511 84	548598 74	548715 83
548435 59, 62	548515 82	548599 74	548716 33
548437 106	548517 84	548601 75	548717 33
548438 106	548519 31, 33, 35, 39, 42	548607 21	548718 116
548439 117	548520 37, 41	548608 21	548719 116
548440 118, 119	548521 16, 31, 33, 35, 37, 39,	548609 20	548720 116
548442 61	41, 42	548610 20	548721 116
548443 61	548522 16, 31, 33, 35, 37, 39,	548618 41	548722 116
548444 61	41, 42	548619 41	548723 116
548446 90	548523 16, 31, 33	548620 41	548724 117
548447 90	548524 33	548621 41	548725 117
548448 90	548526 42	548622 41	548726 117
548449 90	548532 68, 69, 70, 71, 72, 73	548623 37	548734 118, 119
548450 92	548533 37, 41	548624 37	548735 118, 119
548452 91	548534 47	548625 37	548736 118, 119
548453 91	548535 47	548626 37	548737 118, 119
548454 91	548536 47	548627 94	548738 118, 119
548455 91	548537 47	548628 94	548739 118, 119
548457 96, 98	548538 47	548629 94	548740 62
548458 22, 24	548539 47	548630 77	548742 104
548459 31	548540 47	548631 80	548743 105



548754	55	548855	20, 21, 22, 24	548957	79	549051	7, 9
548756	106	548857	100	548958	78	549052	7, 9
548757	49	548859	6, 8, 10, 12, 16, 29, 31,	548959	78	549053	7, 9
548758	33		33, 35, 37, 39, 41, 42, 44,	548989	90	549054	7, 9
548759	33		45, 49, 59, 61, 62, 63, 74,	548990	90	549055	7, 9
548760	49		75, 84, 88, 89, 92, 93	548991	90	549056	7, 9
548761	33	548861	102, 114	548997	12	549057	7, 9
548762	33	548862	6, 8, 10, 12, 74, 75, 82,	548998	12	549058	7, 9
548763	49		84, 100	548999	12	549059	7, 9
548764	33	548864	6, 8	549000	12	549060	7, 9
548765	33	548866	16, 31, 33, 35, 37, 39,	549001	12	549061	7, 9
548766	49		41, 42, 106	549002	12	549062	7, 9
548767	33	548868	31	549003	12	549063	7, 9
548768	33	548870	10, 12, 31, 33, 35, 37,	549004	12	549064	7, 9
548770	46		39, 41, 42, 46, 49, 64, 65,	549005	13	549065	7, 9
548771	46		66, 67, 74, 75, 93, 115	549006	13	549066	7, 9
548774	42	548872	46, 76	549007	13	549067	7, 9
548775	42	548875	100	549008	13	549068	7, 9
548778	45	548876	44, 45	549009	13	549069	7, 9
548779	44	548877	68, 69, 70, 71, 72, 73	549010	13	549070	7, 9
548783	93	548879	6, 8, 49	549011	13	549071	7, 9
548786	89	548881	43	549012	13	549072	7, 9
548787	69	548883	89	549013	13	549078	45
548788	73	548884	31	549014	13	549079	116
548789	70	548885	46	549015	13	549080	116
548790	71	548887	46	549016	13	549081	116
548791	71	548889	44, 45	549017	13	549082	116
548792	71	548890	31	549018	13	549083	116
548793	71	548893	93	549019	13	549084	117
548794	71	548894	93	549020	13	549085	117
548795	68	548895	56	549021	13	549086	117
548796	68	548896	56, 58	549022	10	549087	116
548797	68	548897	57	549023	10	549088	116
548798	68	548898	57	549024	10	549095	118, 119
548799	68	548929	88	549025	10	549096	118, 119
548800	72	548930	20	549026	10	549097	118, 119
548801	72	548933	21	549027	10	549098	118, 119
548802	72	548934	75	549028	10	549099	118, 119
548803	72	548935	119	549029	10	549100	118, 119
548804	72	548936	27	549030	10	549101	119
548820	91	548937	27	549031	11	549104	54, 55, 58
548821	91	548938	27	549032	11	549105	54, 55, 58
548822	91	548939	27	549033	11	549106	104, 105
548823	91	548940	27	549034	11	549107	104
548827	93	548941	27	549035	11	549108	105
548828	82	548942	27	549036	11	549116	49
548830	61	548943	49	549037	11	549117	33
548831	56	548944	37, 41	549038	11	549118	33
548832	57	548945	37, 41	549039	11	549119	49
548840	54, 55	548946	80	549040	11	549120	33
548841	56, 57, 58, 64, 65, 66,	548947	80	549041	11	549121	33
	67	548948	80	549042	11	549122	49
548842	104, 105	548949	80	549043	11	549123	33
548843	54, 55	548950	80	549044	11	549124	33
548844	59, 61, 62, 63	548951	80	549045	11	549125	49
548846	106	548952	79	549046	11	549126	33
548849	84	548953	79	549047	8, 84	549127	33
548852	31, 33, 35, 37, 39, 41,	548954	79	549048	6, 8	549128	46
	42	548955	79	549049	6, 9	549129	46
548854	94	548956	79	549050	6, 9	549130	41

549131 41  
549132 39  
549133 39  
549134 37  
549135 31  
549136 31  
549137 31  
549138 31  
549139 44  
549142 69, 70, 73  
549143 68, 71, 72  
549144 68, 71, 72  
549145 68, 71, 72  
549146 68, 71, 72  
549147 68, 71, 72  
549148 69, 70, 73  
549286 55  
549293 20  
549294 24  
549295 22  
549296 21  
549297 31  
549298 31  
549299 31  
549300 31  
549305 49  
549306 49  
549307 54  
549308 54  
549309 63  
549310 63  
549311 20, 21, 22, 24  
549317 88, 89  
549322 100  
549323 37, 41  
549324 6, 8, 14, 49, 110  
549325 16, 31, 33, 35, 37, 39,  
41, 42  
549326 62, 63, 113  
549327 10, 12, 16, 31, 33, 35,  
37, 39, 41, 42, 49, 93,  
115  
549329 6, 8, 49  
549330 37, 41, 59, 74, 84  
549331 75  
549333 84, 88, 89  
549335 6, 8, 29  
549336 92  
549337 8, 84  
549339 6, 8, 10, 12, 75, 82, 84  
549340 74  
549342 100  
549343 100  
549344 6, 8  
549346 102  
549347 114  
549348 61  
549350 99  
549351 44, 45  
549353 44, 45

549354 31, 33, 42  
549355 20, 21, 22, 24  
549356 20, 21, 22, 24  
549357 31, 33, 35, 37, 39, 41,  
42  
549358 68, 69, 70, 71, 72, 73  
549360 27, 116  
549361 68, 69, 70, 71, 72, 73  
549362 39, 41  
549363 39, 41  
549367 54, 55  
549369 61  
549372 37, 41  
549373 54, 55, 58, 67  
549376 106  
549377 106  
549378 31  
549379 22, 24  
549380 91  
549382 43, 50, 52, 56, 57, 64,  
65, 66, 67, 107, 108, 109,  
116, 117, 118, 119  
549384 106  
549386 20, 21, 22, 24  
549387 54, 55  
549388 44, 45  
549389 84, 100  
549390 59, 62, 63, 84  
549392 37, 41, 49  
549394 6, 8, 10, 12, 82, 84  
549395 84  
549396 20, 21, 22, 24  
549398 44, 45  
549399 31  
549400 31, 33, 35, 37, 39, 41,  
42  
549401 116, 117  
549409 49, 68, 69, 70, 71, 72,  
73, 83, 86  
549413 31, 33  
549414 10, 12  
549416 102, 114  
549417 102  
549418 6, 8, 49  
549419 106  
549420 106  
549423 6, 8, 29, 49, 59, 62, 63,  
74, 75, 84, 96, 99  
549425 74, 75  
549427 94  
549428 6, 8, 10, 12, 49, 75, 93  
549430 37, 41, 49, 75, 84  
549432 6, 8  
549433 75  
549434 16, 31, 75  
549435 33  
549436 35, 37, 39, 41, 42  
549438 74  
549439 54, 55, 58, 67  
549440 54, 55, 58, 67

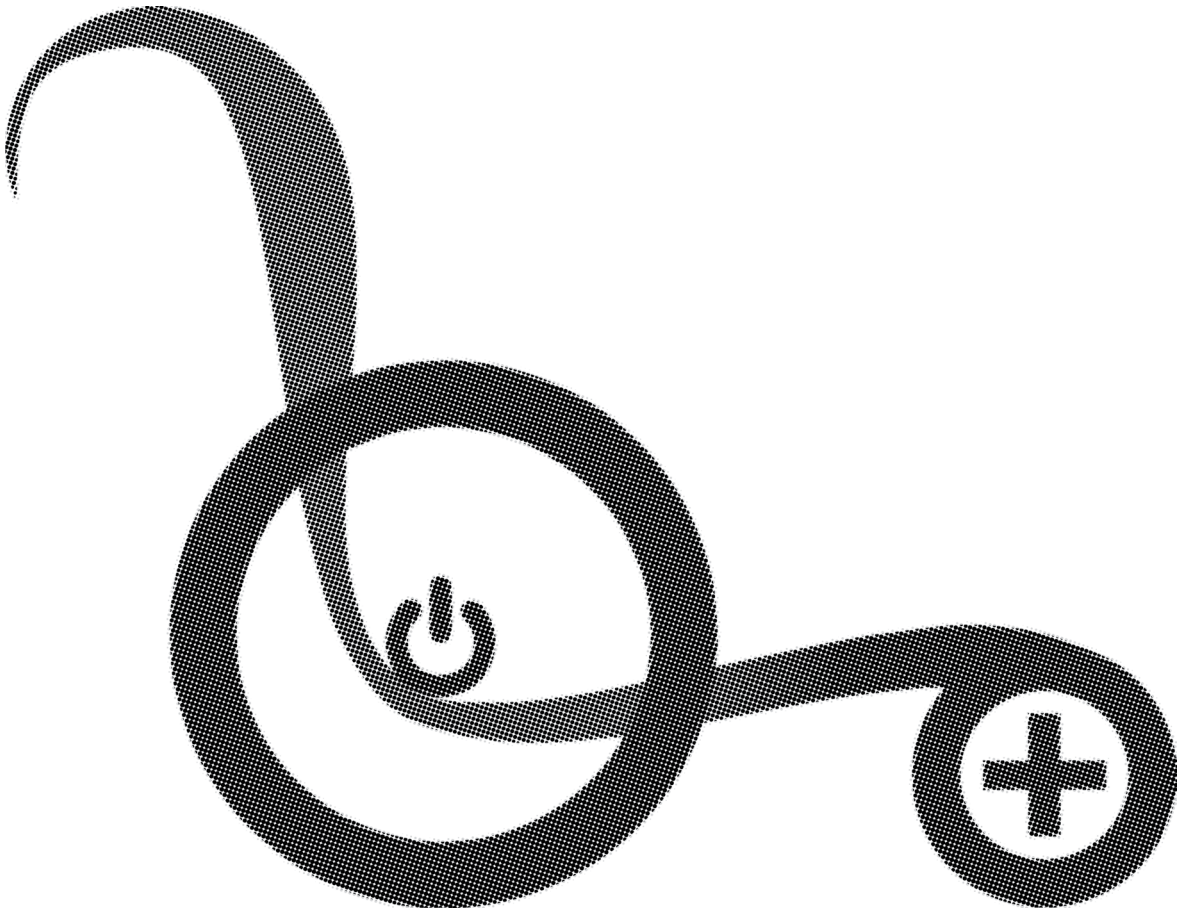
549471 101  
549472 101  
549473 101  
549474 101  
549475 101  
549476 101  
549477 101  
549478 101  
549479 101  
549480 101  
549481 101  
549482 101  
549502 96, 98  
549503 96  
549504 96  
549505 96  
549506 96  
549507 96  
549508 96  
549509 96  
549510 97  
549511 97  
549512 97  
549513 97  
549514 97  
549515 97  
549516 97  
549517 97  
549518 97  
549519 97  
549520 97  
549521 97  
549522 97  
549523 97  
549524 97  
549525 97  
549526 97  
549527 97  
549528 97  
549529 97  
549530 97  
549531 97  
549532 97  
549533 97  
549534 97  
549535 97  
549536 97  
549537 98  
549538 98  
549539 98  
549540 98  
549541 98  
549542 98  
549543 98  
549544 98  
549545 98  
549546 98  
549547 98  
549548 98  
549549 98

549550 99  
549551 99  
549552 99  
549553 99  
549554 99  
549555 102  
549594 33, 39, 41  
549595 33, 39, 41  
549623 110  
549636 27  
549637 27  
549638 27  
549639 27  
549640 27  
549641 27  
549642 27  
549643 27  
549644 27  
549645 27  
549646 27  
549647 27  
549648 27  
549649 27  
549650 22  
549651 22  
549652 22  
549653 22  
549654 22  
549655 22  
549656 22  
549657 23  
549658 23  
549659 23  
549660 23  
549661 23  
549662 23  
549663 23  
549664 23  
549665 23  
549666 24  
549667 24  
549668 24  
549669 24  
549670 24  
549671 24  
549672 24  
549673 25  
549674 25  
549675 25  
549676 25  
549677 25  
549678 25  
549679 25  
549680 25  
549681 25  
549682 108  
549683 108  
549684 108  
549685 108  
549686 108, 109

549687	108, 109	549747	14	549807	52	549867	112
549688	108, 109	549748	14	549808	52	549868	112
549689	108, 109	549749	14	549809	52	549869	112
549690	108, 109	549750	14	549810	52	549870	18
549691	108, 109	549751	14	549811	52	549871	18
549692	108, 109	549752	14	549812	52	549872	18
549693	108, 109	549753	14	549813	52	549873	18
549694	107, 109	549754	15	549814	52	549874	18
549695	113	549755	15	549815	52, 67	549875	18
549696	113	549756	15	549816	52, 67	549876	18
549697	113	549757	15	549817	52, 67	549877	18
549698	113	549758	15	549818	53	549878	18
549699	113	549759	15	549819	53	549879	18
549700	113	549760	15	549820	53	549880	18
549701	66	549761	15	549821	53	549881	18
549702	64, 65, 66, 67	549762	15	549822	53	549882	18
549703	64, 65, 66, 67	549763	15	549823	53	549883	18
549704	64	549764	15	549824	53	549884	18
549705	64	549765	15	549825	53	549885	18
549706	64	549766	15	549826	53	549886	18
549707	64	549767	15	549827	53	549887	18
549708	64, 65, 66, 67	549768	15	549828	53	549888	18
549709	64, 65, 66, 67	549769	15	549829	53	549889	18
549710	65	549770	15	549830	110	549890	18
549711	65	549771	15	549831	110	549891	18
549712	65	549772	15	549832	110	549892	19
549713	65	549773	15	549833	110	549893	19
549714	65	549774	15	549834	110	549894	19
549715	66	549775	15	549835	110	549895	19
549716	66	549776	50, 52	549836	110	549896	19
549717	66	549777	50, 52	549837	110	549897	19
549718	66	549778	50, 52	549838	110	549898	19
549719	67	549779	50, 52	549839	110	549899	19
549720	67	549780	50, 52	549840	110	549900	19
549721	67	549781	50, 52	549841	110	549901	19
549722	67	549782	50	549842	110	549902	19
549723	67	549783	50	549843	110	549903	19
549724	64	549784	50	549844	110	549904	19
549725	76	549785	50	549845	110	549905	19
549726	76	549786	50	549846	110	549906	19
549727	76	549787	50	549847	111	549907	19
549728	76	549788	50	549848	111	549908	19
549729	76	549789	50	549849	111	549909	19
549730	76	549790	50	549850	111	549910	19
549731	16	549791	50	549851	111	549911	19
549732	16	549792	50	549852	111	549912	19
549733	16	549793	50	549853	111	549913	19
549734	16	549794	51	549854	111	549914	19
549735	16	549795	51	549855	111	549915	19
549736	14	549796	51	549856	111	549916	19
549737	14	549797	51	549857	111	549917	19
549738	14	549798	51	549858	111	549918	19
549739	14	549799	51	549859	111	549919	19
549740	14	549800	51	549860	111	549920	19
549741	14	549801	51	549861	111	549921	19
549742	14	549802	51	549862	112	549922	19
549743	14	549803	51	549863	112	549923	19
549744	14	549804	51	549864	112	549924	19
549745	14	549805	51	549865	112	549925	19
549746	14	549806	52	549866	112	549926	19

549927 19  
549928 19  
549929 19  
549930 19  
549931 19  
549932 19  
549933 19  
549934 107  
549935 107  
549936 107  
549937 107  
549938 107  
549939 107  
549940 107  
549941 107  
549942 115  
549946 115  
549947 114  
549948 114  
549967 85  
549968 85  
549969 85  
549970 85  
549971 85  
549972 85  
549973 85  
549974 85  
549975 85  
549976 85  
549977 85  
549978 85  
549979 85  
549980 85  
549981 85  
549982 85  
549983 85  
549984 85  
549985 92  
549986 92  
549987 92  
549988 92  
549989 92  
549990 92  
549999 97  
550000 97  
550001 97  
550002 96  
550003 97  
550004 97  
550005 97  
550006 97  
550007 97  
550008 97  
550077 59  
550078 59  
550079 59  
550080 59  
550081 59  
550082 59  
550119 29

550120 58



EXTREME



**POWERPLUSMOBILITY.COM**

50 Malcolm Road | Guelph, ON | Canada N1K 1A9  
Telephone (519)-763-9976 | Fax (519)-837-1832